

For Residential and Commercial Applications

Job Name _____

Contractor _____

Job Location _____

Approval _____

Engineer _____

Contractor's P.O. No. _____

Approval _____

Representative _____

ThermalPro™ Hydraulic Separator

1½" BSP Threaded Connections

The ThermalPro™ Hydraulic Separator is designed to decouple the primary loop flow from the secondary, to impede particle and sediment movement through a system, and to act as a point of air removal.

Specifications

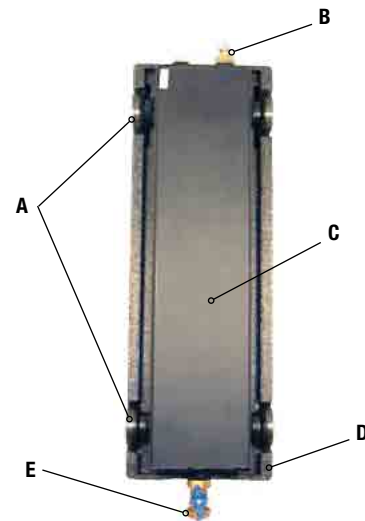
ThermalPro Hydraulic Separators are composed of a metal uni-body design with an integral vent and drain system. A polystyrene shell encompasses the entire Hydraulic Separator body reducing unwanted heat loss during operation.

Features

Each ThermalPro Hydraulic Separator comes standard with the following:

- Integrated male unions to connect to distribution panels
- Fully integrated supply and return arrangement
- Alternate return piping location for field flexibility
- Fully encompassing expanded polystyrene insulated enclosure

Tailpieces are required to transition between the ThermalPro Hydraulic Separator and the boiler supply or return line. Sets are available in either Sweat x BSP or FNPT x BSP. Not included with header.



- A BSP Union Connections
- B Air Vent and Aux Port
- C Main Body
- D Insulated Enclosure
- E Drain Valve

✓	ORDER #	DESCRIPTION
	81010375	22 GPM Hydraulic Separator
	81011865	44 GPM Hydraulic Separator
	81010373	1¼" FNPT x BSP Tailpiece Set (2)
	81010374	1¼" Sweat Union x BSP Tailpiece Set (2)
	81015246	2" FNPT x BSP Tailpiece Set (2)

⚠ CAUTION

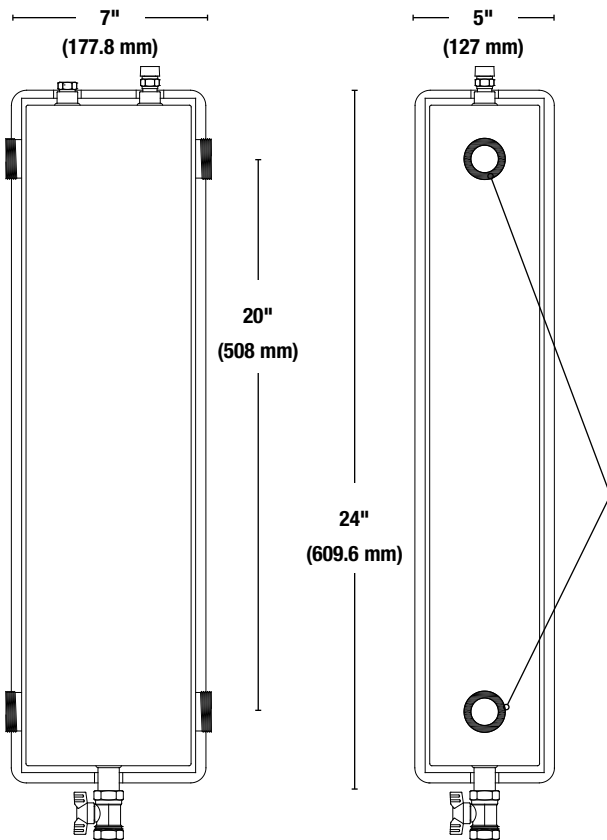
This Engineering Sheet is not intended to provide full installation instructions and safety information. In order to avoid property damage or injury, please refer to the complete installation manual and product safety information provided with the product.

⚠ WARNING

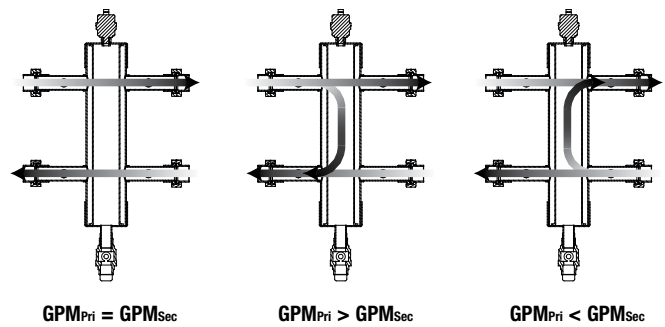
General Safety Instructions

THIS UNIT SHOULD BE INSTALLED ONLY BY QUALIFIED PERSONNEL!

Typical Dimensions

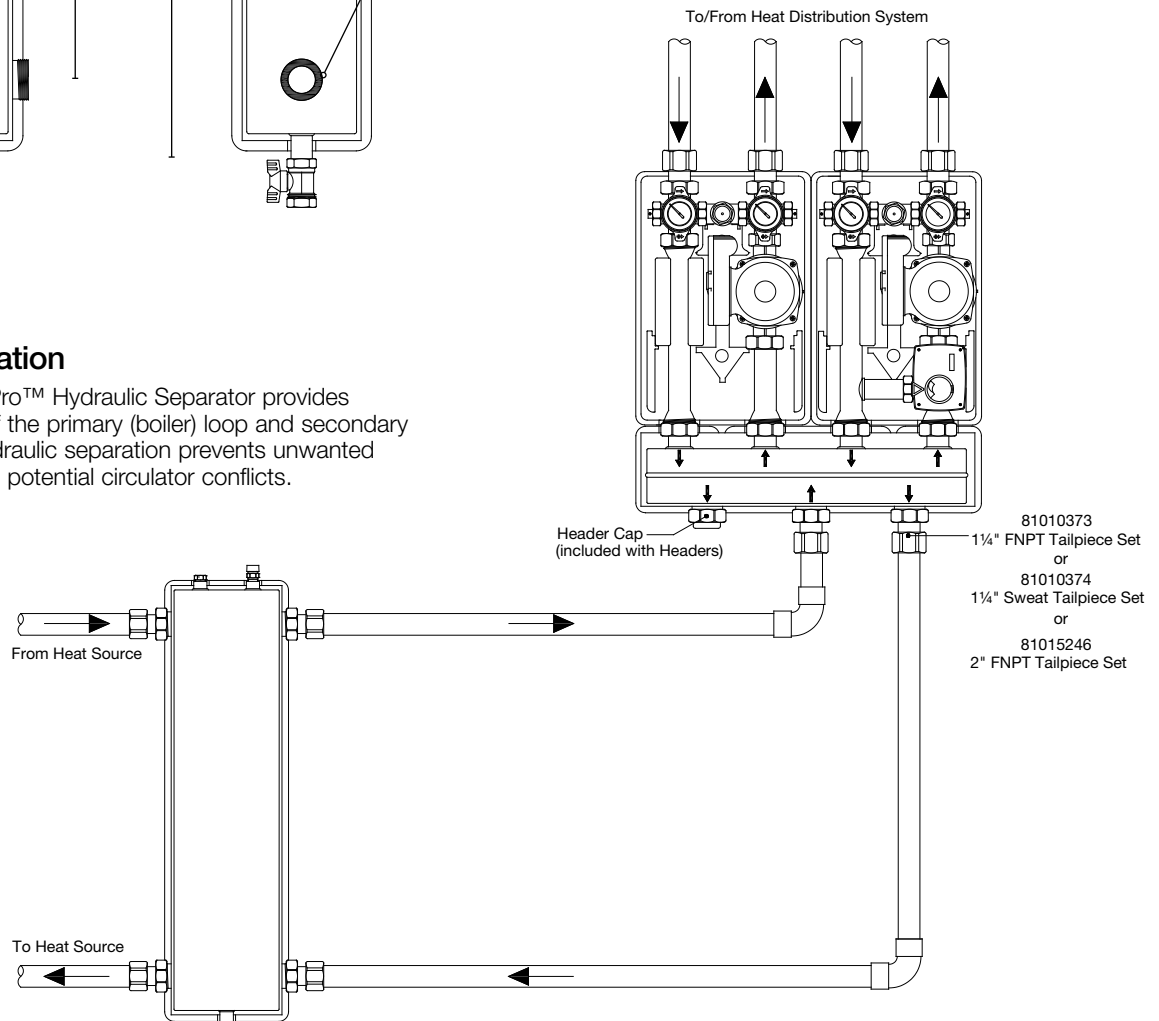


Performance Characteristics



Typical Configuration

The use of a ThermalPro™ Hydraulic Separator provides hydraulic separation of the primary (boiler) loop and secondary distribution zones. Hydraulic separation prevents unwanted circulator stacking and potential circulator conflicts.



USA: Tel: (800) 276-2419 • Fax: (417) 864-8161 • Watts.com
 Canada: Tel: (905) 332-4090 • Fax: (905) 332-7068 • Watts.ca
 Latin America: Tel: (62) 81-1001-8600 • Watts.com