

Job Name \_\_\_\_\_

Contractor \_\_\_\_\_

Job Location \_\_\_\_\_

Approval \_\_\_\_\_

Engineer \_\_\_\_\_

Contractor's P.O. No. \_\_\_\_\_

Approval \_\_\_\_\_

Representative \_\_\_\_\_

**LEAD FREE\*****AquaLock™**

# AquaLock™ Plastic Elbows

Watts AquaLock push-to-connect Elbows are designed and manufactured for many years of trouble free service. Produced of off white Polysulfone, a high performance thermal plastic material, the Watts AquaLock design allows for quick and easy connections without the use of installation tools.

## Specifications

Connection shall be made using Watts AquaLock Plastic fitting with Integral Collet and O-Ring guide. Fitting shall be able to fully rotate under pressure and allow for easy disconnect and reuse without the use of disconnection tools. Fitting must not disassemble to disconnect.

## Approvals

NSF-61, NSF-14, CSA B137.5, ASTM F877, UPC, ASSE 1061

## Ratings

100psi @ 180°F (6.8 bar @ 82°C)

250psi @ 75°F (17.3 bar @ 24°C)

## Example

3512-1008

35 = Plastic

12 = Hose Barb Elbow

1008 = 1/2" CTS x 1/2" Barb



3512



3517



3518



3521



3519



3520



### CAUTION

The polysulfone material used in the AquaLock™ fittings can be compromised by exposure to volatile organic compounds (VOC's) and caustic chemicals. Therefore, **DO NOT** expose this product to any such chemical or foreign substance, which would include exposure to the following products: **Pipe Dopes (thread sealants)**, bug sprays, lubricants, cleaners, paints, bleaches, acids, solder fluxes, plastic piping primers and cements, oxidizing agents, alkaline solutions, thinners, fuels, oil based caulks, hydrocarbons, spray foam or foaming agents (insulation).

It is also recommended that all threaded connections be made with Teflon® tape only.

### NOTICE

The information contained herein is not intended to replace the full product installation and safety information available or the experience of a trained product installer. You are required to thoroughly read all installation instructions and product safety information before beginning the installation of this product.

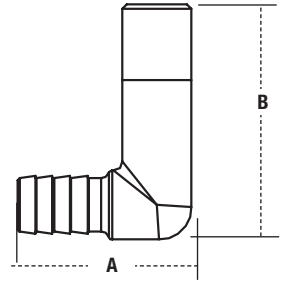
\*The wetted surface of this product contacted by consumable water contains less than 0.25% of lead by weight.

Watts product specifications in U.S. customary units and metric are approximate and are provided for reference only. For precise measurements, please contact Watts Technical Service. Watts reserves the right to change or modify product design, construction, specifications, or materials without prior notice and without incurring any obligation to make such changes and modifications on Watts products previously or subsequently sold.

**Dimensions – Weights** – Weight and Dimensions are approximate (tolerance +/- 1/8)

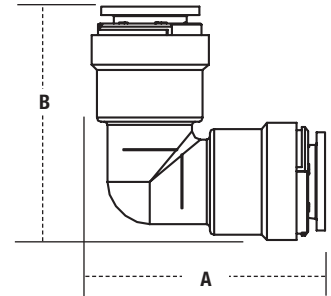
**Hose Barb Elbows**

MODEL	ORDERING CODE	SIZE & CONNECTION	ITEM LENGTH		ITEM HEIGHT		ITEM WEIGHT	
			in.	mm	in.	mm	oz.	gr.
<b>Package Type: Single Pack</b>								
3512-1008	0959472	1/2" CTS x 1/2" Barb	1 1/2	38	2 1/8	54	0.3	.14
<b>Package Type: Bulk Pack</b>								
3512-1008CP	81902902	1/2" CTS x 1/2" Barb	1 1/2	38	2 1/8	54	0.3	.14



**Elbow**

MODEL	ORDERING CODE	SIZE & CONNECTION	ITEM LENGTH		ITEM HEIGHT		ITEM WEIGHT	
			in.	mm	in.	mm	oz.	gr.
<b>Package Type: Single Pack</b>								
3517-08	0959035	3/8" CTS	1 3/4	44	1 5/16	24	0.6	.27
3517-10	0959087	1/2" CTS	2 1/8	54	1 1/8	29	1	.45
3517-14	0959138	3/4" CTS	2 1 1/16	68	1 3/8	35	1.8	.81
3517-18	0959300	1" CTS	3	76	1 1/2	38	2.4	1.09
<b>Package Type: Bulk Pack</b>								
3517-08CP	81902933	3/8" CTS	1 3/4	44	1 5/16	24	0.6	.27
3517-10CP	81902934	1/2" CTS	2 1/8	54	1 1/8	29	1	.45
3517-14CP	81902936	3/4" CTS	2 1 1/16	68	1 3/8	35	1.8	.81
3517-18CP	81902939	1" CTS	3	76	1 1/2	38	2.4	1.09

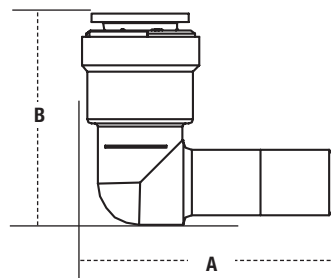


**Reducing Elbow**

MODEL	ORDERING CODE	SIZE & CONNECTION	ITEM LENGTH		ITEM HEIGHT		ITEM WEIGHT	
			in.	mm	in.	mm	oz.	gr.
<b>Package Type: Single Pack</b>								
3517R-1410	0959339	3/4" CTS x 1/2" CTS	2 1/2	63.5	1 1/4	31.75	1.4	0.63

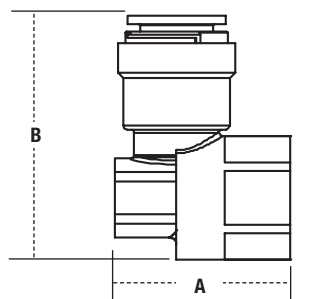
**Stackable Elbows**

MODEL	ORDERING CODE	SIZE & CONNECTION	ITEM LENGTH		ITEM HEIGHT		ITEM WEIGHT	
			in.	mm	in.	mm	oz.	gr.
<b>Package Type: Single Pack</b>								
3518-08	0959036	3/8" CTS	1 3/4	44	1 5/16	24	0.4	.18
3518-10	0959096	1/2" CTS	2	51	1 1/8	29	0.7	.32
3518-14	0959141	3/4" CTS	2 5/8	67	1 3/8"	35	0.8	.36
3518-18	0959794	1" CTS	3	76	1 3/4	45	1.9	.86
<b>Package Type: Bulk Pack</b>								
3518-08CP	81902940	3/8" CTS	1 3/4	44	1 5/16	24	0.4	.18
3518-10CP	81902941	1/2" CTS	2	51	1 1/8	29	0.7	.32
3518-14CP	81902943	3/4" CTS	2 5/8	67	1 3/8"	35	0.8	.36
3518-18CP	81902945	1" CTS	3	76	1 3/4	45	1.9	.86



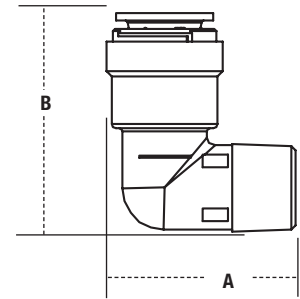
**Drop Ear Elbows**

MODEL	ORDERING CODE	SIZE & CONNECTION	ITEM LENGTH		ITEM HEIGHT		ITEM WEIGHT	
			in.	mm	in.	mm	oz.	gr.
<b>Package Type: Single Pack</b>								
3521-1008	0959092	1/2" CTS x 1/2" NPT	2 1/8	54	1 13/16	46	1.1	.50
<b>Package Type: Bulk Pack</b>								
3521-1008CP	81902958	1/2" CTS x 1/2" NPT	2 1/8	54	1 13/16	46	1.1	.50



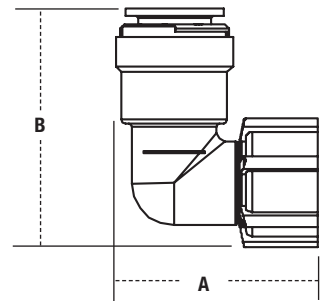
## Male Elbow

MODEL	ORDERING CODE	SIZE & CONNECTION	ITEM LENGTH		ITEM HEIGHT		ITEM WEIGHT		
			in.	mm	in.	mm	oz.	gr.	
<b>Package Type: Single Pack</b>									
3519-1006	0959089	1/2"CTS x 3/8"NPT	2	51	1 1/8	29	0.7	.32	
3519-1008	0959088	1/2" CTS x 1/2"NPT	2	51	1 1/8	29	0.7	.32	
3519-1412	0959791	3/4" CTS x 3/4"NPT	2 1/4	57.15	1 1/2	38.1	1	.45	
3519-1816	0959795	1" CTS x 1" NPT	2 3/4	70	1 3/4	45	1.9	.86	
<b>Package Type: Bulk Pack</b>									
3519-1006CP	81902947	1/2"CTS x 3/8"NPT	2	51	1 1/8	29	0.7	.32	
3519-1008CP	81902948	1/2" CTS x 1/2"NPT	2	51	1 1/8	29	0.7	.32	
3519-1816CP	81902949	1" CTS x 1"NPT	2 3/4	70	1 3/4	45	1.9	.86	



## Female Swivel Elbows

MODEL	ORDERING CODE	SIZE & CONNECTION	ITEM LENGTH		ITEM HEIGHT		ITEM WEIGHT		
			in.	mm	in.	mm	oz.	gr.	
<b>Package Type: Single Pack</b>									
3520-0808	0959037	3/8" CTS x 1/2"NPS	2	51	1 5/8	41	0.7	.32	
3520-0813	0959043	3/8" CTS x 3/4" Closet	2	51	1 5/8	41	0.8	.36	
3520-1008	0959090	1/2" CTS x 3/4"NPS	2 3/16	56	2	51	1	.45	
3520-1012	0959091	1/2" CTS x 3/4"NPS	2 3/16	56	2	51	1.2	.54	
3520-1013	0959093	1/2" CTS x 3/4" Closet	2 3/16	56	2	51	1.1	.50	
3520-1014	0959293	1/2" CTS x 3/4" FGHT	2 3/16	56	2	51	1	.45	
3520-1412	0959792	3/4" CTS x 3/4"NPS	2 3/16	56	2	51	1	.45	
<b>Package Type: Bulk Pack</b>									
3520-0808CP	81902950	3/8" CTS x 1/2"NPS	2	51	1 5/8	41	0.7	.32	
3520-1008CP	81902952	1/2" CTS x 1/2"NPS	2 3/16	56	2	51	1	.45	
3520-1012CP	81902955	1/2" CTS x 3/4"NPS	2 3/16	56	2	51	1.2	.54	
3520-1014CP	81902957	1/2" CTS x 3/4" FGHT	2 3/16	56	2	51	1	.45	



USA: T: (978) 689-6066 • F: (978) 975-8350 • Watts.com  
 Canada: T: (905) 332-4090 • F: (905) 332-7068 • Watts.ca  
 Latin America: T: (52) 55-4122-0138 • Watts.com