

Engineering Specification

Job Name _____

Contractor _____

Job Location _____

Approval _____

Engineer _____

Contractor's P.O. No. _____

Approval _____

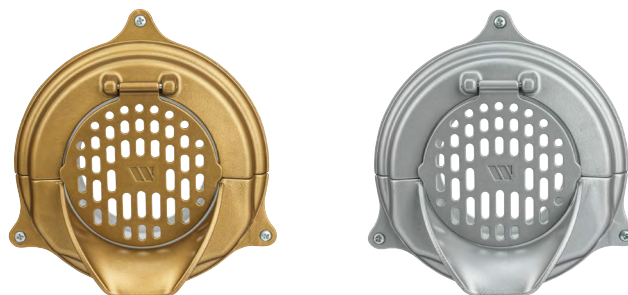
Representative _____

RDA-940 Wallflower™ Downspout Nozzle Specification

Watts RDA-940 cast aluminum Wallflower™ Downspout Nozzle with integrated wall flange and vandal proof screws for universal gasketed connection for cast iron, PVC, and IPS pipe. Integral perforated hinged bird screen and powder-coated finish.

Color Options: Nickel Bronze, Silver, Red

Call customer service if you need assistance with technical details.

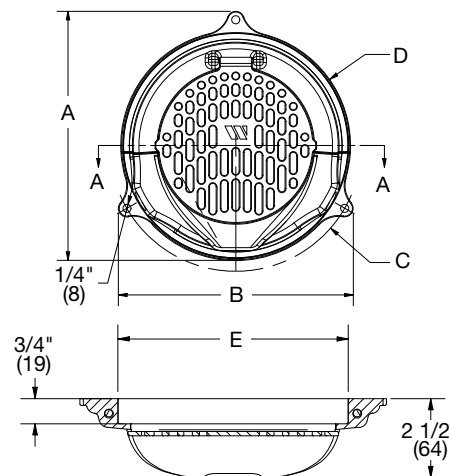


Nickel Bronze

Silver



Red Brick



Model No.	Order No.	Outlet Size	Qty.
RDA-943-NB	8201015	3"(76)	<input type="checkbox"/>
RDA-944-NB	8201016	4"(102)	<input type="checkbox"/>
RDA-946-NB	8201017	6"(152)	<input type="checkbox"/>
RDA-948-NB	8201018	8"(203)	<input type="checkbox"/>
RDA-943-SL	8201383	3"(76)	<input type="checkbox"/>
RDA-944-SL	8201384	4"(102)	<input type="checkbox"/>
RDA-946-SL	8201385	6"(152)	<input type="checkbox"/>
RDA-948-SL	8201386	8"(203)	<input type="checkbox"/>
RDA-943-RD	8201387	3"(76)	<input type="checkbox"/>
RDA-944-RD	8201388	4"(102)	<input type="checkbox"/>
RDA-946-RD	8201389	6"(152)	<input type="checkbox"/>
RDA-948-RD	8201390	8"(203)	<input type="checkbox"/>

Model	Pipe Size	A	B	C	D	E
RDA-943	3"(76)	6 1/2"(165)	6 3/8"(162)	6 1/2"(165)	5 3/4"(146)	3 3/4"(95)
RDA-944	4"(102)	7 1/2"(191)	7 1/4"(184)	7 1/2"(191)	6 3/4"(171)	4 3/4"(120)
RDA-946	6"(152)	9 1/2"(241)	9"(229)	9 1/2"(241)	8 3/4"(222)	6 3/4"(171)
RDA-948	8"(203)	11 1/2"(292)	10 3/4"(273)	11 1/2"(292)	10 3/4"(273)	8 3/4"(222)

NB Multi-Packs			
Model No.	Order No.	Outlet Size	Qty.
RDA-943-NB-5PK	8201562	3"(76)	<input type="checkbox"/>
RDA-944-NB-5PK	8201563	4"(102)	<input type="checkbox"/>
RDA-946-NB-5PK	8201564	6"(152)	<input type="checkbox"/>
RDA-943-NB-10PK	8201566	3"(76)	<input type="checkbox"/>
RDA-944-NB-10PK	8201567	4"(102)	<input type="checkbox"/>
RDA-946-NB-10PK	8201568	6"(152)	<input type="checkbox"/>

NOTICE

The information contained herein is not intended to replace the full product installation and safety information available or the experience of a trained product installer. You are required to thoroughly read all installation instructions and product safety information before beginning the installation of this product.

Watts product specifications in U.S. customary units and metric are approximate and are provided for reference only. For precise measurements, please contact Watts Technical Service. Watts reserves the right to change or modify product design, construction, specifications, or materials without prior notice and without incurring any obligation to make such changes and modifications on Watts products previously or subsequently sold.

