

Engineering Specification

Job Name _____
 Job Location _____
 Engineer _____
 Approval _____

Contractor _____
 Approval _____
 Contractor's P.O. No. _____
 Representative _____

RD-350 Combination Primary and Overflow Roof Drain

Specification

Watts RD-350 epoxy coated cast iron dual outlet roof drain/ overflow with flashing clamp, integral gravel stop, 4 1/2" high internal overflow standpipe, secured ductile iron dome, and no hub outlet(s) standard.

Call customer service if you need assistance with technical details.



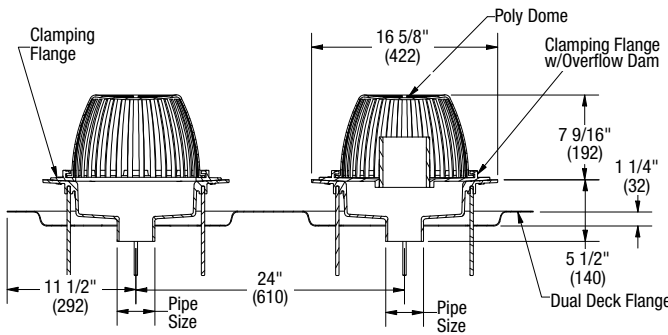
Pipe Sizing	
Suffix	Description
2	2"(51) Pipe Size (NH Only) <input type="checkbox"/>
3	3"(76) Pipe Size <input type="checkbox"/>
4	4"(102) Pipe Size <input type="checkbox"/>
5	5"(127) Pipe Size (NH Only) <input type="checkbox"/>
6	6"(152) Pipe Size <input type="checkbox"/>
8	8"(203) Pipe Size <input type="checkbox"/>
10	10"(254) Pipe Size (NH Only) <input type="checkbox"/>

Outlet Type	
Suffix	Description
NH	No Hub (MJ) <input type="checkbox"/>
P	Push On <input type="checkbox"/>
X	Inside Caulk <input type="checkbox"/>

Free Area Sq. In.
274

Deck Opening Two
18"(457)

Options	
Suffix	Description
-13	Galvanized Body & Clamp <input type="checkbox"/>
-D	Underdeck Clamp <input type="checkbox"/>
-F2	Dual Flange (Standard) <input type="checkbox"/>
-GSS	Stainless Steel Ballast Guard <input type="checkbox"/>
-K	Ductile Iron Dome <input type="checkbox"/>
-K13	Galvanized Dome <input type="checkbox"/>
-K40	Ductile Iron Low Dome (4" High) <input type="checkbox"/>
-K80	Aluminum Dome <input type="checkbox"/>
-K81	Rough Bronze Dome <input type="checkbox"/>
-K83	SS Mesh Covered Dome <input type="checkbox"/>
-L	Vandal Proof Dome <input type="checkbox"/>
-R	2" External Water Dam <input type="checkbox"/>
-SSH	Stainless Steel Hardware <input type="checkbox"/>
-85	IRMA Perf. SS Extension <input type="checkbox"/>



NOTICE

The information contained herein is not intended to replace the full product installation and safety information available or the experience of a trained product installer. You are required to thoroughly read all installation instructions and product safety information before beginning the installation of this product.

Watts product specifications in U.S. customary units and metric are approximate and are provided for reference only. For precise measurements, please contact Watts Technical Service. Watts reserves the right to change or modify product design, construction, specifications, or materials without prior notice and without incurring any obligation to make such changes and modifications on Watts products previously or subsequently sold.

