

# Series 07F, SS07F

## Single Check Valves

Sizes 4" – 10"

### 07F Repair Kits

When ordering specify Ordering Code, Kit No., and Valve Size.

ORDERING CODE	KIT NO.	SIZE
<b>Rubber Parts Kits</b>		
0887105	RK 07F RT	4"
0887106	RK 07F RT	6"
0887107	RK 07F RT	8"

Kit consists of: cover O-ring, bolt O-ring, disc and bracket.

### Check Kits

LEAD FREE	0887110	RK 07F CK4	8"
-----------	---------	------------	----

Kit consists of: spring assembly and cover O-ring.

### Seat Kits

0887111	RK 07F S	4"
---------	----------	----

Kit consists of: seat, seat O-ring and cover O-ring.

### Total Repair Kits

LEAD FREE	0887114	RK 07F T	4"
0887116	RK 07F T	8"	

Kit consists of: spring assembly, disc and bracket, bolt O-rings and cover O-ring.

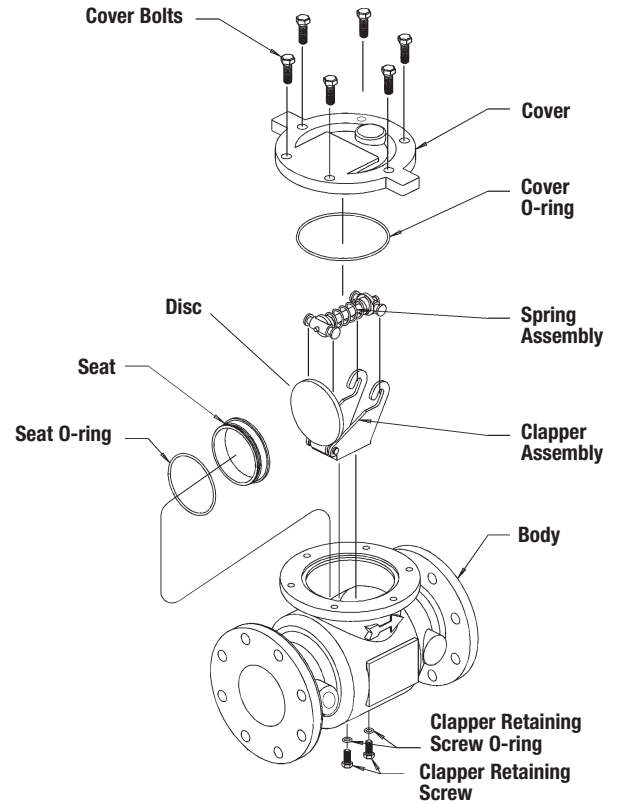
### SS07F Repair Kits

#### Check Kits

LEAD FREE	0888940	RK SS07F CK	4"
0888941	RK SS07F CK	6"	
0888942	RK SS07F CK	8", 10"	

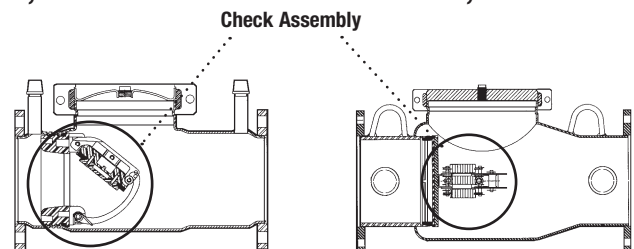
Kit consists of: complete check assembly.

### 4" – 8" 07F



### 4", 6" SS07F

### 8", 10" SS07F



\*The wetted surface of this product contacted by consumable water contains less than 0.25% of lead by weight.