

Engineering Specification

Job Name _____ Contractor _____

Job Location _____ Approval _____

Engineer _____ Contractor's P.O. No. _____

Approval _____ Representative _____

RD-100-F Large Area Roof Drain with Adjustable Extension Flange Specification

Watts RD-100-F epoxy coated cast iron roof drain with flashing clamp with integral gravel stop, reversible zinc plated steel adjustable extension flange, self-locking polyethylene dome, and no hub outlet.

Call customer service at 1- (800) 338-2581 if you need assistance with table details.

Pipe Sizing	
Suffix	Description
2	2"(51) Pipe Size
3	3"(76) Pipe Size
4	4"(102) Pipe Size
5	5"(127) Pipe Size
6	6"(152) Pipe Size
8	8"(203) Pipe Size

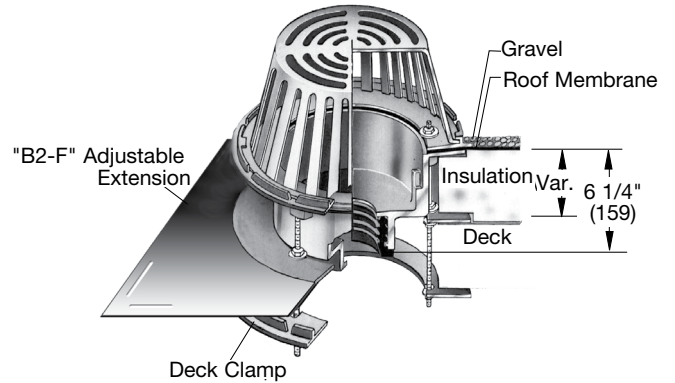
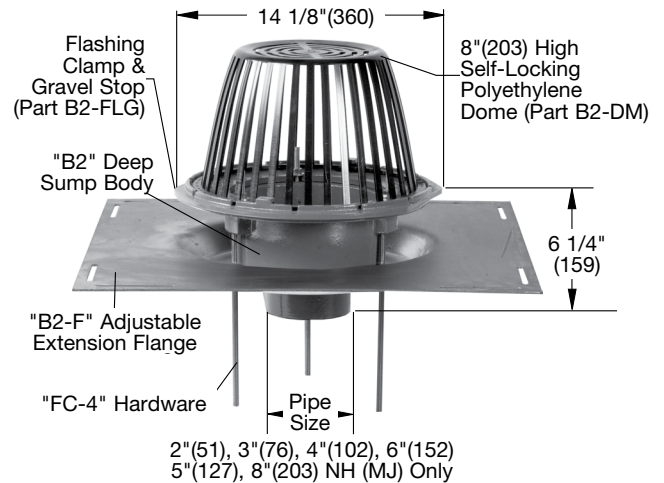
Outlet Type	
Suffix	Description
NH	No Hub (MJ)
P	Push On
T	Threaded Outlet
X	Inside Caulk

Optional Body Material (NH Only)	
Suffix	Description
-60	PVC Body w/Socket Outlet
-61	ABS Body w/Socket Outlet

Options	
Suffix	Description
-13	All Galvanized
-A	Accutrol Flow Restrictor
-D	Underdeck Clamp
-GSS	Stainless Steel Ballast Guard
-K	Ductile Iron Dome
-K13	Galvanized Dome
-K40	Ductile Iron Dome Low Dome (4" high)
-K80	Aluminum Dome
-83	Mesh Covered Dome
-L	Vandal Proof Dome
-R	2" External Water Dam
-W	Adjustable Internal Water Dam
-Z	Elastomeric Flange

Free Area Sq. In.
137

Recommended Deck Opening
14" (356)



NOTICE

The information contained herein is not intended to replace the full product installation and safety information available or the experience of a trained product installer. You are required to thoroughly read all installation instructions and product safety information before beginning the installation of this product.

Watts product specifications in U.S. customary units and metric are approximate and are provided for reference only. For precise measurements, please contact Watts Technical Service. Watts reserves the right to change or modify product design, construction, specifications, or materials without prior notice and without incurring any obligation to make such changes and modifications on Watts products previously or subsequently sold.



USA: T: (800) 338-2581 • Watts.com
 Canada: T: (888) 208-8927 • Watts.ca
 Latin America: T: (52) 55-4122-0138 • Watts.com