

Engineering Specification

Job Name _____

Contractor _____

Job Location _____

Approval _____

Engineer _____

Contractor's P.O. No. _____

Approval _____

Representative _____

Tag _____

RD-100-CP Large Area IRMA Roof Drain with 12" x 12" Promenade Top Specification

Watts RD-100-CP epoxy coated ductile iron roof drain with deep sump, wide serrated flashing flange, membrane clamp, square adjustable lacquered cast iron collar with square epoxy coated locking type ductile iron grate with 3/8"(10) maximum width drainage slots.

Call customer service at 1- (888) 208-8927 if you need assistance with table details.

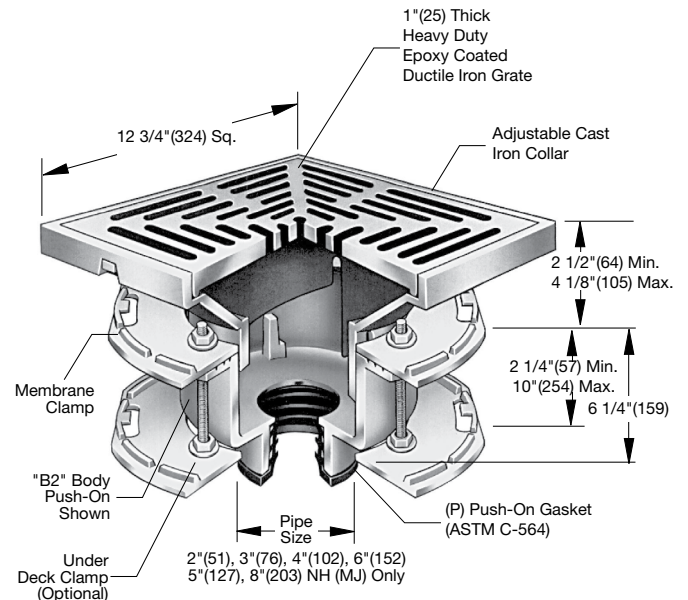
Pipe Sizing	
Suffix	Description
2	2"(51) Pipe Size
3	3"(76) Pipe Size
4	4"(102) Pipe Size
5	5"(127) Pipe Size
6	6"(152) Pipe Size
8	8"(203) Pipe Size

Outlet Type	
Suffix	Description
NH	No Hub (MJ)
P	Push On
T	Threaded Outlet
X	Inside Caulk

Grate	
Suffix	Description
-1	Nickel Bronze
-3	Stainless Steel
-4	Ductile Iron

Optional Body Material (NH Only)	
Suffix	Description
-60	PVC Body w/Socket Outlet
-61	ABS Body w/Socket Outlet

Options	
Suffix	Description
-A	Accutrol Weir (Specify # 1-6 Slots)
-B	Sump Receiver Flange
-BED	Sump Receiver, Adj. Ext., Deck Clamp
-C	Secondary Membrane Clamp
-D	Underdeck Clamp
-E	Adjustable Extension
-GSS	Stainless Steel Ballast Guard
-H	Adj. to 6" IRMA Ballast Guard
-R	2" High External Water Dam
-SO	Side Outlet **
-V	Fixed Extension (1 1/2", 2", 3", 4")
-W	Adj. Water Level Regulator
-W-1	Waterproofing Flange
-Z	Extended Integral Wide Flange
-5	Sediment Bucket
-6	Vandal Proof Top
-9	Hinged Grate
-10	Secured Top
-12	Galvanized Top
-13	All Galvanized
-113M	Special Epoxy from 3M Range



**Free Area
Sq. In.**
137

**Deck Opening 10"(254)
with Sump Receiver 13 1/4"(337)**

NOTICE

The information contained herein is not intended to replace the full product installation and safety information available or the experience of a trained product installer. You are required to thoroughly read all installation instructions and product safety information before beginning the installation of this product.

Watts product specifications in U.S. customary units and metric are approximate and are provided for reference only. For precise measurements, please contact Watts Technical Service. Watts reserves the right to change or modify product design, construction, specifications, or materials without prior notice and without incurring any obligation to make such changes and modifications on Watts products previously or subsequently sold.



USA: T: (800) 338-2581 • Watts.com
Canada: T: (888) 208-8927 • Watts.ca
Latin America: T: (52) 55-4122-0138 • Watts.com