

Engineering Specification

Job Name _____
 Job Location _____
 Engineer _____
 Approval _____
 Tag _____

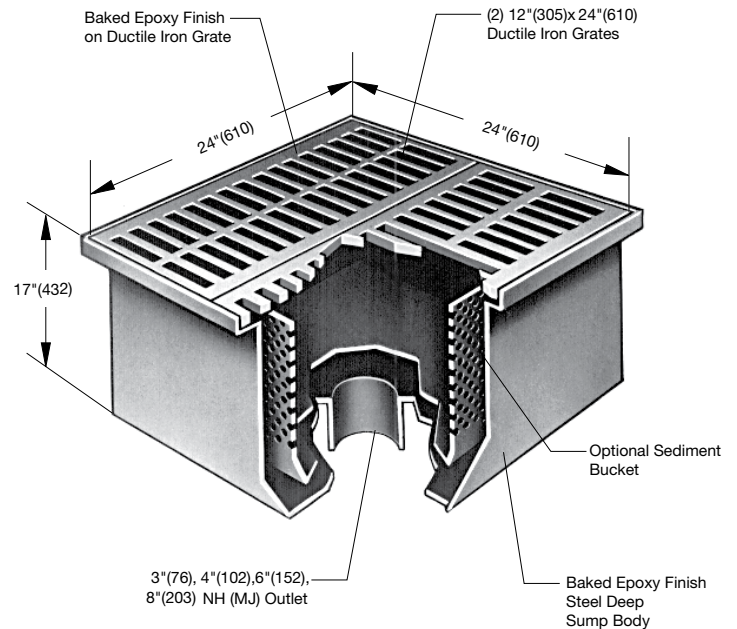
Contractor _____
 Approval _____
 Contractor's P.O. No. _____
 Representative _____

FD-540 Heavy Duty Floor Drain with Bottom Outlet Specification

Watts FD-540 epoxy coated side outlet floor drain with epoxy coated fabricated steel body and extra heavy duty 12"x24"(305x610) two section ductile iron (standard) grate.

Pipe Sizing	
Suffix	Description
2	2"(51) Pipe Size
3	3"(76) Pipe Size
4	4"(102) Pipe Size
6	6"(152) Pipe Size

Options	
Suffix	Description
-C	Membrane Clamp
-5	Sediment Bucket
-6	Vandal Proof
-10	Secured Top /w Phillips Screws
-12	Galvanized Top
-13	All Galvanized
-28	All 304 Stainless Steel (CF9)
-31	Flange



Load Rating & Free Area	
Load Rating	Free Area Sq. In.
*XHD	208

NOTICE

* The load classifications are in accordance with the American National Standards ASME A112.21.1M ASME Ratings are as follows:
 XHD - Safe Live Load 7500-10000 lbs.(3375-4500kg)
 The above categories are given as a guide only.
 Please consult factory.

NOTICE

The information contained herein is not intended to replace the full product installation and safety information available or the experience of a trained product installer. You are required to thoroughly read all installation instructions and product safety information before beginning the installation of this product.

Watts product specifications in U.S. customary units and metric are approximate and are provided for reference only. For precise measurements, please contact Watts Technical Service. Watts reserves the right to change or modify product design, construction, specifications, or materials without prior notice and without incurring any obligation to make such changes and modifications on Watts products previously or subsequently sold.



USA: T: (800) 338-2581 • Watts.com
Canada: T: (888) 208-8927 • Watts.ca
Latin America: T: (52) 55-4122-0138 • Watts.com