

# Engineering Specification

Job Name \_\_\_\_\_ Contractor \_\_\_\_\_

Job Location \_\_\_\_\_ Approval \_\_\_\_\_

Engineer \_\_\_\_\_ Contractor's P.O. No. \_\_\_\_\_

Approval \_\_\_\_\_ Representative \_\_\_\_\_

Tag \_\_\_\_\_

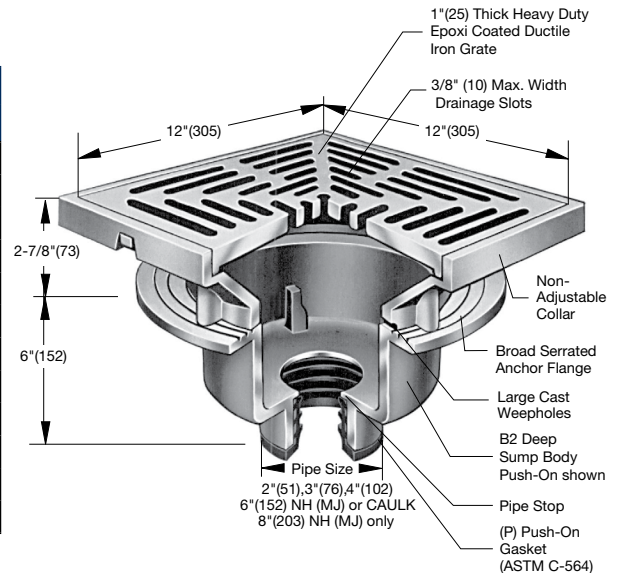
## FD-460-F Area Drain with 12" Square Fixed Top Specification

Watts FD-460-F epoxy coated cast iron area drain with anchor flange, weepholes, 12"x12"(305x305) fixed top with ductile iron (standard) tractor grate, no hub (MJ) (standard) outlet.

Pipe Sizing		Options	
Suffix	Description	Suffix	Description
2	2"(51) Pipe Size	-5	Sediment Bucket
3	3"(76) Pipe Size	-6	Vandal Proof
4	4"(102) Pipe Size	-7	Trap Primer Tapping
6	6"(152) Pipe Size	-8	Backwater Valve" (3, 4" Only)
8	8"(203) Pipe Size	-9	Hinged Grate
		-10	Secured Top c/w Phillips screws
		-12	Galvanized Top
		-13	All Galvanized
		-34	Closure Plug
		-113M	Special Epoxy from 3M Range
		-S0	Side Outlet
		-Z	Elastomeric Flange

Outlet Type	
Suffix	Description
NH	No Hub (MJ)
P	Push On
T	Threaded Outlet
X	Inside Caulk



Grate	
Suffix	Description
F-1	12"x12"(305x305), Nickel Bronze
F-3	12"x12"(305x305), S.S. Veneer
F-4	12"x12"(305x305), Ductile Iron

Optional Body Material	
Suffix	Description
-60	PVC Body w/Socket Outlet
-61	ABS Body w/Socket Outlet

Load Rating & Free Area		
Suffix	Load Rating	Free Area Sq. In.
F-1	*XHD	41
F-3	*XHD	41
F-4	*XHD	41

**NOTICE**

The information contained herein is not intended to replace the full product installation and safety information available or the experience of a trained product installer. You are required to thoroughly read all installation instructions and product safety information before beginning the installation of this product.

**NOTICE**

\* The load classifications are in accordance with the American National Standards ASME A112.21.1M ASME Ratings are as follows:  
 XHD - Safe Live Load 7500-10000 lbs.(3375-4500kg)  
 The above categories are given as a guide only.  
 Please consult factory.

Watts product specifications in U.S. customary units and metric are approximate and are provided for reference only. For precise measurements, please contact Watts Technical Service. Watts reserves the right to change or modify product design, construction, specifications, or materials without prior notice and without incurring any obligation to make such changes and modifications on Watts products previously or subsequently sold.



**USA:** T: (800) 338-2581 • Watts.com  
**Canada:** T: (888) 208-8927 • Watts.ca  
**Latin America:** T: (52) 55-4122-0138 • Watts.com