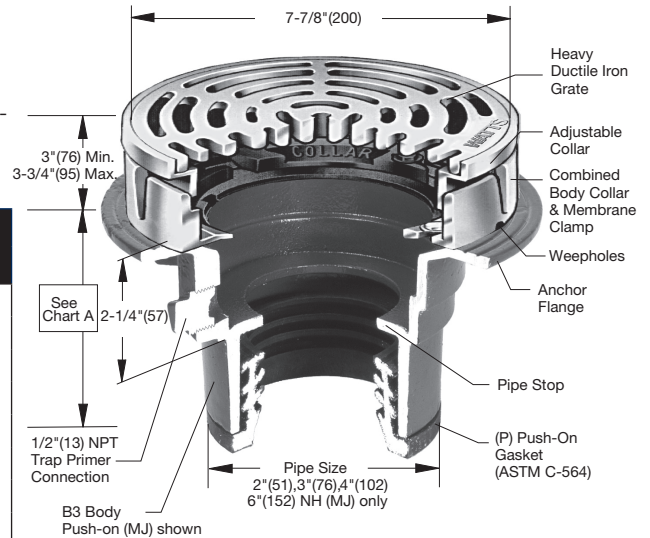


Engineering Specification

Job Name _____ Contractor _____
 Job Location _____ Approval _____
 Engineer _____ Contractor's P.O. No. _____
 Approval _____ Representative _____
 Tag _____

FD-320 Area Drain with 8" Adjustable Top Specification

Watts FD-320 epoxy coated cast iron area drain with anchor flange, membrane clamp with weepholes, 8"(203) diameter adjustable top with ductile iron (standard) tractor grate, and no hub (MJ) (standard) outlet.



Pipe Sizing		
Suffix	Description	
2	2"(51) Pipe Size	<input type="checkbox"/>
3	3"(76) Pipe Size	<input type="checkbox"/>
4	4"(102) Pipe Size	<input type="checkbox"/>
6	6"(152) Pipe Size	<input type="checkbox"/>

Outlet Type		
Suffix	Description	
NH	No Hub (MJ)	<input type="checkbox"/>
P	Push On	<input type="checkbox"/>
T	Threaded Outlet	<input type="checkbox"/>
X	Inside Caulk	<input type="checkbox"/>

Optional Body Material		
Suffix	Description	
-60	PVC Body w/Socket Outlet	<input type="checkbox"/>
-61	ABS Body w/Socket Outlet	<input type="checkbox"/>

Options		
Suffix	Description	
-5	Sediment Bucket	<input type="checkbox"/>
-6	Vandal Proof	<input type="checkbox"/>
-8	Backwater Valve (3, 4" Only)	<input type="checkbox"/>
-12	Galvanized Top	<input type="checkbox"/>
-13	All Galvanized	<input type="checkbox"/>
-15	Strainer Extension (DD-50)	<input type="checkbox"/>
-113M	Special Epoxy from 3M Range	<input type="checkbox"/>
-F4-50	4" Round Cast Iron Funnel	<input type="checkbox"/>
-F4-1	4" Round Nickel Bronze Funnel	<input type="checkbox"/>
-F6-1	6" Round Nickel Bronze Funnel	<input type="checkbox"/>
-G-50	4x9" Oval Cast Iron Funnel	<input type="checkbox"/>
-G-1	4x9" Oval Nickel Bronze Funnel	<input type="checkbox"/>
-Z	Elastomeric Flange	<input type="checkbox"/>

Load Rating & Free Area		
Max.	Load Rating	Free Area Sq. In.
Y-1	*XHD	15
Y-4	*XHD	15

Chart A					
Pipe Size	Std. No Hub	P Push On	T Female Thread	X Inside Caulk	60/61 PVC/ABS
2"(51)	3 5/8"(92)	4-1/4"(108)	4-1/4"(108)	4-1/2"(114)	3-3/4"(95)
3"(76)	3 5/8"(92)	4-1/4"(108)	4-1/4"(108)	4-1/2"(114)	3-3/4"(95)
4"(102)	3 5/8"(92)	4-1/4"(108)	4-1/4"(108)	4-1/2"(114)	4"(102)
6"(152)	3-1/2"(89)				

NOTICE
 The information contained herein is not intended to replace the full product installation and safety information available or the experience of a trained product installer. You are required to thoroughly read all installation instructions and product safety information before beginning the installation of this product.

NOTICE
 * The load classifications are in accordance with the American National Standards ASME A112.21.1M ASME Ratings are as follows:
 XHD - Safe Live Load 7500-10000 lbs.(3375-4500kg)
 The above categories are given as a guide only.
 Please consult factory.

Watts product specifications in U.S. customary units and metric are approximate and are provided for reference only. For precise measurements, please contact Watts Technical Service. Watts reserves the right to change or modify product design, construction, specifications, or materials without prior notice and without incurring any obligation to make such changes and modifications on Watts products previously or subsequently sold.



USA: T: (800) 338-2581 • Watts.com
 Canada: T: (888) 208-8927 • Watts.ca
 Latin America: T: (52) 55-4122-0138 • Watts.com