

Engineering Specification

Job Name _____
 Job Location _____
 Engineer _____
 Approval _____

Contractor _____
 Approval _____
 Contractor's P.O. No. _____
 Representative _____

FD-1100-M-LR Floor Drain with Ligature Resistant Square Strainer

Specification

Watts FD-1100-M-LR epoxy coated cast iron drain body and anchor flange with fabricated stainless steel ligature resistant strainer. No hub (standard) outlet and vandal proof screws standard.



Call customer service if you need assistance with technical details.

Pipe Sizing			Options		
Suffix	Description		Suffix	Description	
2	2"(51) Pipe Size	<input type="checkbox"/>	-5	Sediment Bucket	<input type="checkbox"/>
3	3"(76) Pipe Size	<input type="checkbox"/>	-6	Vandal Proof	<input type="checkbox"/>
4	4"(102) Pipe Size	<input type="checkbox"/>	-7	Trap Primer Tapping	<input type="checkbox"/>
6	6"(152) Pipe Size (NH Only)	<input type="checkbox"/>	-8	Backwater Valve (2, 3, 4" Only)	<input type="checkbox"/>
Outlet Type			-13	Galvanized Body	<input type="checkbox"/>
Suffix	Description		-15	Strainer Extension (DD-50)	<input type="checkbox"/>
NH	No Hub (MJ)	<input type="checkbox"/>	-28	304SS Body & Grate	<input type="checkbox"/>
P	Push On	<input type="checkbox"/>	-S0	Side Outlet	<input type="checkbox"/>

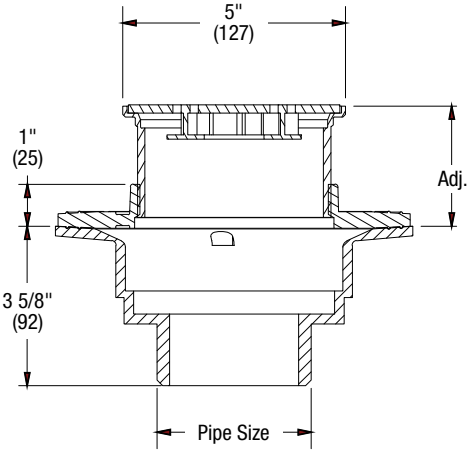


Chart B

Pipe Size	Strainer	
	Std. No Hub	P Push On
2"(51)	3-5/8"(92)	4 1/4"(108)
3"(76)	3-5/8"(92)	4 1/4"(108)
4"(102)	3-5/8"(92)	4 1/4"(108)
6"(152)	3-1/2"(89)	-

NOTICE

The information contained herein is not intended to replace the full product installation and safety information available or the experience of a trained product installer. You are required to thoroughly read all installation instructions and product safety information before beginning the installation of this product.

Watts product specifications in U.S. customary units and metric are approximate and are provided for reference only. For precise measurements, please contact Watts Technical Service. Watts reserves the right to change or modify product design, construction, specifications, or materials without prior notice and without incurring any obligation to make such changes and modifications on Watts products previously or subsequently sold.

