

Engineering Specification

Job Name _____
 Job Location _____
 Engineer _____
 Approval _____
 Tag _____

Contractor _____
 Approval _____
 Contractor's P.O. No. _____
 Representative _____

FD-200-WD Floor Drain with Optional Domed Standpipe Specification

Watts FD-200-W epoxy coated cast iron floor drain with anchor flange, weepholes, chrome plated secured dome, adjustable ABS standpipe (standard), and no hub (MJ) (standard) outlet.

Pipe Sizing		Options	
Suffix	Description	Suffix	Description
2	2"(51) Pipe Size	-6	Vandal Proof
3	3"(76) Pipe Size	-8	Backwater Valve (3, 4" Only)
4	4"(102) Pipe Size	-13	All Galvanized
Outlet Type		-15	Strainer Extension (DD-50)
Suffix	Description	-113M	Special Epoxy from 3M Range
NH	No Hub (MJ)	-Z	Elastomeric Flange
P	Push On		
Top Assembly			
Suffix	Description		
W	Standpipe		
WD	Domed Standpipe		
Optional Body Material			
Suffix	Description		
-60	PVC Body w/Socket Outlet		
-61	ABS Body w/Socket Outlet		

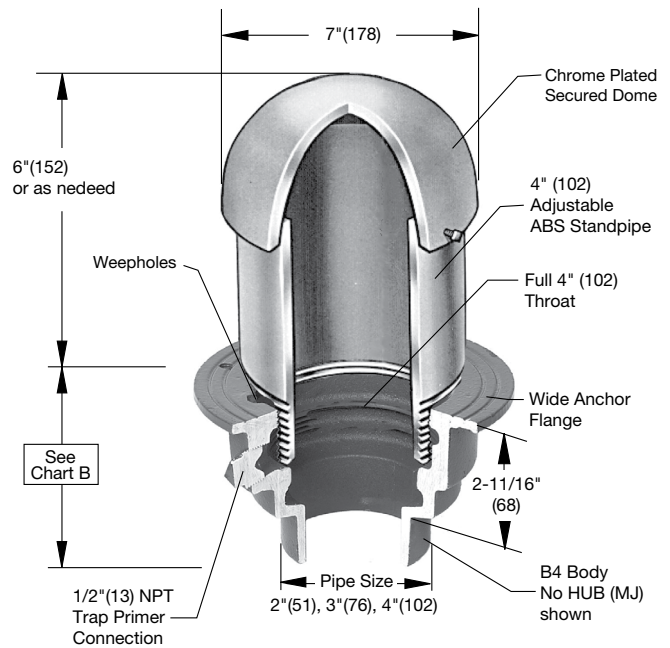


Chart B			
Pipe Size	Std. No Hub	P Push On	60/61 PVC/ABS
2"(51)	3"(76)	4"(102)	4"(102)
3"(76)	3"(76)	4"(102)	3-3/4"(95)
4"(102)	3"(76)	4"(102)	3-3/4"(95)

NOTICE

The information contained herein is not intended to replace the full product installation and safety information available or the experience of a trained product installer. You are required to thoroughly read all installation instructions and product safety information before beginning the installation of this product.

Watts product specifications in U.S. customary units and metric are approximate and are provided for reference only. For precise measurements, please contact Watts Technical Service. Watts reserves the right to change or modify product design, construction, specifications, or materials without prior notice and without incurring any obligation to make such changes and modifications on Watts products previously or subsequently sold.



USA: T: (800) 338-2581 • Watts.com
Canada: T: (888) 208-8927 • Watts.ca
Latin America: T: (52) 55-4122-0138 • Watts.com