

Engineering Specification

Job Name _____
 Job Location _____
 Engineer _____
 Approval _____

Contractor _____
 Approval _____
 Contractor's P.O. No. _____
 Representative _____

FD-200-FC Floor Drain with Surface Membrane Clamp

Specification

Watts FD-200-FC epoxy coated cast iron floor drain with anchor flange, weepholes, 1/4" thick (specify diameter) adjustable nickel bronze (standard) strainer with surface membrane clamp, and no hub (MJ) (standard) outlet.

Call customer service if you need assistance with technical details.

Pipe Sizing	
Suffix	Description
2	2"(51) Pipe Size <input type="checkbox"/>
3	3"(76) Pipe Size <input type="checkbox"/>
4	4"(102) Pipe Size <input type="checkbox"/>

Outlet Type	
Suffix	Description
NH	No Hub (MJ) <input type="checkbox"/>
P	Push On <input type="checkbox"/>

Strainer	
Suffix	Description
FC7-1	7"(178) Dia., Nickel Bronze <input type="checkbox"/>
FC7-3	7"(178) Dia., Stainless Steel <input type="checkbox"/>
FC9-1	9"(229) Dia., Stainless Steel <input type="checkbox"/>

Optional Body Material	
Suffix	Description
-60	PVC Body w/Socket Outlet <input type="checkbox"/>
-61	ABS Body w/Socket Outlet <input type="checkbox"/>

Options	
Suffix	Description
-5	Sediment Bucket <input type="checkbox"/>
-6	Vandal Proof <input type="checkbox"/>
-8	Backwater Valve (3, 4" Only) <input type="checkbox"/>
-12	Galvanized Top <input type="checkbox"/>
-13	All Galvanized <input type="checkbox"/>
-15	Strainer Extension (DD-50) <input type="checkbox"/>
-113M	Special Epoxy from 3M Range <input type="checkbox"/>
-F4-50	4" Round Cast Iron Funnel <input type="checkbox"/>
-F4-1	4" Round Nickel Bronze Funnel <input type="checkbox"/>
-F6-1	6" Round Nickel Bronze Funnel <input type="checkbox"/>
-G-50	4" x 9" Oval Cast Iron Funnel <input type="checkbox"/>
-G-1	4" x 9" Oval Nickel Bronze Funnel <input type="checkbox"/>
-Z	Elastomeric Flange <input type="checkbox"/>

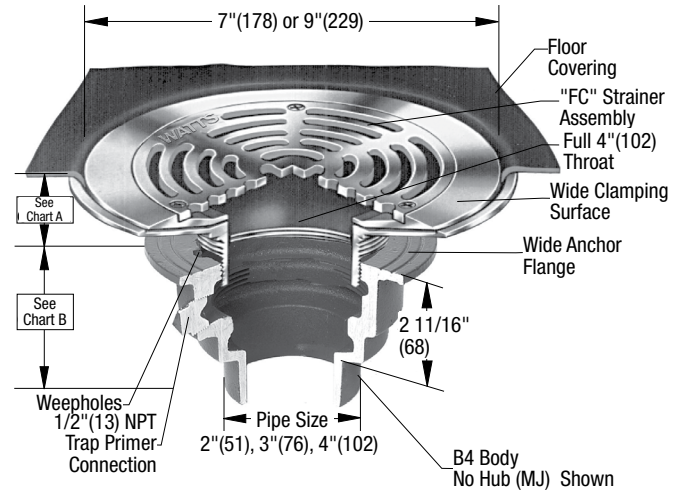


Chart A

Strainer Dia.	Min.	Max.	Load Rating	Free Area
7"(178)	1 1/2"(38)	2 3/4"(70)	MD	9
7"(178)	1 1/2"(38)	2 3/4"(70)	MD	9
9"(229)	1 1/2"(38)	2 3/4"(70)	MD	12

Chart B

Pipe Size	Std. No Hub	P Push On	60/61 PVC/ABS
2"(51)	3 5/8"(92)	4"(102)	4"(102)
3"(76)	3 5/8"(92)	4"(102)	3 3/4"(95)
4"(102)	3 5/8"(92)	4"(102)	3 3/4"(95)

NOTICE

The load classifications are in accordance with the American National Standard ASME A112.21.1M ASME Ratings are as follows:
 MD - Safe Live Load 2000-4999 lbs. (900-2250)
 The above categories are given as a guide only. Please consult factory.

Watts product specifications in U.S. customary units and metric are approximate and are provided for reference only. For precise measurements, please contact Watts Technical Service. Watts reserves the right to change or modify product design, construction, specifications, or materials without prior notice and without incurring any obligation to make such changes and modifications on Watts products previously or subsequently sold.



USA: T: (800) 338-2581 • Watts.com
Canada: T: (888) 208-8927 • Watts.ca
Latin America: T: (52) 55-4122-0138 • Watts.com