

Engineering Specification

Job Name _____ Contractor _____

Job Location _____ Approval _____

Engineer _____ Contractor's P.O. No. _____

Approval _____ Representative _____

Tag _____

FD-200-ER Floor Drain With Extended Rim Strainer Specification

Watts FD-200-ER epoxy coated cast iron floor drain with anchor flange, weepholes, 1/4" thick (specify diameter) adjustable nickel bronze (standard) extended rim strainer, and no hub (MJ) (standard) outlet.

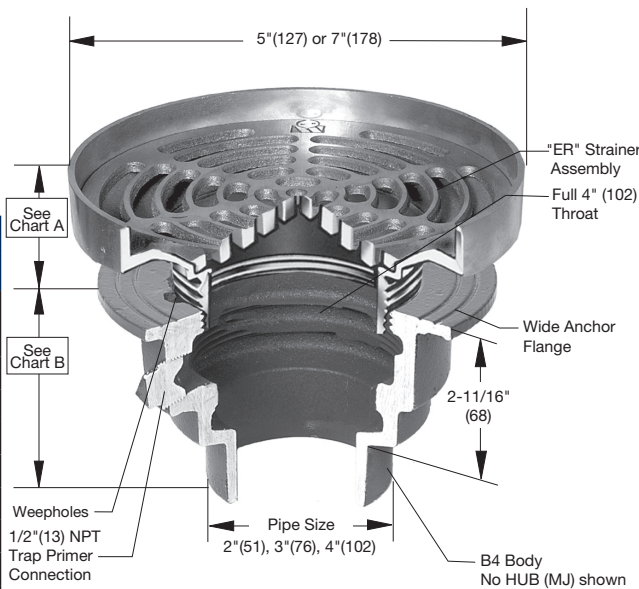
Pipe Sizing	
Suffix	Description
2	2"(51) Pipe Size <input type="checkbox"/>
3	3"(76) Pipe Size <input type="checkbox"/>
4	4"(102) Pipe Size <input type="checkbox"/>

Outlet Type	
Suffix	Description
NH	No Hub (MJ) <input type="checkbox"/>
P	Push On <input type="checkbox"/>

Strainer	
Suffix	Description
ER5-1	5"(127) Dia., Nickel Bronze <input type="checkbox"/>
ER7-1	7"(178) Dia., Nickel Bronze <input type="checkbox"/>

Optional Body Material	
Suffix	Description
-60	PVC Body w/Socket Outlet <input type="checkbox"/>
-61	ABS Body w/Socket Outlet <input type="checkbox"/>

Options	
Suffix	Description
-5	Sediment Bucket <input type="checkbox"/>
-6	Vandal Proof <input type="checkbox"/>
-8	Backwater Valve (3, 4" Only) <input type="checkbox"/>
-12	Galvanized Top <input type="checkbox"/>
-13	All Galvanized <input type="checkbox"/>
-15	Strainer Extension (DD-50) <input type="checkbox"/>
-113M	Special Epoxy from 3M Range <input type="checkbox"/>
-F4-50	4" Round Cast Iron Funnel <input type="checkbox"/>
-F4-1	4" Round Nickel Bronze Funnel <input type="checkbox"/>
-F6-1	6" Round Nickel Bronze Funnel <input type="checkbox"/>
-G-50	4x9" Oval Cast Iron Funnel <input type="checkbox"/>
-G-1	4x9" Oval Nickel Bronze Funnel <input type="checkbox"/>
-Z	Elastomeric Flange <input type="checkbox"/>



Str. Dia.	Min.	Max.	Free Area Sq. In.
5"(127)	7/16"(11)	1-5/8"(41)	9
7"(178)	1"(25)	2-1/4"(57)	13

Pipe Size	Std. No Hub	P Push On	60/61 PVC/ABS
2"(51)	3 5/8"(92)	4"(102)	4"(102)
3"(76)	3 5/8"(92)	4"(102)	3-3/4" (95)
4"(102)	3 5/8"(92)	4"(102)	3-3/4" (95)

NOTICE

The information contained herein is not intended to replace the full product installation and safety information available or the experience of a trained product installer. You are required to thoroughly read all installation instructions and product safety information before beginning the installation of this product.

Watts product specifications in U.S. customary units and metric are approximate and are provided for reference only. For precise measurements, please contact Watts Technical Service. Watts reserves the right to change or modify product design, construction, specifications, or materials without prior notice and without incurring any obligation to make such changes and modifications on Watts products previously or subsequently sold.



USA: T: (800) 338-2581 • Watts.com
 Canada: T: (888) 208-8927 • Watts.ca
 Latin America: T: (52) 55-4122-0138 • Watts.com