

Engineering Specification

Job Name _____

Contractor _____

Job Location _____

Approval _____

Engineer _____

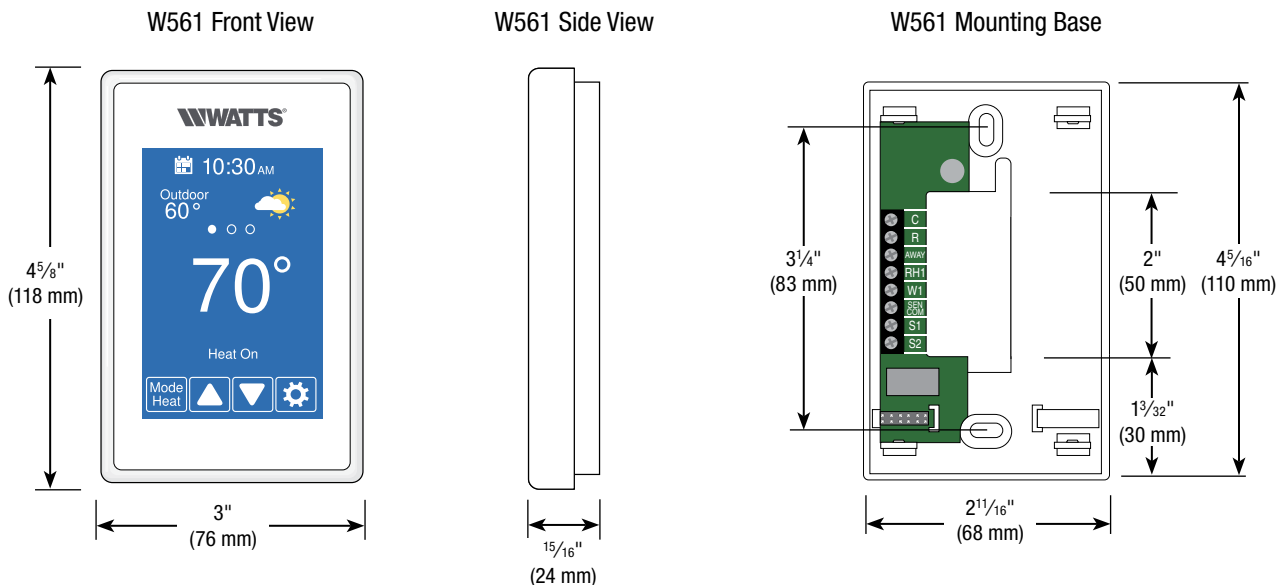
Contractor's P.O. No. _____

Approval _____

Representative _____

W561 Watts® WiFi Thermostat

The Watts® W561 WiFi Thermostat provides precise temperature control of a one-stage heating system. When connected to the Internet, the Watts® Home mobile app allows the thermostat to be controlled remotely. A 7-day, 4-event programmable schedule is available and the early start feature automatically learns to heat up the room by the scheduled time. An Away mode is quickly and easily accessed to provide energy savings when the space is unoccupied. The thermostat supports radiant floor heating and included floor sensor can be installed to enhance comfort and protect floor coverings.



Features

- Mobile app for Apple®* iOS and Android™**
- Included floor sensor and optional room sensors
- Automatic software updates
- Outdoor temperature
- Local weather
- Error and warning notifications
- Time clock updated from Internet
- 7 day programmable schedule
- Away energy savings mode
- Early start
- Energy monitoring
- English/Français/Español languages
- 3.5" color touchscreen
- Selectable background colors

* Apple® and App Store® are trademarks of Apple Inc.

** Android™ is trademark of Google LLC.

Specifications

W561 WiFi Thermostat One Stage Heat	
Literature	ES-W561, U-W561, IOM-W561
Control	Microprocessor control. This is not a safety (limit) control
Packaged weight	0.6 lb. (270 g)
Dimensions	4 5/8" H x 3" W x 1 5/16" D (118 x 76 x 24 mm)
Enclosure	White PVC plastic, NEMA type 1
Approvals	Meets Class B: ICES & FCC Part 15
Ambient conditions	Indoor use only, 32 to 122°F (0 to 50°C), RH ≤90% non-condensing
Power supply	15 to 30 V (ac/dc), 2 VA, Class 2
Relay	30V (ac/dc), 2 A, Class 2 circuits
Sensor	NTC thermistor, 10 kΩ @ 77°F (25°C ±0.2°C) B=3892
-Included	079
-Optional	tekmar® type # 070, 072, 073, 076, 077, 084, 087
Communications	WiFi 802.11n, 2.4 GHz, WPA2 encryption
Mobile App	Apple iOS 12 or higher, Android 8 or higher
Warranty	Limited 3 Year

Watts product specifications in U.S. customary units and metric are approximate and are provided for reference only. For precise measurements, please contact Watts Technical Service. Watts reserves the right to change or modify product design, construction, specifications, or materials without prior notice and without incurring any obligation to make such changes and modifications on Watts products previously or subsequently sold.

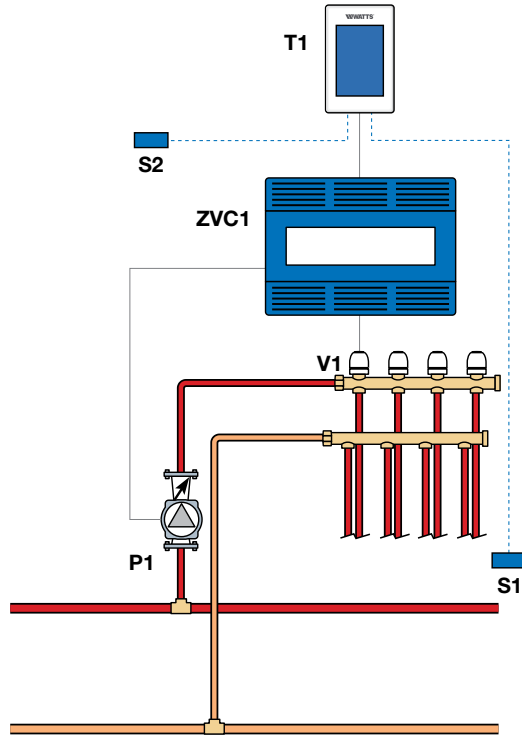


Sample Application Drawing

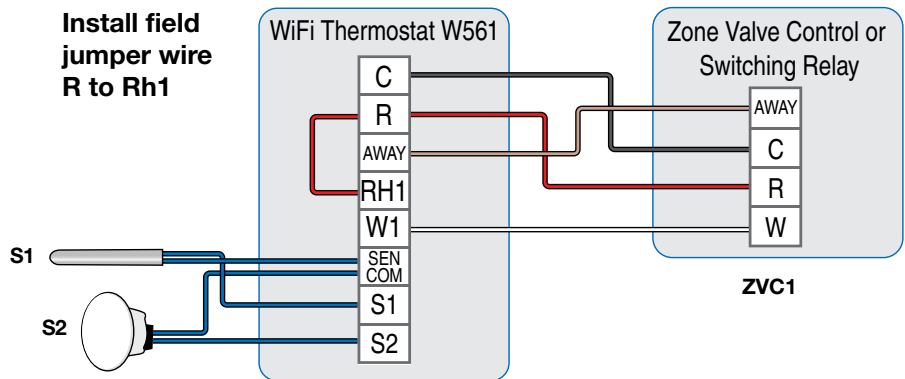
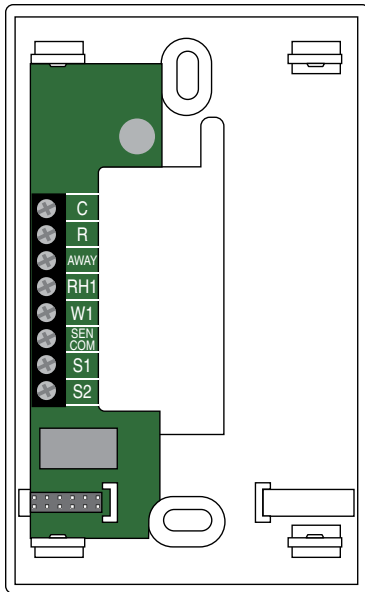
Sample Mechanical diagram

Legend

- P1 = Manifold Pump
- T1 = W561 WiFi Thermostat
- V1 = Zone Valve
- S1 = Included Floor Sensor 079
- S2 = Optional Indoor Sensor 084
- ZVC1 = Zone Valve Control 303V, 304V, 305V, 306V



Sample Electrical diagram



NOTICE

The information contained herein is not intended to replace the full product installation and safety information available or the experience of a trained product installer. You are required to thoroughly read all installation instructions and product safety information before beginning the installation of this product.



USA: T: (800) 276-2419 • Watts.com

Canada: T: (888) 208-8927 • Watts.ca

Latin America: T: (52) 55-4122-0138 • Watts.com