

# Installation, Maintenance, and Repair Manual

## Series 994 and 994RPDA

### Reduced Pressure Zone Assembly Reduced Pressure Detector Assembly

2½" – 10"

#### ⚠ WARNING



Read this Manual **BEFORE** using this equipment. Failure to read and follow all safety and use information can result in death, serious personal injury, property damage, or damage to the equipment. Keep this Manual for future reference.



#### ⚠ WARNING

Local building or plumbing codes may require modifications to the information provided. You are required to consult the local building and plumbing codes prior to installation. If the information provided here is not consistent with local building or plumbing codes, the local codes should be followed. This product must be installed by a licensed contractor in accordance with local codes and ordinances.

#### ⚠ WARNING

**Need for Periodic Inspection/Maintenance:** This product must be tested periodically in compliance with local codes, but at least once per year or more as service conditions warrant. Corrosive water conditions, and/or unauthorized adjustments or repair could render the product ineffective for the service intended. Regular checking and cleaning of the product's internal components helps assure maximum life and proper product function.

#### ⚠ WARNING

This device must be tested periodically in compliance with local codes, but at least once per year or more as service conditions warrant. If installed on a fire sprinkler system all mechanical checks, such as alarm checks, single checks and backflow preventers should be inspected internally every one to five years in accordance with NFPA 13 A and NFPA 25.

#### NOTICE

(For Australia and New Zealand) Pipeline strainers should be installed between the upstream shutoff valve and the inlet of the backflow preventer.

Inquire with governing authorities for local installation requirements.

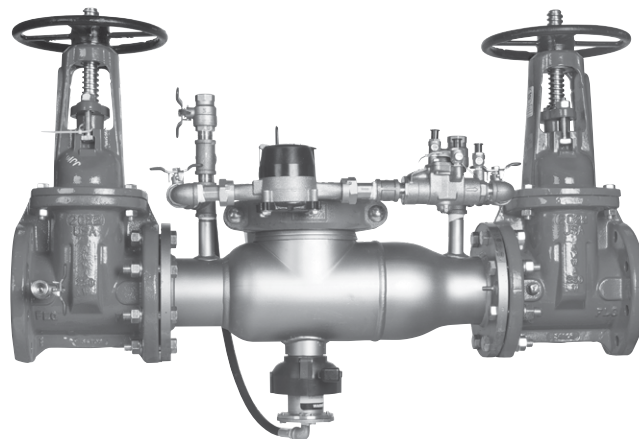
### Testing

For field testing procedure, refer to Watts installation sheets IS-TK-9A, IS-TK-99D, and IS-TK-99E at [watts.com](http://watts.com)

For troubleshooting guide, refer to literature S-TSG.

For other repair kits and service parts, refer to our Backflow Prevention Products Repair Kits & Service Parts price list PL-RP-BPD at [watts.com](http://watts.com)

For technical assistance, contact your local Watts representative.



994RPDA-OSY-GPM with Flood Sensor

Series 994 and 994RPDA each include a flood sensor that detects excessive relief valve discharges and triggers notification of potential flood events.

#### NOTICE

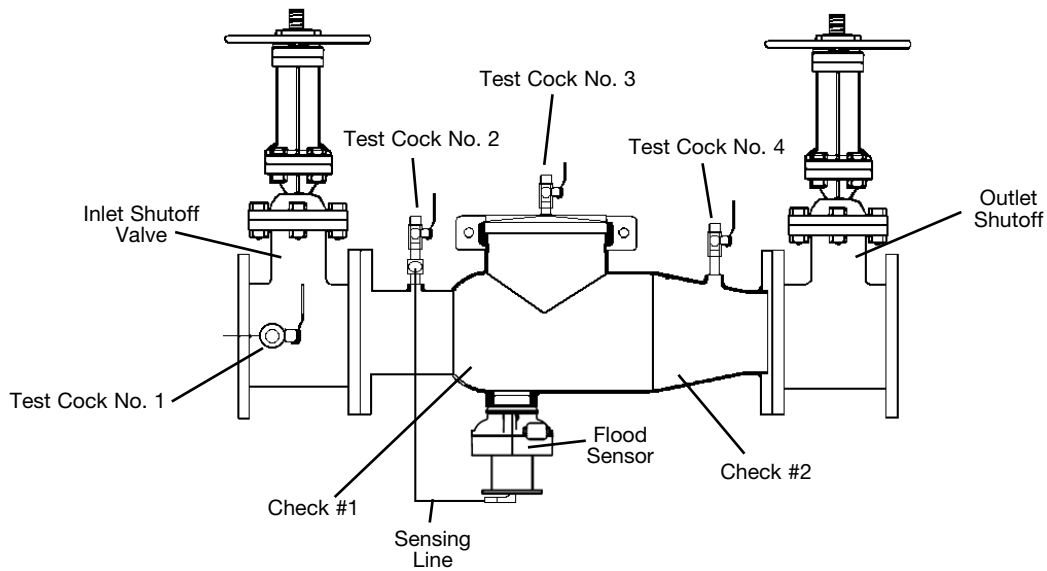
An add-on connection kit is required to activate the flood sensor. Without the connection kit, the flood sensor is a passive component that does not communicate with any other device. (A retrofit sensor connection kit is also available for existing installations. See "Add-on and Retrofit Sensor Connection Kits," for ordering details.)

#### NOTICE

Use of the flood sensor does not replace the need to comply with all required instructions, codes, and regulations related to installation, operation, and maintenance of this product, including the need to provide proper drainage in the event of a discharge.

Watts is not responsible for the failure of alerts due to connectivity issues, power outages, or improper installation.

# Installation Guidelines



## Considerations

- Backflow preventers must be installed in high-visibility locations in order to allow for immediate notice of telltale discharge or other malfunction. This location should also facilitate testing and servicing and protect against freezing and vandalism.
- Installation procedures must comply with all state and local codes.
- Installing a backflow preventer in a pit or vault is not recommended. An air gap below the relief port must be maintained so as to avoid flooding and submersion of the assembly, which may lead to a cross-connection. Watts recommends installations indoors or above ground in an insulated enclosure. (Refer to literature ES-WB at watts.com.)
- A strainer should be installed ahead of the backflow preventer to protect the discs from unnecessary fouling.

### **CAUTION**

Do not install a strainer ahead of the backflow preventer on seldom-used, emergency water lines such as fire sprinkler lines. The strainer mesh could potentially become clogged with debris present in the water and cause water blockage during an emergency.

- Normal discharge and nuisance spitting are accommodated by the use of a Watts air gap fitting and a fabricated indirect waste line. Floor drains of the same size **MUST** be provided in case of excessive discharge.
- When installing an air gap, attach the air gap brackets directly onto the flood sensor.
- When a Series 994 backflow preventer is installed for dead-end service applications, discharge from the relief vent may occur due to water supply pressure fluctuation during static no-flow conditions. A check valve may be required ahead of the backflow preventer.

- **ASSEMBLY:** If the backflow preventer is disassembled during installation, it **MUST** be reassembled in its proper order. The gate valve with the test cock is mounted on the inlet side of the backflow preventer. The test cock must be on the inlet side of the wedge. Failure to reassemble correctly leads to possible water damage due to excessive discharge from the relief port/vent and possible malfunction of the backflow preventer.
- Before installation, thoroughly flush the pipeline to remove any foreign matter.
- **START UP at Initial Installations and After Servicing:** The downstream shutoff should be closed. Slowly open the upstream shutoff and allow the backflow preventer to fill slowly. Bleed air at each test cock. When the backflow preventer is filled, slowly open the downstream shutoff and fill the water supply system. This is necessary to avoid water hammer or shock damage.

### **NOTICE**

**Assembly body should not be painted.**

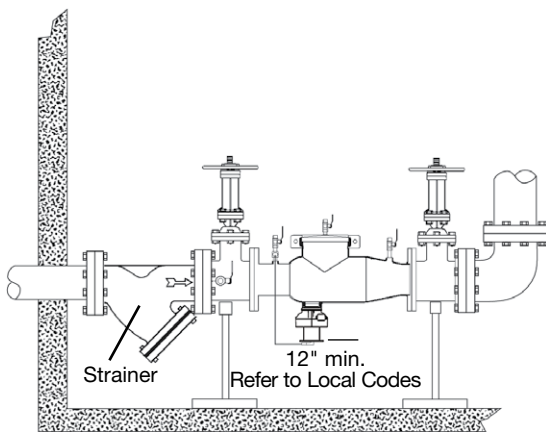
**The flange gasket bolts for the gate valves should be retightened during installation as the bolts may have loosened due to storage and shipping.**

VALVE SIZE	TYPICAL FLOW RATES AS SIZED BY FLOOR DRAIN MANUFACTURERS	DRAIN SIZE
<i>in.</i>	<i>gpm</i>	<i>in.</i>
2½	55	2
3	112	3
4	170	4
6, 8, 10	350	5

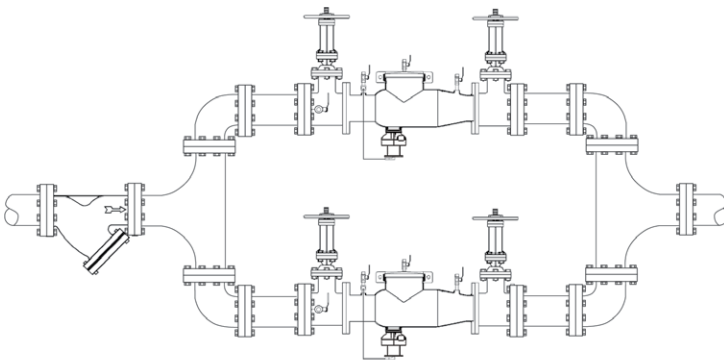
## Installation

- A. Install the assembly in a horizontal position. The shutoff valve with the test cock is to be mounted on the inlet side of the backflow preventer. The test cock is on the inlet side of the shutoff valve.
- B. Always install the assembly in an accessible location to facilitate testing and servicing. Check the state and local codes to ensure that the backflow preventer is installed in compliance, such as the proper height above the ground. The backflow preventer must be supported and is not designed to carry full weight of the stand pipe.
- C. Vent water discharge from the relief valve in accordance with code requirements. The relief valve should never be solidly piped into a drainage ditch, sewer, or sump. The discharge should be funneled through a Watts air gap fitting piped to a floor drain.
- D. Install a strainer ahead of the assembly to protect the discs from unnecessary fouling.

### Indoors



### Parallel

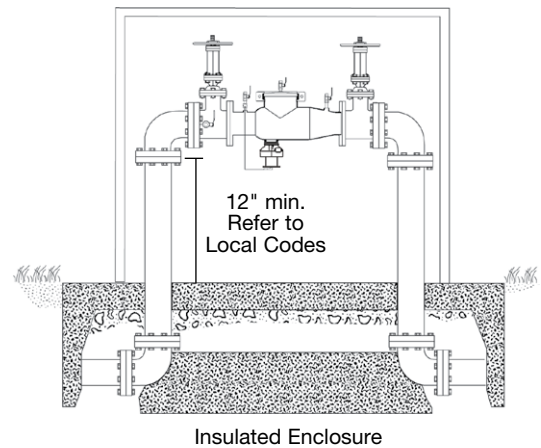
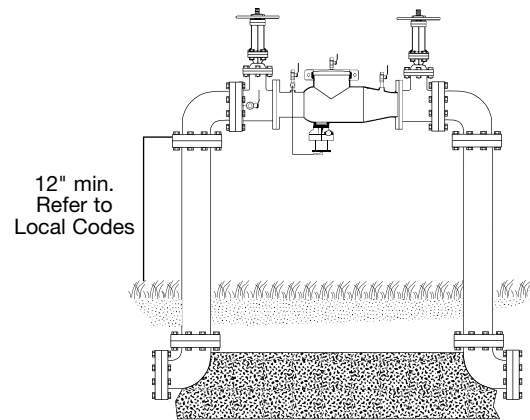


## Start Up

- A. After closing the downstream shutoff, open the upstream shutoff slowly, fill the valve, and bleed the air through test cocks No. 2, No. 3, and No. 4. When the valve is filled, open the downstream shutoff slowly and fill the water supply system.
- B. Install an air gap with the drain line terminating above a floor drain to handle any normal discharge or nuisance spitting through the relief valve. The floor drain size may need to be designed to prevent water damage caused by a failure condition. Do not reduce the size of the drain line from the air gap fitting.
- C. Consider piping two or more smaller valves in parallel, when approved, to serve a large supply pipe main. This type of installation is employed where increase capacity is needed beyond that provided by a single valve and permits testing or servicing of an individual valve without shutting down the complete line.

The number of assemblies used in parallel should be determined by the engineer's judgment based on the operating conditions of a specific installation.

### Above Ground



# Servicing First and Second Checks

## 4" – 6"

Before servicing, be certain the shutoff valves are closed. Then use the following procedure to remove the check assemblies.

1. Slowly open all ball valves to relieve air and water pressure. Loosen the bolts on the groove coupler and remove the groove coupling and cover plate from the valve body. (See Figure 1.)
2. Remove check assembly #1 by hand, turning the screws counterclockwise to release the check and remove it through the top access port. Do not use the check arm as a handle to unscrew the unit. If the check cannot be loosened by hand, insert a long screwdriver between the valve body and the check. (See Figure 2.) Gently apply pressure against the check until it is loosened. Finish unscrewing by hand. (See Figure 3.) Unscrew check #2 by turning counterclockwise, placing a long screwdriver across the lugs and applying pressure to loosen the check. (See Figure 4.) Finish unscrewing by hand.
3. (For 6" only) To clean check #1, locate the check arm opening stud on the outlet flange of the valve assembly. Slide the check arm over the stud with the check threads facing downward. (See Figure 5A.) Tighten the ¼" nut on the stud to secure the cam bar.

Figure 1

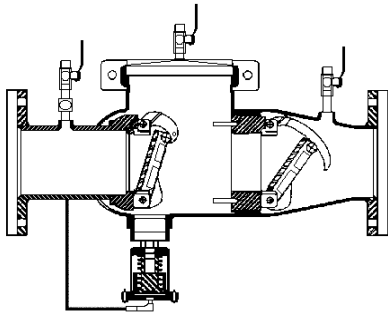


Figure 3

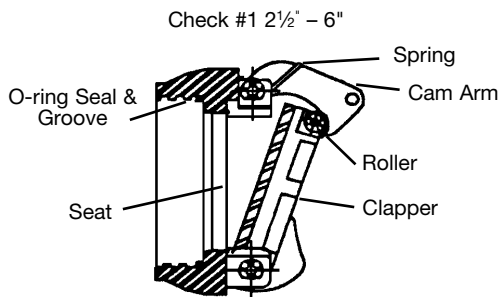


Figure 5A

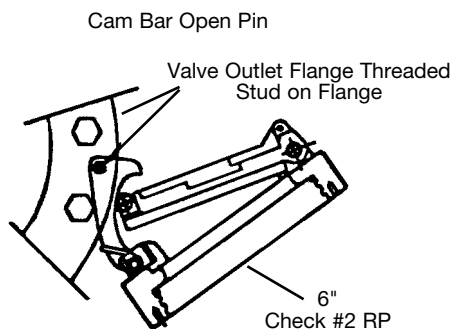


Figure 2

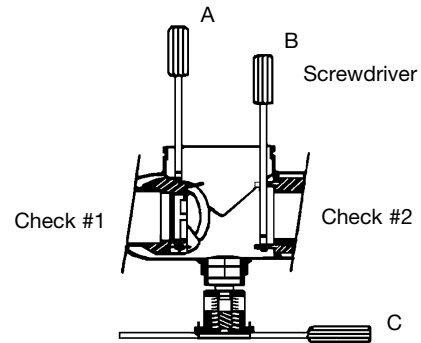


Figure 4

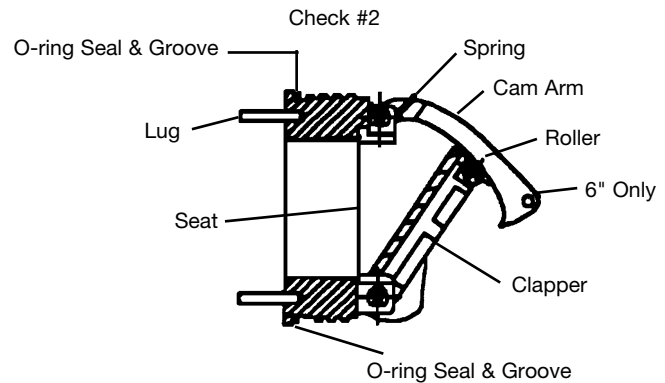


Figure 5B



Slowly pull the assembly outward to open the check, allowing exposure of the seat clapper area for cleaning.

To clean check #2, lift the cam arm and hold it in the open position. (See Figure 4.) Raise the clapper so that the end of the check arm rests between the roller and the clapper. (See Figure 5B.) Thoroughly clean the seat area and clapper sealing surfaces of both checks. Inspect seats, clapper sealing surfaces, check arms, and O-rings for damage, nicks, and debris. If not damaged, gently close the clapper. If damaged, install a new check assembly or O-ring, or both.

4. Before reinstalling the checks, thoroughly clean the O-ring groove and lubricate the O-ring with an FDA Approved lubricant. Insert and thread check #2 first and then check #1. Check #2 should be tightened by inserting a long screwdriver between the lugs to tighten firmly. (See Figure 2.) Do not overtighten. Tighten check #1 firmly by hand only. Replace the cover plate, clean groove coupler gasket, and groove. Replace the groove coupler. Repressurize and bleed air from all the test cocks.

# Servicing First and Second Checks

## 8" – 10"

Before servicing, be certain the shutoff valves are closed. Then use the following procedure to remove the check assemblies.

1. Slowly open all ball valves to relieve air and water pressure. Loosen the bolts on the groove coupler and remove the groove coupling and cover plate from the valve body.
2. (For check #1) Using a  $\frac{1}{16}$ " socket wrench or nut driver, remove the four nuts from the check #1 studs. (See Figure 1.) Using two hands, place one at 12 o'clock and the other at 6 o'clock, and wiggle the check assembly free. Remove the check through the access port with the back of the clapper first, spring end down. Pull the check assembly out of the main body. Inspect the seats and clapper sealing surfaces. (See Figure 2.)  
(For check #2) After loosening the bolts with a  $\frac{1}{16}$ " socket, remove the bolts completely. Using the centerline access bar, spin the check assembly from the 9 o'clock position to the 12 o'clock position. Without letting go of the access bar, push the cam

assembly slightly downstream to make the clapper parallel to the valve body. (See Figure 3.) Bring the check assembly through the check retaining wall, leaving the check assembly parallel to the valve body. Pull the check assembly through the access port.

3. To relieve the torsion spring tension, place a  $\frac{3}{8}$ " nut driver or a piece of small diameter pipe on the check arm torsion spring, and move it around and away from the torsion spring retaining bracket. (See Figure 4.) This allows the check arm to move freely, enabling inspection of the clapper face and check seat. Thoroughly clean the seat area and clapper sealing surfaces, check arms, and O-rings for damage, nicks, and debris. If any damage is observed, install a new check assembly or O-ring, or both.
4. Before reinstalling the check assembly, thoroughly clean the O-ring groove and lubricate the O-ring with an FDA Approved lubricant.

Figure 1

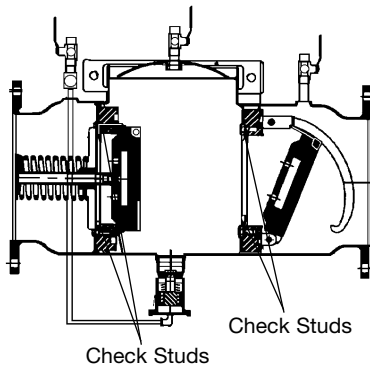


Figure 2

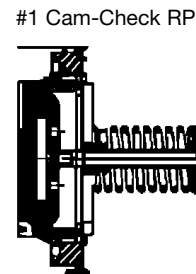


Figure 3

#2 Cam-Check DC & RP

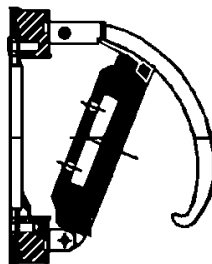
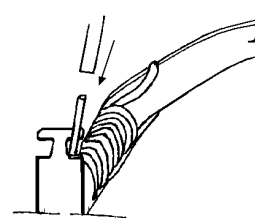


Figure 4



# Inspecting and Cleaning the First Check

## **⚠ DANGER**

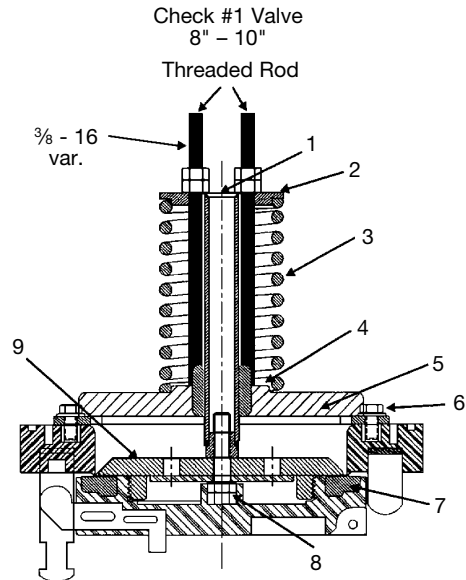
### Use extreme caution when servicing the first check!

Use the following procedure and accompanying illustration to inspect the seat and clean the seat and clapper washer.

1. After removing the first check from the backflow valve body, place it on a flat surface with the coil spring facing up.
2. To gain access to the seat and clapper rubber ring, compress the spring (item 3) that surrounds the clapper shaft (item 1) by placing the  $\frac{3}{8}$ " threaded rod through the two holes of the spring retaining plate (item 2).
3. After placing the  $\frac{3}{8}$ " all-thread rod through the spring retaining plate, screw the threaded rod into the holes (item 4) at the base of spider (item 5, next to shaft). Be sure to use two nuts on the threaded rod to tighten them into the holes. The depth of the threaded holes should be approximately  $\frac{1}{2}$ ". This operation requires the use of two pieces of threaded rod.
4. Compress the spring by loosening the top  $\frac{3}{8}$ " nut and back it off without unscrewing the threaded rod from the spider. Place a box end wrench or crescent wrench on the  $\frac{3}{8}$ " nut closest to the spring retaining plate and tighten. Tighten the threaded rod and nut evenly: put a few turns on one threaded rod nut and a few turns on the other, repeat alternating between the two until finish.
5. During compression, the clapper slowly moves up, away from the seat. To examine the seat, continue the spring compression until the clapper has moved approximately 1" from the seat. This allows debris to be removed and the seat to be examined.
6. To unload the spring compression, loosen the all-thread and then double nut the all-thread and unscrew the rod from the spider and shaft base.

Tools required:

- Two pieces of  $\frac{3}{8}$ " threaded rod (approximately 14" long)
- Adjustable crescent wrench
- Pipe wrench or channel lock pliers

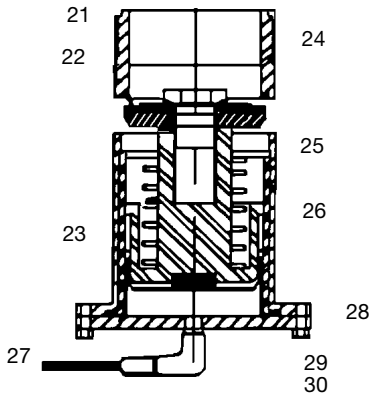


ITEM	DESCRIPTION
1	Shaft
2	Spring retaining plate
3	Spring
4	$\frac{3}{8}$ " threaded hole (maintenance)
5	Spider
6	Spider retaining bolt
7	Seat ring
8	Clapper to shaft bolt
9	Seat ring retainer

# Servicing the Relief Valve

The relief valve may be serviced while on or off the backflow preventer valve. Shut down the water system before servicing. (See the components of the relief valve in Figure 1.)

Figure 1



ITEM	DESCRIPTION	QUANTITY
21	Relief Valve Body	1
22	Rubber Shutoff Disc	1
23	Piston Diaphragm Assembly	1
24	Hex Head Bolt	4
25	Disc Retainer	1
26	Sleeve	1
27	Bottom Bolt	1
28	Bottom Flange (w st. elbow)	1
29	Bottom st. elbow	1
30	O-ring disc	1

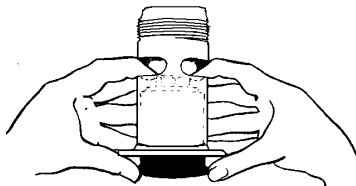
## NOTICE

Do not use a pipe wrench to remove the relief valve assembly from the backflow preventer.

### To disassemble the relief valve

1. Detach the activation module, if installed, from the flood sensor then use a #2 Phillips screwdriver to remove the sensor from the relief valve.
2. Disconnect the relief valve hose from the elbow in the bottom flange cover at the swivel hose connection. Do not remove the elbow.
3. If the valve is to be removed from the backflow preventer for service, place a screwdriver blade or flat bar across the edges of two of the hex head screws in the bottom flange cover and turn counterclockwise to loosen the relief valve assembly.
4. Remove the four bottom bolts from the bottom of the relief valve assembly with a  $\frac{5}{16}$ " socket or open-end wrench. Remove the bottom flange cover.
5. Remove the piston assembly and sleeve from the relief valve body by placing the index fingers through the slots in the side of the body and pressing down on the top of the disc retainer in the top of the piston assembly. (See Figure 2.) Pull the piston assembly free of the body by grasping the sleeve and pulling down.

Figure 2

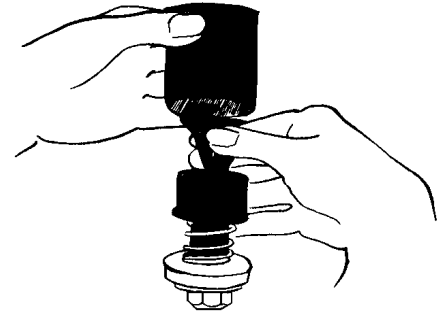


6. Grip the sleeve and the piston assembly by the head of the hex head bolt. Pull up on the sleeve to extend the diaphragm. Slide the sleeve (item 26) completely off the diaphragm and inspect the diaphragm for tears, holes, or excessive wrinkles. If the diaphragm is damaged, order a new piston-diaphragm assembly.

### To reassemble the relief valve

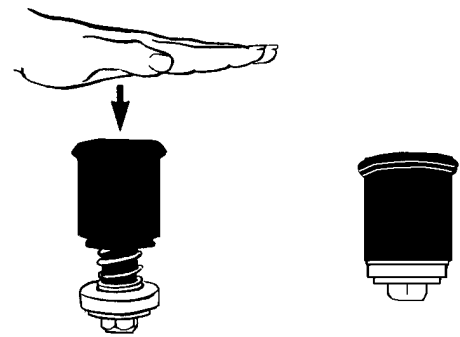
1. Thoroughly clean all inside surfaces of the relief valve body.
2. Inspect the relief valve body seat surface located at the top edge of the three discharge slots near the top of the body by rubbing the end of an index finger around the entire seat surface; access the seat surface through the slots or the bottom of the body. The seat must be free of nicks. If nicks are discovered, remove the body and install a new relief valve assembly.
3. Position the diaphragm on the piston assembly so that it is facing up. (See Figure 3.)

Figure 3



4. Fold the top (ribbed) edge of the diaphragm inward, grasp the sleeve with the **ribbed edge up**, and slide the sleeve down over the piston assembly.
5. While still holding the sleeve, slide it up over the diaphragm and, using your thumb and index finger, position the bead of the diaphragm so that it wraps over the outside of the rib on the top of the sleeve so that the sleeve is held by the diaphragm. Place the piston assembly on a flat, firm surface with diaphragm facing up. (See Figure 4.)

Figure 4



6. Cup a hand slightly to form an air trap and force the sleeve down over the piston assembly with a rapid slap (hard) on the open end of the diaphragm with the cupped hand. The trapped air in the diaphragm forces the diaphragm between the inside of the sleeve and the outside of the piston. Ensure that the diaphragm is fully seated. If diaphragm is wrinkled, repeat the previous step.
7. Slide the piston assembly and sleeve into the relief valve body with the hex head bolt entering the flanged end of the body first. Slide the piston assembly in until the diaphragm lip is smoothly seated in the machined groove in the flanged end of the body. Run an index finger around the outside of the diaphragm bead to ensure it is seated smoothly.
8. Position the bottom flange cover on the bottom of the relief valve body and secure it by hand-tightening the four bottom bolts.
9. Tighten the four bottom bolts to approximately 15 ft-lb with a  $\frac{5}{16}$ " socket or open-end wrench, then reattach the relief valve hose to the elbow in the bottom flange cover. Reattach the flood sensor to the relief valve and mount the activation module to sensor.

# Testing

The following test procedure is one of several that is recognized throughout the United States for testing backflow preventers.

The procedure is not a specific recommendation. The Watts series of test kits are capable of performing any of the recognized backflow test procedures.

Complete this preparation before starting the test sequence on the backflow assembly.

1. Open test cock No. 4 and flush test cocks No. 1, No. 2, and No. 3.
2. Close test cock No. 4.
3. Turn on the tester before connecting the hoses. The tester must read all zeros.
4. Close VA and VB.

## Test No. 1 - Relief Valve

1. Install the high-side hose between test cock No. 2 and tester connection A.
2. Install the low-side hose between test cock No. 3 and tester connection B.
3. Open test cock No. 3 then VB. Now open test cock No. 2 slowly, then VA. Close VA then VB.
4. Close shutoff valve #2.
5. Observe the apparent first check valve differential pressure (A - B).
6. Install bypass hose between VA and VB. Open VB and bleed air by loosening hose connection at VA. Tighten the hose connection and close VB.

### Push - Print Head (wait) then Push - Start Test

7. Open VA, then slowly open VB (no more than 1/4 turn). When the relief valve drips, push the Hold button for 2 seconds. Record the reading; must be 2 PSID or more.

### Push - Stop Test

8. Close VA and VB.

## Test No. 2 - Test Check Valve #2

1. Install the bypass hose between VA and test cock No. 4. Open VA, then bleed air by loosening the hose connection at test cock No. 4. Tighten the hose connection. Close VA.

### Push - Start Test

2. Open VB to reestablish pressure within the zone. Close VB.
3. Open test cock No. 4, then open VA. If relief valve does not drip, record second check valve as "close tight."

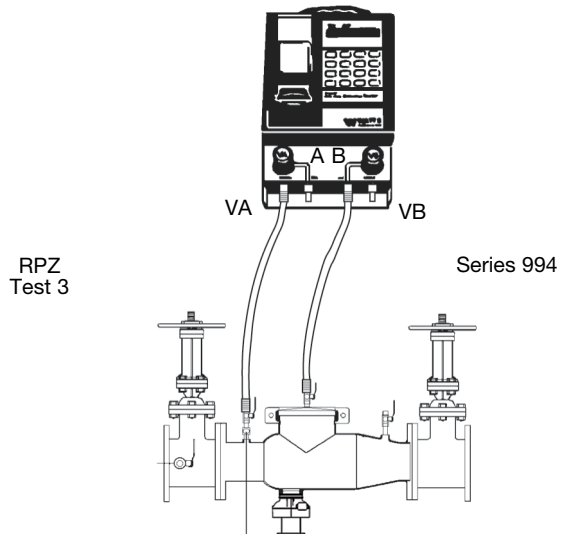
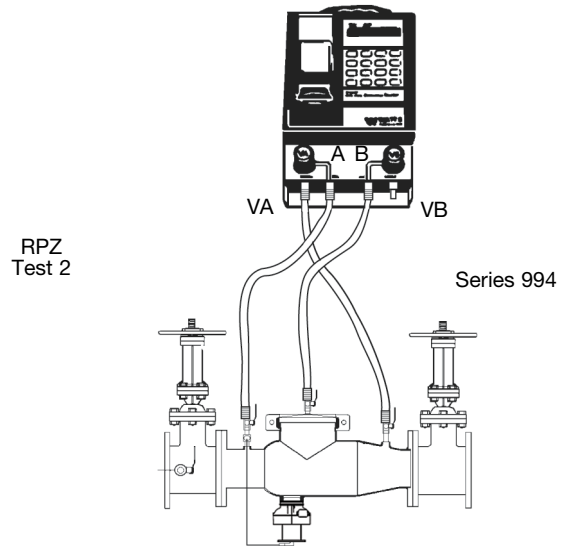
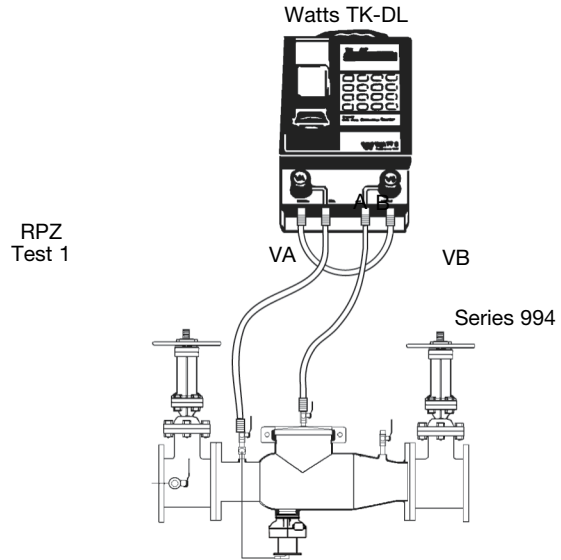
## Test No. 3 - Test Check Valve #1

1. Open VB to reestablish the first check valve differential pressure. Close VB. Record the pressure differential.

### Stop Test (Push Stop Test twice)

2. Close the test cocks and remove the tester, return the assembly to normal operating condition.

For additional testing information, refer to literature IS-TK-9A and IS-TK-99E at watts.com.









# Troubleshooting

PROBLEM	CAUSE	SOLUTION
Assembly discharges from differential relief valve during no flow condition	Fouled first check	Disassemble and clean check valve #1
	Fluctuating inlet pressure	Control supply line water pressure Install a soft-seated, spring-loaded check valve upstream of the assembly
	Outlet pressure higher than inlet pressure and leak in check valve #2	Disassemble and clean check valve #2 and identify cause of backpressure
	Leak through diaphragm or around flange bolt holes of relief valve	Service relief valve
	Pressure relief valve does not close	See problem 'Pressure relief valve does not close'
Assembly discharges from differential relief valve during a flow condition	Check valve #1 wedged open	Disassemble and clean check valve #1
	O-ring displaced from groove in check #1	Disassemble and replace
	Pressure relief valve does not close	See problem 'Pressure relief valve does not close'
	Fluctuating line pressure	Install pressure sustaining check upstream of backflow
Differential pressure relief valve does not open during test	Differential pressure across check valve #1 stays above 2.0 psi due to leaking outlet gate valve	Repair shutoff valves
	Weak or broken relief valve spring	Disassemble and replace relief valve spring
	Shutoff seat tube bound in body	Disassemble and repair
	Plugged hydraulic hose	Disassemble and repair
Pressure relief valve does not close	Debris on sealing surface	Remove relief valve and clean
	Plugged hydraulic hose	Disassemble and clean
	Damaged seat or rubber shutoff disc	Remove relief valve assembly and replace
	Ruptured diaphragm	Disassemble and replace diaphragm
	Wrinkled or improperly installed diaphragm	Disassemble and properly position diaphragm

## Add-on and Retrofit Sensor Connection Kits for Building Management Systems

ORDERING CODE	ADD-ON/RETROFIT KIT	DESCRIPTION
88009418	 <p>FP-BF-BMS BMS Sensor Connection Kit Series 994, 994RPDA Sizes 2½" to 10"</p>	Includes sensor activation module with cable, ground wire, and power adapter. Use this kit to activate the flood sensor and enable flood detection capabilities on the relief valve of a new installation linked to a BMS controller (not included).
88009419	 <p>FP-RFK-BF-BMS-CFS BMS Sensor Retrofit Connection Kit Series 994, 994RPDA Sizes 2½" to 10"</p>	Includes flood sensor, sensor activation module with cable, ground wire, and power adapter. Use this kit to install the flood sensor and enable flood detection capabilities on the relief valve of an existing installation linked to a BMS controller (not included).

## Add-on and Retrofit Sensor Connection Kits for Cellular Communication

ORDERING CODE	ADD-ON/RETROFIT KIT	DESCRIPTION
88009420	 <p>FP-BF-CFS Cellular Sensor Connection Kit Series 994, 994RPDA Sizes 2½" to 10"</p>	Includes sensor activation module with cable, Cellular Gateway with mounting kit, ground wire, and power adapter. Use this kit to activate the flood sensor and enable flood detection capabilities on the relief valve of a new installation linked to a cellular network to send alerts by email message, SMS text message, or voice call.
88009421	 <p>FP-RFK-BF-CFS Cellular Sensor Retrofit Connection Kit Series 994, 994RPDA Sizes 2½" to 10"</p>	Includes flood sensor, sensor activation module with cable, Cellular Gateway with mounting kit, ground wire, and power adapter. Use this kit to install the flood sensor and enable flood detection capabilities on the relief valve of an existing installation linked to a cellular network to send alerts by email message, SMS text message, or voice call.



**Limited Warranty:** Watts (the "Company") warrants each product to be free from defects in material and workmanship under normal usage for a period of one year from the date of original shipment. In the event of such defects within the warranty period, the Company will, at its option, replace or recondition the product without charge.

**THE WARRANTY SET FORTH HEREIN IS GIVEN EXPRESSLY AND IS THE ONLY WARRANTY GIVEN BY THE COMPANY WITH RESPECT TO THE PRODUCT. THE COMPANY MAKES NO OTHER WARRANTIES, EXPRESS OR IMPLIED. THE COMPANY HEREBY SPECIFICALLY DISCLAIMS ALL OTHER WARRANTIES, EXPRESS OR IMPLIED, INCLUDING BUT NOT LIMITED TO THE IMPLIED WARRANTIES OF MERCHANTABILITY AND FITNESS FOR A PARTICULAR PURPOSE.**

The remedy described in the first paragraph of this warranty shall constitute the sole and exclusive remedy for breach of warranty, and the Company shall not be responsible for any incidental, special or consequential damages, including without limitation, lost profits or the cost of repairing or replacing other property which is damaged if this product does not work properly, other costs resulting from labor charges, delays, vandalism, negligence, fouling caused by foreign material, damage from adverse water conditions, chemical, or any other circumstances over which the Company has no control. This warranty shall be invalidated by any abuse, misuse, misapplication, improper installation or improper maintenance or alteration of the product.

Some States do not allow limitations on how long an implied warranty lasts, and some States do not allow the exclusion or limitation of incidental or consequential damages. Therefore the above limitations may not apply to you. This Limited Warranty gives you specific legal rights, and you may have other rights that vary from State to State. You should consult applicable state laws to determine your rights. **SO FAR AS IS CONSISTENT WITH APPLICABLE STATE LAW, ANY IMPLIED WARRANTIES THAT MAY NOT BE DISCLAIMED, INCLUDING THE IMPLIED WARRANTIES OF MERCHANTABILITY AND FITNESS FOR A PARTICULAR PURPOSE, ARE LIMITED IN DURATION TO ONE YEAR FROM THE DATE OF ORIGINAL SHIPMENT.**



**USA:** T: (978) 689-6066 • Watts.com

**Canada:** T: (888) 208-8927 • Watts.ca

**Latin America:** T: (52) 55-4122-0138 • Watts.com

# Manuel d'installation, d'entretien et de réparation

## Série 994 et 994RPDA

### Antirefoulement à pression réduite Détecteur de pression réduite

2½ po – 10 po (6,4 cm à 25,4 cm)

#### ⚠ AVERTISSEMENT



**Veillez lire ce manuel AVANT d'utiliser cet équipement. Le non-respect de toutes les instructions de sécurité et d'utilisation peut entraîner des dommages matériels, des dommages à l'équipement, des blessures graves ou la mort.**

Conservez ce manuel pour référence ultérieure.



#### ⚠ AVERTISSEMENT

Il se peut que les codes du bâtiment ou de plomberie locaux nécessitent des modifications aux informations fournies. Vous êtes tenu de consulter les codes du bâtiment et de plomberie locaux avant l'installation. Si les informations fournies ici ne sont pas compatibles avec les codes du bâtiment ou de plomberie locaux, les codes locaux prévalent. Ce produit doit être installé par un entrepreneur autorisé et respecter les codes et les ordonnances locaux.

#### ⚠ AVERTISSEMENT

**Nécessité d'une inspection/d'un entretien périodique :** Ce produit doit être testé périodiquement, conformément aux codes locaux, au moins une fois par an ou plus selon les conditions de service. Un environnement humide corrosif et/ou des réglages ou réparations non autorisés peuvent avoir un impact négatif sur l'efficacité du produit dans le cadre de ses fonctions. Une vérification et un nettoyage réguliers des composants internes du produit peuvent prolonger la durée de vie maximale du produit et son bon fonctionnement.

#### ⚠ AVERTISSEMENT

Ce dispositif doit être testé périodiquement, conformément aux codes locaux, au moins une fois par an ou plus selon les conditions de service. S'il est installé sur un système d'extinction d'incendie, toutes les vérifications mécaniques, par ex., les alarmes et les dispositifs antirefoulement, doivent inclure une inspection interne tous les 1 à 5 ans en accord avec les normes NFPA 13 et NFPA 25.

#### AVIS

(En Australie et en Nouvelle-Zélande) Les crépines de tuyauterie doivent être installées entre le robinet d'arrêt en amont et l'entrée du dispositif anti-refoulement.

Se renseigner auprès des autorités de réglementation pour les exigences d'installation locales.

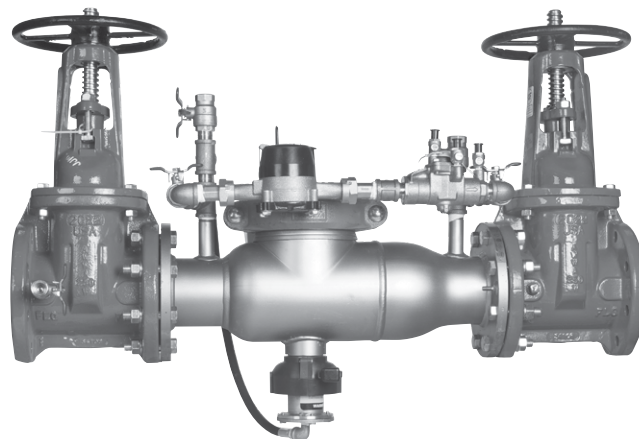
#### Essai

Pour la procédure d'essai sur le terrain, consultez les fiches d'installation de Watts IS-TK-9A, IS-TK-99D et IS-TK-99E sur watts.com.

Pour le guide de dépannage, consultez la documentation S-TSG.

Pour les autres kits de réparation et pièces de rechange, reportez-vous à notre liste de prix des kits de réparation et des pièces de rechange pour les produits anti-refoulement PL-RP-BPD sur le site watts.com.

Pour le soutien technique, veuillez communiquer avec votre représentant Watts local.



994RPDA-OSY-GPM avec capteur d'inondation

Les séries 994 et 994RPDA comprennent un capteur d'inondation qui détecte les évacuations excessives de la soupape de décharge et déclenche une notification d'événements d'inondation potentiels.

#### AVIS

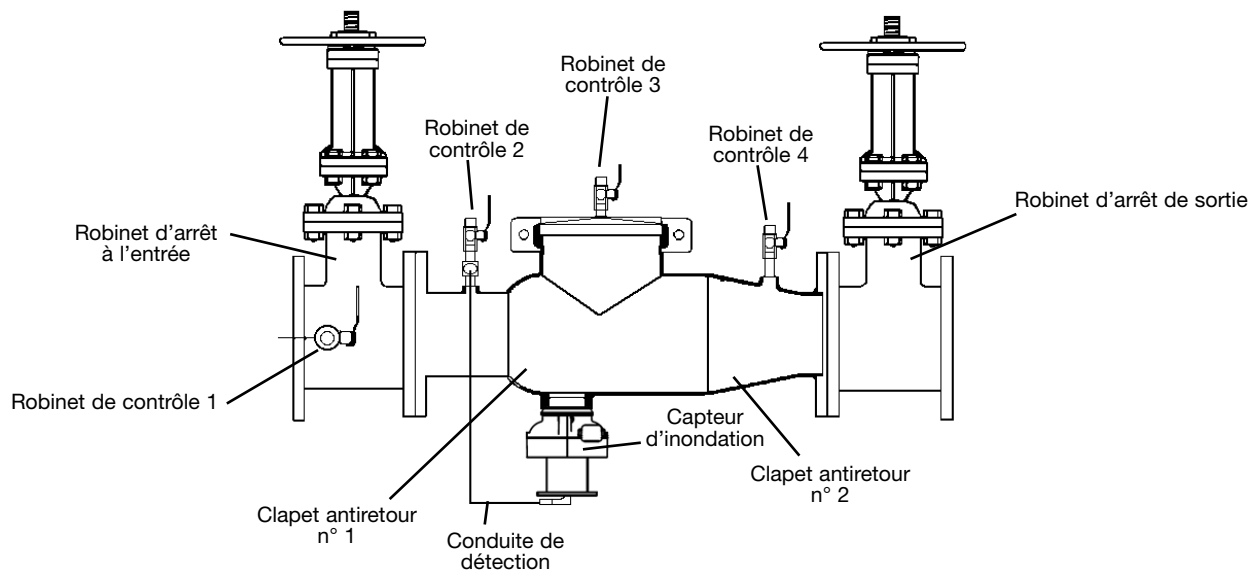
Une trousse de raccordement supplémentaire est nécessaire pour activer le capteur d'inondation. Sans la trousse de raccordement, le capteur d'inondation est un composant passif qui ne communique avec aucun autre dispositif. (Une trousse de raccordement de modernisation de capteur est également disponible pour les installations existantes. Voir « Trusses de connexion de capteur complémentaire et de modernisation » pour les détails de commande.)

#### AVIS

L'utilisation du capteur d'inondation ne remplace pas le besoin de se conformer à toutes les instructions, à tous les codes et à toute la réglementation exigés liés à l'installation, au fonctionnement et à la maintenance de ce produit, y compris le besoin d'assurer un drainage approprié en cas d'événement d'évacuation.

Watts n'est pas responsable de la défaillance des alertes due à des problèmes de connectivité, à des coupures de courant ou à une mauvaise installation.

# Directives d'installation



## Considérations

- Il importe d'installer les dispositifs anti-refoulement à des endroits stratégiques en termes de visibilité afin de bien voir quand un témoin s'active ou en cas de dysfonctionnement. Ces lieux doivent être d'accès facile pour les tests et les réparations, et faire l'objet d'une protection contre le gel et le vandalisme.
- Les procédures d'installation doivent être conformes à tous les codes provinciaux et locaux applicables.
- Il est déconseillé d'installer un dispositif anti-refoulement dans une fosse ou une cave. Il convient de maintenir un passage d'air en dessous de l'ouverture pour éviter une inondation et l'immersion du dispositif, pouvant mener à un raccordement croisé. Watts recommande une installation à l'intérieur et au-dessus du sol dans un boîtier isolé. (Consultez la documentation ES-WB sur le site watts.com.)
- Il convient de placer un tamis en amont du dispositif anti-refoulement pour protéger les disques de tout déversement inutile.

### ⚠ MISE EN GARDE

Prenez soin de ne pas installer de tamis en amont du dispositif anti-refoulement sur les conduites d'eau pour les cas d'urgence, et de ce fait rarement utilisées (c.-à-d. sur les conduites des systèmes d'extinction automatique d'incendie). Les débris présents dans l'eau pourraient potentiellement obstruer le maillage du tamis, avec pour conséquence l'impossibilité pour l'eau de passer pendant une urgence.

- Les décharges, nuisances et rejets ordinaires sont pris en charge par l'usage d'un raccord à lame d'air et d'une conduite d'évacuation indirecte préfabriquée Watts. Il est IMPÉRATIF d'installer des siphons de sol de même taille en cas de refoulement excessif.
- Lors d'une installation avec passage d'air, fixez les supports de passage d'air directement sur le capteur d'inondation.
- Quand un dispositif anti-refoulement de la série 994 s'applique à un service en bout de ligne, une décharge du tuyau de ventilation d'équilibrage peut survenir en raison d'une variation de la pression du réseau d'eau dans des conditions sans écoulement statiques. L'installation d'un clapet anti-retour en amont du dispositif anti-refoulement peut s'avérer nécessaire.

- **ASSEMBLAGE** : Si vous avez dû démonter le dispositif anti-refoulement pendant l'installation, vous DEVEZ le remonter dans le bon ordre. Montez le robinet-vanne doté du robinet de contrôle côté aspiration du dispositif anti-refoulement. Le robinet de contrôle doit se trouver côté aspiration du cône. Un réassemblage mal effectué peut entraîner des dégâts causés par l'eau en raison d'une décharge excessive depuis le passage d'air/le tuyau de ventilation d'équilibrage et un dysfonctionnement du dispositif anti-refoulement.
- Avant l'installation, purgez à fond la conduite pour en retirer les éventuels corps étrangers.
- **DÉMARRAGE** après l'installation initiale et une réparation : Le robinet d'arrêt en aval doit être fermé. Ouvrez lentement le robinet d'arrêt en aval et laissez le dispositif anti-refoulement se remplir peu à peu. Purgez l'air à chaque robinet de contrôle. Quand le dispositif anti-refoulement est plein, ouvrez lentement le robinet d'arrêt en amont et remplissez le système d'alimentation en eau. Il convient d'agir ainsi pour éviter les coups de bélier ou les dommages causés par le choc.

### AVIS

**Le corps de l'ensemble ne doit pas être peint.**

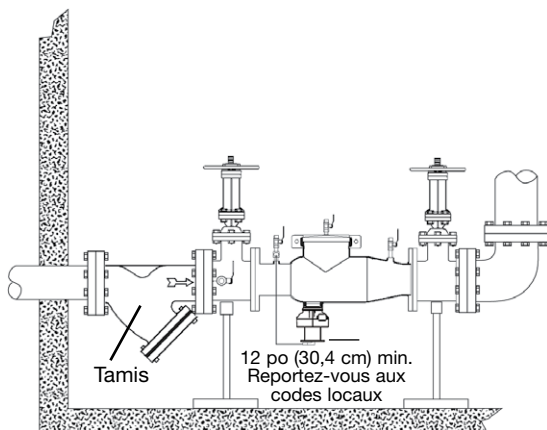
**Il convient de resserrer les boulons des joints d'étanchéité de bride des robinets-vannes pendant l'installation; en effet, ils peuvent s'être desserrés pendant le stockage ou lors du transport.**

TAILLE DE LA SOUPAPE	DÉBITS TYPES SELON LES DIMENSIONS PAR LES FABRICANTS DE SIPHONS DE SOL	
	gal/min	TAILLE DU DRAIN
po		po
2½	55	2
3	112	3
4	170	4
6, 8, 10	350	5

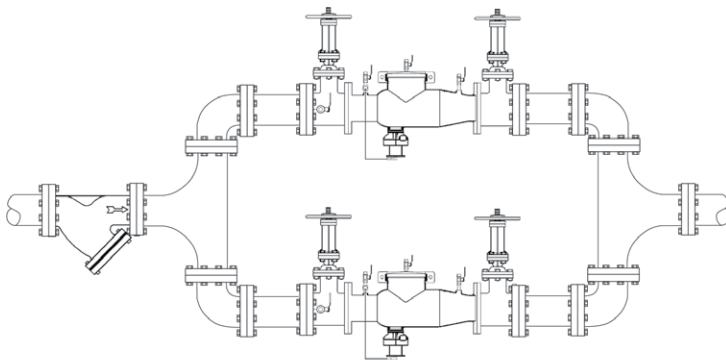
## Installation

- Installez l'ensemble dans une position horizontale. Montez le robinet d'arrêt doté du robinet de contrôle côté aspiration du dispositif anti-refoulement. Le robinet de contrôle se trouve côté aspiration du robinet d'arrêt.
- Toujours installer l'ensemble dans un endroit accessible afin d'en faciliter le testage et l'entretien. Consultez les codes d'État et locaux pour vous assurer que le dispositif anti-refoulement est conformément installé, par ex. à la bonne hauteur par rapport au sol. Le dispositif anti-refoulement doit être supporté et n'est pas conçu pour porter le plein poids du tuyau.
- Évacuez les déversement d'eau de la soupape de décharge doit en accord avec les codes obligatoires. Il convient de ne jamais raccorder solidement la soupape de décharge à une tranchée filtrante, une conduite d'égout ou un puisard. Le déversement doit passer par un raccord à lame d'air Watts fixé à un siphon de sol.
- Il convient de placer une crépine en amont de l'ensemble pour protéger les disques de tout déversement inutile.

### Intérieur



### En parallèle

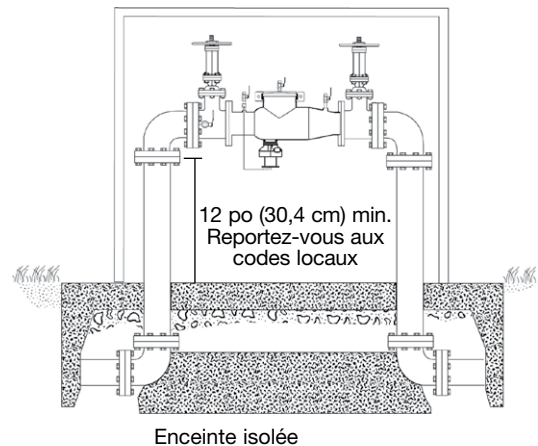
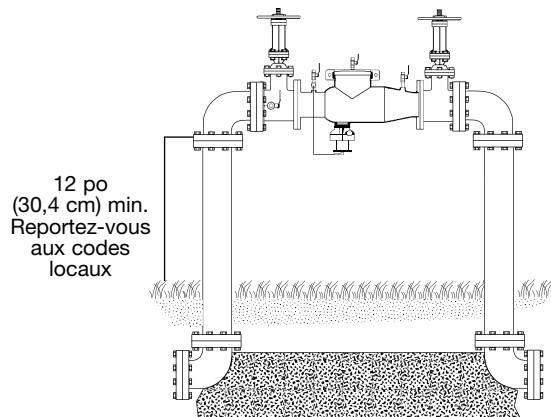


## Démarrage

- Après avoir fermé l'arrêt en aval, ouvrez lentement le robinet en amont, remplissez la soupape et purgez l'air par les robinets de contrôle 2, 3 et 4. Quand la soupape est pleine, ouvrez lentement le robinet en amont et remplissez le système d'alimentation en eau.
- Installez un raccord à lame d'air sur la conduite de purge qui se termine au-dessus d'un siphon de sol afin de permettre de gérer les décharges, nuisances et rejets ordinaires par la soupape de décharge. La taille du siphon de sol peut devoir être ajustée pour éviter les dégâts d'eau causés par une défaillance. Veillez à ne pas réduire la taille de la conduite de purge à partir du raccord à lame d'air.
- Il est possible de raccorder deux soupapes ou plus de plus petite taille en parallèle (sous réserve d'une approbation) pour gérer un plus gros tuyau d'alimentation. Ce type d'installation existe quand il est nécessaire d'avoir une plus grande capacité que celle assurée par une simple soupape et permet le test et l'entretien de chaque soupape sans avoir à fermer tout le système d'alimentation.

L'ingénieur devra décider et déterminer le nombre de dispositifs utilisés en parallèle d'après les conditions de fonctionnement d'une installation spécifique.

### Au-dessus du sol



# Entretien des premier et deuxième anti-retours

4 po – 6 po (10,1 cm à 15,2 cm)

Avant de procéder à l'entretien, assurez-vous que les robinets d'arrêt sont fermés. Ensuite, suivez la procédure suivante pour retirer les ensembles de clapets anti-retour.

1. Ouvrez lentement toutes les robinets à bille pour libérer la pression d'air et d'eau. Desserrez les boulons sur le coupleur à rainure et retirez le raccord de rainure et le couvercle du corps de la vanne. (Voir la figure 1.)
2. Retirez manuellement le clapet antiretour n° 1 en tournant les vis dans le sens antihoraire afin de pouvoir retirer le clapet en le soulevant doucement à travers la zone ouverte. N'utilisez pas le bras antiretour comme poignée pour dévisser l'appareil. Si le clapet ne peut pas être desserré à la main, insérez un long tournevis entre le corps de la soupape et le clapet. (Voir la figure 2.) Appliquez doucement une pression contre le clapet jusqu'à ce qu'il se desserre. Terminez le dévissage à la main. (Voir la figure 3.) Dévissez le clapet antiretour n° 2 en le tournant dans le sens antihoraire, en tenant un long tournevis sur les pattes et en appliquant une pression pour desserrer le clapet. (Voir la figure 4.) Terminez le dévissage à la main.
3. (Pour les modèles de 6 po [15,2 cm] seulement) Pour nettoyer le clapet antiretour n° 1, localiser le goujon d'ouverture du bras antiretour sur la bride de sortie de l'ensemble de soupape. Glissez le bras anti-retour sur le goujon avec les filets du clapet orientés vers le

Figure 1

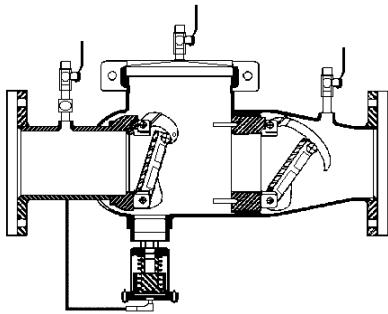


Figure 3

Clapet antiretour n° 1 2 1/2" – 6 po (6,4 cm à 15,2 cm)

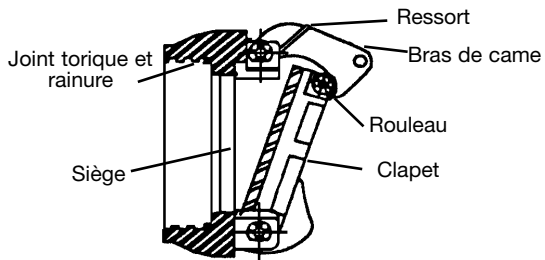
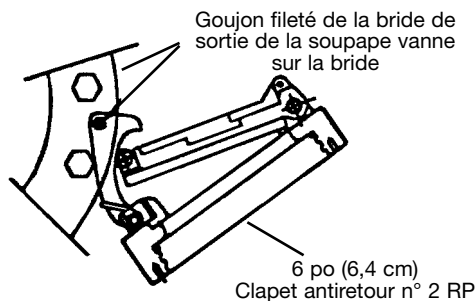


Figure 5A

Goupille ouverte de la barre à cames



bas. (Voir la figure 5A.) Serrer l'écrou de 1/4 (6,3 mm) po sur le goujon pour fixer la barre à cames. Tirez lentement l'ensemble vers l'extérieur pour ouvrir le clapet, permettant ainsi l'exposition de la zone du clapet du siège pour le nettoyage.

Pour nettoyer le clapet n° 2, soulevez le bras de came et maintenez-le en position ouverte. (Voir la figure 4.) Soulevez le clapet de sorte que l'extrémité du bras antiretour repose entre le rouleau et le clapet. (Voir la figure 5B.) Nettoyez soigneusement la zone du siège et les surfaces d'étanchéité des deux clapets. Inspectez les sièges, les surfaces d'étanchéité du clapet, vérifiez les bras et les joints toriques pour déceler tout dommage, entaille ou débris. Si aucun dommage n'est décelé, fermez doucement le clapet. Si un dommage est décelé, installez un nouvel ensemble de clapet antiretour ou joint torique, ou les deux.

4. Avant de réinstaller les clapets, nettoyez soigneusement la rainure du joint torique et lubrifiez le joint torique avec un lubrifiant approuvé par la FDA. Insérez et vissez d'abord le clapet antiretour n° 2, puis n° 1. Le clapet antiretour n° 2 doit être serré en insérant un long tournevis entre les pattes pour serrer fermement. (Voir la figure 2.) Ne pas trop serrer. Serrez fermement le clapet antiretour n° 1 à la main seulement. Remplacez le couvercle, nettoyez le joint de rainure du coupleur et la rainure. Remplacez le coupleur à rainure. Remettez tous les robinets d'essai sous pression et en purger l'air.

Figure 2

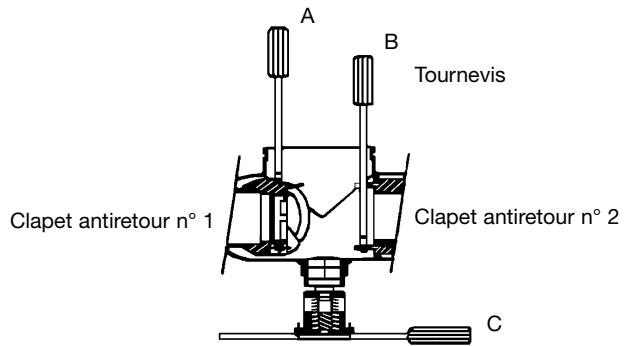


Figure 4

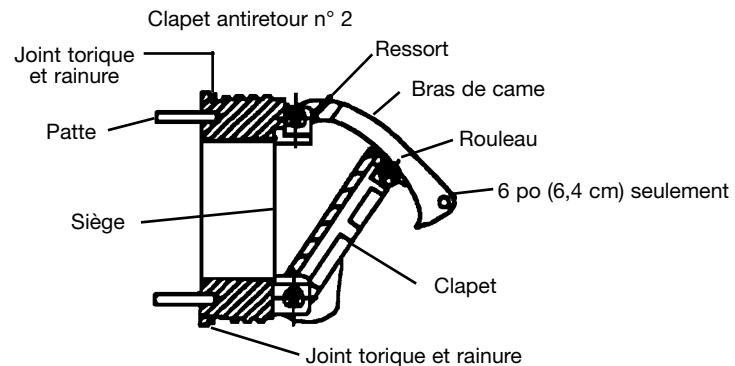
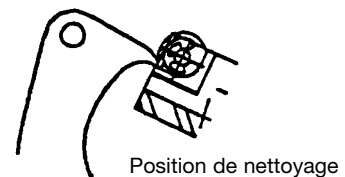


Figure 5B





# Entretien des premier et deuxième anti-retours

## 8 – 10 po (20,3 cm à 25,4 cm)

Avant de procéder à l'entretien, assurez-vous que les robinets d'arrêt sont fermés. Ensuite, suivez la procédure suivante pour retirer les ensembles de clapets anti-retour.

1. Ouvrez lentement toutes les robinets à bille pour libérer la pression d'air et d'eau. Desserrez les boulons sur le coupleur à rainure et retirez le raccord de rainure et le couvercle du corps de la vanne.
2. (Pour le clapet antiretour n° 1) À l'aide d'une clé à douille de  $\frac{9}{16}$  po (14,2 mm) ou d'un tournevis à douille, retirez les quatre écrous des goujons du clapet antiretour n° 1. (Voir la figure 1.) À l'aide de deux mains, placez l'une à 12 heures et l'autre à 6 heures, et remuez l'ensemble de clapet pour le dégager. Retirez le clapet antiretour par le port d'accès en passant l'arrière du clapet en premier, avec l'extrémité à ressort vers le bas. Retirez l'ensemble de clapet antiretour du corps principal. Inspectez les sièges et les surfaces d'étanchéité du clapet. (Voir la figure 2.)  
(Pour le clapet antiretour n° 2) Après avoir desserré les boulons avec une douille de  $\frac{9}{16}$  po (14,2 mm), retirez complètement les boulons. À l'aide de la barre d'accès centrale, faites tourner l'ensemble de clapet

de la position 9 heures à la position 12 heures. Sans relâcher la barre d'accès, poussez l'ensemble de came légèrement en aval afin que le clapet soit parallèle au corps de la soupape. (Voir la figure 3.) Faire passer l'ensemble de clapet antiretour à travers la paroi de retenue, en laissant l'ensemble parallèle au corps de la soupape. Tirez l'ensemble de clapet antiretour à travers le port d'accès.

3. Pour relâcher la tension du ressort de torsion, placez un tournevis à douille de  $\frac{3}{8}$  po (9,5 mm) ou un morceau de tuyau de petit diamètre sur le ressort de torsion du bras antiretour, et déplacez-le autour et vous éloignant du support de fixation du ressort de torsion. (Voir la figure 4.) Cela permettra au bras de clapet de se déplacer librement, permettant l'inspection de la face et du siège du clapet. Nettoyez soigneusement la zone du siège et les surfaces d'étanchéité du clapet, vérifiez les bras et les joints toriques afin de détecter tout dommage, entaille ou débris. Si vous constatez des dommages, installez un nouvel ensemble de clapet antiretour, joint torique, ou les deux.
4. Avant de réinstaller les ensembles de clapets antiretour, nettoyez soigneusement la rainure du joint torique et lubrifiez le joint torique avec un lubrifiant approuvé par la FDA.

Figure 1

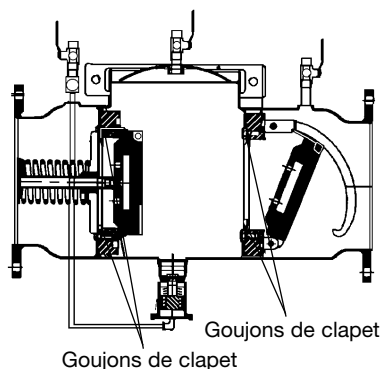


Figure 2

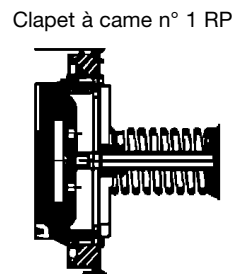


Figure 3

Clapet à came n° 2 DC et RP

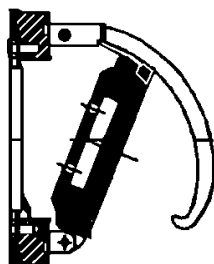
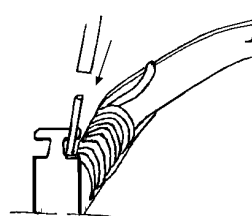


Figure 4



# Inspection et nettoyage du premier clapet

## **⚠ DANGER**

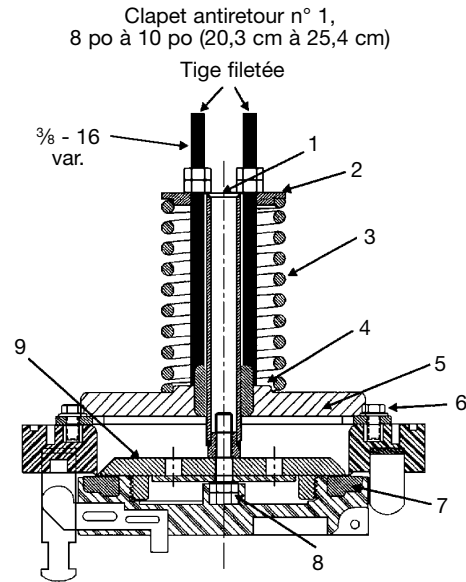
### Faites preuve d'une extrême prudence lors de l'entretien du premier clapet!

Suivez la procédure suivante et reportez-vous à l'illustration ci-jointe pour inspecter le siège et nettoyer le siège et la rondelle du clapet.

- Après avoir retiré le premier clapet antiretour du corps de la soupape de refoulement, placez-le sur une surface plane avec le ressort du serpentin orienté vers le haut.
- Pour accéder au siège et à l'anneau de caoutchouc du clapet, comprimez le ressort (élément 3) qui entoure l'arbre du clapet (élément 1) en plaçant la tige filetée de  $\frac{3}{8}$  po (9,5 mm) dans les deux trous de la plaque de retenue du ressort (élément 2).
- Après avoir placé la tige entièrement filetée de  $\frac{3}{8}$  po (9,5 mm) à travers la plaque de retenue du ressort, visser la tige filetée dans les trous (élément 4) à la base de « l'araignée » (élément 5, près de l'arbre). Assurez-vous d'utiliser deux écrous sur la tige filetée pour les serrer dans les trous. La profondeur des trous filetés doit être d'environ  $\frac{1}{2}$  po (1,2 cm). Cette opération nécessite l'utilisation de deux morceaux de tige filetée.
- Comprimez le ressort en desserrant l'écrou supérieur de  $\frac{3}{8}$  po (9,5 mm) et en le dévissant sans dévisser la tige filetée de « l'araignée ». Placez une clé polygonale ou une clé à molette sur l'écrou de  $\frac{3}{8}$  po (9,5 mm) le plus près de la plaque de retenue du ressort et serrez. Serrez la tige filetée et l'écrou de manière égale : faites quelques tours sur un écrou de tige filetée et quelques tours sur l'autre, répétez en alternant entre les deux jusqu'à avoir terminé.
- Pendant la compression, le clapet se déplace lentement vers le haut, loin du siège. Pour examiner le siège, continuez la compression du ressort jusqu'à ce que le clapet se déplace d'environ 1 po (2,5 cm) du siège. Cela permettra de retirer les débris et d'examiner le siège.
- Pour décharger la compression du ressort, desserrez le filetage complet, puis doublez l'écrou du filetage complet et dévissez la tige de l'araignée et de la base de l'arbre.

Outils nécessaires :

- Deux morceaux de tige filetée de  $\frac{3}{8}$  po (9,5 mm) (environ 14 po [35,5 cm] de long)
- Clé ajustable
- Clé à tuyau ou pince à rainures

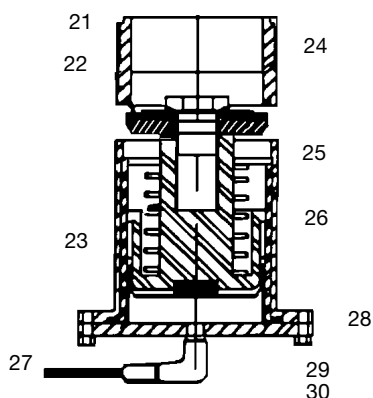


ÉLÉMENT	DESCRIPTION
1	Arbre
2	Plaque de retenue du ressort
3	Ressort
4	Trou fileté de $\frac{3}{8}$ po (9,5 mm) (entretien)
5	« Araignée »
6	Boulon de retenue de « l'araignée »
7	Anneau de siège
8	Clapet, boulon de l'arbre
9	Dispositif de retenue de la bague de siège

# Entretien de la soupape de décharge

La soupape de décharge peut être entretenue lorsque reliée ou non à la soupape anti-refoulement. Arrêter le système d'eau avant tout entretien. (Voir les composants de la soupape de décharge à la figure 1.)

Figure 1



ÉLÉMENT	DESCRIPTION	QUANTITÉ
21	Corps de la soupape de décharge	1
22	Disque d'arrêt en caoutchouc	1
23	Ensemble de membrane du piston	1
24	Boulon à tête hexagonale	4
25	Disque de retenue	1
26	Manchon	1
27	Boulon inférieur	1
28	Bride inférieure (avec coude en acier inoxydable)	1
29	Coude en m inférieur	1
30	Disque de joint torique	1

## AVIS

N'utilisez pas une clé à tuyau pour retirer l'ensemble de soupape de décharge du dispositif antirefoulement.

### Pour démonter la soupape de décharge

- Détachez le module d'activation, le cas échéant, du capteur d'inondation, puis utilisez un tournevis cruciforme n° 2 pour retirer le capteur de la soupape de décharge.
- Débranchez le tuyau de la soupape de décharge du coude dans le couvercle de la bride inférieure au niveau du raccord du tuyau pivotant. Ne retirez pas le coude.
- Si la soupape doit être retirée du dispositif antirefoulement pour entretien, placez une lame de tournevis ou une barre plate sur les bords de deux des vis à tête hexagonale dans le couvercle de la bride inférieure et tournez dans le sens antihoraire pour desserrer l'ensemble de la soupape de décharge.
- Retirez les quatre boulons inférieurs du bas de l'ensemble de la soupape de décharge avec une douille de  $\frac{5}{16}$  po (7,9 mm) ou une clé à fourche. Retirez le couvercle de la bride inférieure.
- Retirez le piston et le manchon du corps de la soupape de décharge en plaçant les index dans les fentes sur le côté du corps et en appuyant sur le dessus du dispositif de retenue du disque sur le dessus du piston. (Voir la figure 2.) Retirez l'ensemble de piston du corps en saisissant le manchon et en tirant vers le bas.

Figure 2

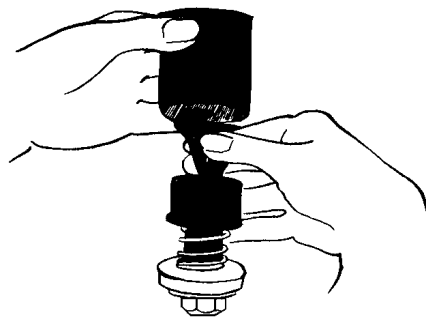


- Saisissez le manchon et le piston par la tête du boulon à tête hexagonale. Tirez sur le manchon pour étendre la membrane. Glissez le manchon (élément 26) complètement hors de la membrane et inspectez la membrane pour déceler des déchirures, des trous ou des plis excessifs. Si la membrane est endommagée, commandez-en une nouvelle.

### Pour remonter la soupape de décharge

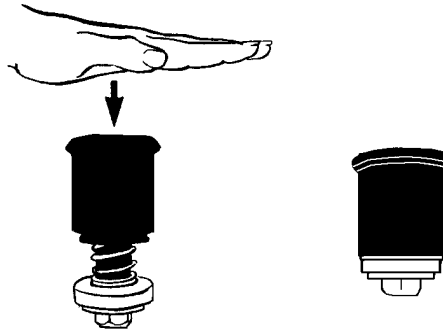
- Nettoyez soigneusement toutes les surfaces intérieures du corps de la soupape de décharge.
- Inspectez la surface du siège du corps de la soupape de décharge située sur le bord supérieur des trois fentes de décharge près du haut du corps en frottant l'extrémité d'un index sur toute la surface du siège; accédez la surface du siège par l'entremise des fentes ou le bas du corps. Le siège doit être exempt d'entailles. Si des entailles sont présentes, retirez le corps et installez un nouvel ensemble de soupape de décharge.
- Positionnez la membrane sur le piston de manière à ce qu'elle soit orientée vers le haut. (Voir la figure 3.)

Figure 3



- Pliez le bord supérieur (strié) de la membrane vers l'intérieur, saisissez le manchon avec le bord **strié vers le haut et** glissez le manchon vers le bas sur l'ensemble de piston.
- Tout en maintenant le manchon, glissez-le vers le haut sur la membrane et, à l'aide du pouce et de l'index, positionner le cordon de la membrane de manière à ce qu'il enveloppe l'extérieur de la nervure sur le dessus du manchon de sorte à ce que le manchon soit maintenu en place par la membrane. Placez le piston sur une surface plane et fermez avec la membrane orientée vers le haut. (Voir la figure 4.)

Figure 4



- Formez une cuillère avec votre main et donnez une forte claquer sur l'extrémité ouverte de la membrane pour forcer le manchon à descendre vers le bas sur le piston et ainsi créer un piège à air. L'air emprisonné dans la membrane forcera à occuper l'espace entre l'intérieur du manchon et l'extérieur du piston. Assurez-vous que la membrane soit bien en place. Si la membrane est ridée, répétez l'étape précédente.
- Glissez le piston et le manchon dans le corps de la soupape de décharge avec en faisant passer d'abord le boulon à tête hexagonale dans la bride à l'extrémité du corps. Glissez le piston vers l'intérieur jusqu'à ce que la lèvre de la membrane soit bien en place dans la rainure usinée dans la bride à l'extrémité du corps. Glissez un index autour de l'extérieur de la bille de membrane pour vous assurer qu'elle est bien en place.
- Positionnez le couvercle inférieur de la bride sur le bas du corps de la soupape de décharge et fixez-le en serrant à la main les quatre boulons inférieurs.
- Serrez les quatre boulons inférieurs à environ 15 pi-lb avec une douille de  $\frac{5}{16}$  po (7,9 mm) ou une clé à fourche, puis rattachiez le tuyau de la soupape de décharge au coude dans le couvercle de la bride inférieure. Refixez le capteur d'inondation à la soupape de décharge et montez le module d'activation sur le capteur.

# Essai

La procédure de test suivante est l'une des nombreuses procédures reconnues partout aux États-Unis pour tester les dispositifs antirefoulement.

La procédure ne constitue pas spécifiquement une recommandation. Les trousseaux d'essai Watts sont conformes à toute procédure de test de refoulement reconnue.

Terminez ces préparatifs avant de commencer la séquence de test sur l'ensemble de refoulement.

1. Ouvrez le robinet d'essai n° 4 et rincez les robinets d'essai n° 1, n° 2 et n° 3.
2. Fermez le robinet de contrôle n° 4.
3. Allumez le testeur avant de brancher les tuyaux. Le testeur doit afficher tous les zéros.
4. Fermez VA et VB.

## Test n° 1 - Soupape de décharge

1. Installez le tuyau côté haut entre le robinet d'essai n° 2 et le raccord A du testeur.
2. Installez le tuyau côté bas entre le robinet d'essai n° 3 et le raccord B du testeur.
3. Ouvrez le robinet d'essai n° 3, puis VB. Maintenant, ouvrez lentement le robinet d'essai n° 2, puis VA. Fermez VA puis VB.
4. Fermez le robinet d'arrêt n° 2.
5. Observez la pression différentielle apparente du premier clapet antiretour (A - B).

6. Installez le tuyau de dérivation entre VA et VB. Ouvrez le clapet antiretour et purgez l'air en desserrant le raccord du tuyau à VA. Serrez le raccord du tuyau et fermez VB.

### Poussez - Print Head (attendre) puis poussez - Start Test

7. Ouvrez VA, puis ouvrez lentement VB (pas plus qu'un 1/4 de tour). Lorsque la soupape de décharge s'écoule, appuyez sur le bouton Hold pendant 2 secondes. Enregistrez la lecture; doit être de 2 PSID ou plus.

### Poussez - Stop Test

8. Fermez VA et VB.

## Test no 2 - Clapet antiretour n° 2

1. Installez le tuyau de dérivation entre VA et le robinet d'essai n° 4. Ouvrez VA, puis purgez l'air en desserrant le raccord du flexible au robinet d'essai n° 4. Serrez le raccord du tuyau. Fermez VA.

### Poussez - Start Test

2. Ouvrez VB pour rétablir la pression dans la zone. Fermez VB.
3. Ouvrez le robinet d'essai n° 4, puis ouvrez AV. Si la soupape de décharge ne coule pas, enregistrez le deuxième clapet antiretour comme étant « close tight » (étanche).

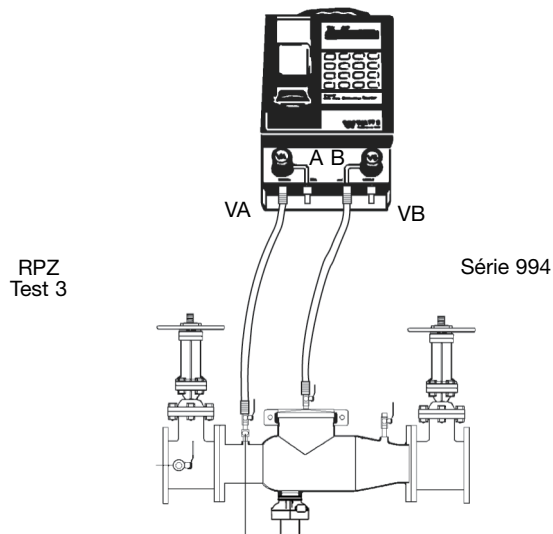
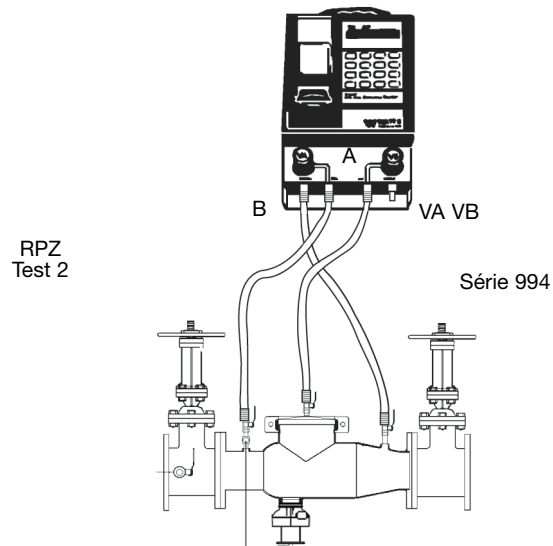
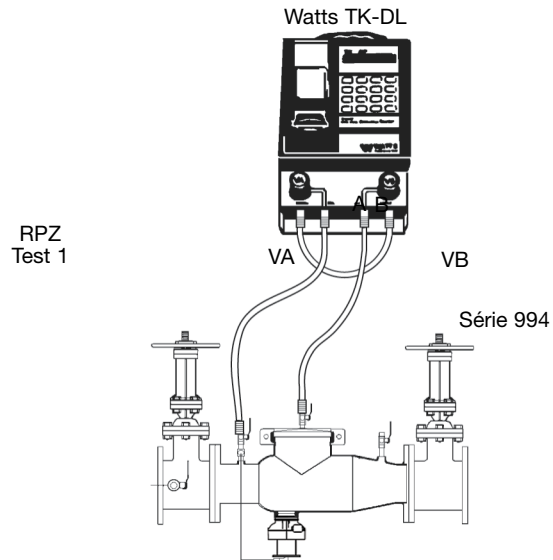
## Test no 3 - Clapet antiretour n° 1

1. Ouvrez VB pour rétablir la pression différentielle du premier clapet. Fermez VB. Notez la pression différentielle.

### Arrêtez le test (Appuyez deux fois sur Stop Test)

2. Fermez les robinets d'essai et retirez le testeur, remettez l'ensemble en état de fonctionnement normal.



Pour de plus amples renseignements sur les tests, consultez la documentation IS-TK-9A et IS-TK-99E sur watts.com.





# Dépannage

PROBLÈME	CAUSE	SOLUTION
Décharge de la soupape de décharge différentielle en l'absence de débit	Premier clapet encrassé	Démontez et nettoyez le clapet antiretour n° 1
	Fluctuation de la pression d'entrée	Contrôlez la pression d'eau de la conduite d'alimentation Installez un clapet antiretour à ressort et à siège souple en amont de l'ensemble
	Pression de sortie supérieure à la pression d'entrée et fuite dans le clapet antiretour n° 2	Démontez et nettoyez le clapet antiretour n° 2 et identifiez la cause de la contrepression
	Fuite à travers la membrane ou autour des trous de boulon de la bride de la soupape de décharge	Procédez à l'entretien de la soupape de décharge
	La soupape de décharge ne se ferme pas	Voir le problème « La soupape de décharge ne se ferme pas »
Décharge de la soupape de décharge différentielle en l'absence de débit	Clapet antiretour n° 1 coincé en position ouverte	Démontez et nettoyez le clapet antiretour n° 1
	Joint torique sorti de la rainure du clapet antiretour n° 1	Démontez et remplacez-le
	La soupape de décharge ne se ferme pas	Voir le problème « La soupape de décharge ne se ferme pas »
	Fluctuation de la pression de la conduite	Installez un clapet de maintien de pression en amont du refoulement
La soupape de décharge de pression différentielle ne s'ouvre pas pendant le test	La pression différentielle entre le clapet antiretour n° 1 reste supérieure à 2,0 psi en raison d'une fuite du robinet-vanne de sortie	Réparez les robinets d'arrêt
	Ressort de soupape de décharge faible ou cassé	Démontez et remplacez le ressort de la soupape de décharge
	Tube du siège d'arrêt fixé dans le corps	Démontez et réparez
	Tuyau hydraulique bouché	Démontez et réparez
La soupape de décharge ne se ferme pas	Débris sur la surface d'étanchéité	Retirez la soupape de décharge et nettoyez
	Tuyau hydraulique bouché	Démontez et nettoyez
	Siège endommagé ou disque d'arrêt en caoutchouc	Retirez l'ensemble de soupape de décharge et remplacez-le
	Membrane rompue	Démontez et remplacez la membrane
	Membrane plissée ou mal installée	Démontez et positionnez correctement la membrane

## Troussets de connexion de capteur complémentaire et de modernisation pour les systèmes de gestion de bâtiment

CODE DE COMMANDE	TROUSSE COMPLÉMENTAIRE/DE MODERNISATION	DESCRIPTION
88009418	 <p>FP-BF-BMS Trousse de raccordement de capteur BMS Série 994, 994RPDA Tailles 2½ po à 10 po (6,3 cm à 24,4 cm)</p>	Comprend un module d'activation de capteur avec câble, un fil de mise à la terre, et un adaptateur d'alimentation. Utilisez cette trousse pour activer le capteur d'inondation et activer la fonctionnalité de détection des inondations sur la soupape de décharge lors d'une nouvelle installation avec contrôleur BMS (non inclus).
88009419	 <p>FFP-RFK-BF-BMS-CFS Trousse de raccordement de mise à niveau de capteur BMS Série 994, 994RPDA Tailles 2½ po à 10 po (6,3 cm à 24,4 cm)</p>	Comprend un capteur d'inondation, un module d'activation de capteur avec câble, un fil de mise à la terre, et un adaptateur d'alimentation. Utilisez cette trousse pour ajouter des capacités de détection des inondations à la soupape de décharge d'une installation existante avec contrôleur BMS (non inclus).

## Troussets de connexion de capteur complémentaire et de modernisation pour communication cellulaire

CODE DE COMMANDE	TROUSSE COMPLÉMENTAIRE/DE MODERNISATION	DESCRIPTION
88009420	 <p>FP-BF-CFS Trousse de raccordement de capteur cellulaire Série 994, 994RPDA Tailles 2½ po à 10 po (6,3 cm à 24,4 cm)</p>	Comprend un module d'activation de capteur avec câble, une passerelle cellulaire avec trousse de montage, un fil de mise à la terre, et un adaptateur d'alimentation. Utilisez cette trousse pour activer le capteur d'inondation et activer la fonctionnalité de détection des inondations sur la soupape de décharge lors d'une nouvelle installation avec réseau cellulaire pour envoi d'alertes par message par courriel, message texte ou appel vocal.
88009421	 <p>FP-RFK-BF-CFS Trousse de raccordement de mise à niveau de capteur cellulaire Série 994, 994RPDA Tailles 2½ po à 10 po (6,3 cm à 24,4 cm)</p>	Comprend un capteur d'inondation, un module d'activation de capteur avec câble, une passerelle cellulaire avec trousse de montage, un fil de mise à la terre, et un adaptateur d'alimentation. Utilisez cette trousse pour installer le capteur d'inondation intégré et activer la fonctionnalité de détection des inondations sur la soupape de décharge lors d'une installation existante avec réseau cellulaire pour envoi d'alertes par message par courriel, message texte ou appel vocal.

# Remarques

Ruled lines for notes.

**Garantie limitée :** Watts (la « Société ») garantit que chacun de ses produits est exempt de vice de matériau et de fabrication dans des conditions normales d'utilisation pour une période d'un an à compter de la date d'expédition d'origine. Si une telle défaillance devait se produire au cours de la période sous garantie, la Société pourra, à sa discrétion, remplacer le produit ou le remettre en état, sans frais. **LA PRÉSENTE GARANTIE EST DONNÉE EXPRESSÉMENT ET CONSTITUE LA SEULE GARANTIE DONNÉE PAR LA SOCIÉTÉ EN CE QUI CONCERNE LE PRODUIT. LA SOCIÉTÉ NE FORMULE AUCUNE AUTRE GARANTIE, EXPRESSE OU IMPLICITE. LA SOCIÉTÉ DÉCLINE AUSSI FORMELLEMENT PAR LA PRÉSENTE TOUTE AUTRE GARANTIE, EXPRESSE OU IMPLICITE, Y COMPRIS, SANS S'Y LIMITER, LES GARANTIES IMPLICITES DE QUALITÉ MARCHANDE ET D'APTITUDE À UN USAGE PARTICULIER.**

Le dédommagement précisé dans le premier paragraphe de cette garantie constitue la seule et unique alternative en cas de service demandé au titre de cette garantie et la Société ne pourra être tenue responsable de dommages spéciaux ou indirects, incluant, sans s'y limiter : pertes de profit, coûts de réparation ou de remplacement des autres biens ayant été endommagés si ce produit ne fonctionne pas correctement, autres coûts afférents aux frais de main-d'œuvre, de retards, de vandalisme, de négligence, d'engorgement causés par des corps étrangers, de dommages causés par des propriétés de l'eau défavorables, des produits chimiques ou toute autre circonstance indépendante de la volonté de la Société. La présente garantie est déclarée nulle et non avenue en cas d'usage abusif ou incorrect, d'application, d'installation ou d'entretien incorrects ou de modification du produit.

Certains États n'autorisent pas les limitations de durée d'une garantie tacite, ni l'exclusion ou la limitation des dommages accessoires ou indirects. En conséquence, les limitations susmentionnées pourraient ne pas s'appliquer à votre cas. Cette garantie limitée vous confère des droits spécifiques reconnus par la loi; vous pourriez également avoir d'autres droits, lesquels varient d'un État à l'autre. Vous devez donc prendre connaissance des lois étatiques applicables pour déterminer vos droits. **LA DURÉE DE TOUTE GARANTIE IMPLICITE PRÉVUE PAR LA LOI EN APPLICATION ET DEVANT DONC ÊTRE ASSUMÉE, Y COMPRIS LES GARANTIES IMPLICITES DE QUALITÉ MARCHANDE ET D'APTITUDE À UN USAGE PARTICULIER, SERA LIMITÉE À UN AN À PARTIR DE LA DATE DE L'EXPÉDITION D'ORIGINE.**



É.-U. : Tél. : (978) 689-6066 • Watts.com

Canada : Tél. : (888) 208-8927 • Watts.ca

Amérique latine : Tél. : (52) 55-4122-0138 • Watts.com



# Manual de instalación, mantenimiento y reparación

## Serie 994 y 994RPDA

Ensamblaje de zona de presión reducida

Ensamblaje de detector de presión reducida

2½" a 10" (6.35 a 25.4 cm)

### ⚠ ADVERTENCIA



Lea este manual **ANTES** de utilizar este equipo. No leer ni seguir toda la información de seguridad y uso puede provocar la muerte, lesiones físicas graves, daños a la propiedad o al equipo.



Guarde este manual para futuras consultas.

### ⚠ ADVERTENCIA

Los reglamentos locales de construcción o plomería pueden requerir modificaciones a la información proporcionada. Debe consultar los reglamentos locales de construcción y plomería antes de realizar la instalación. Si la información proporcionada aquí no coincide con los reglamentos locales de construcción o plomería, se deben seguir los reglamentos locales. Un contratista con licencia debe instalar este producto de acuerdo con los reglamentos y las disposiciones locales.

### ⚠ ADVERTENCIA

**Se requiere inspección y mantenimiento periódicos:** Este producto se debe probar periódicamente de conformidad con los reglamentos locales y al menos una vez al año o más, según lo requieran las condiciones de servicio. Condiciones de agua corrosiva, o ajustes o reparaciones no autorizados pueden provocar que el producto no sea efectivo para el uso previsto. La verificación y limpieza periódica de los componentes internos del producto ayudan a garantizar la máxima vida útil y el correcto funcionamiento del producto.

### ⚠ ADVERTENCIA

Este dispositivo se debe probar periódicamente de conformidad con los reglamentos locales y al menos una vez al año o más, según lo requieran las condiciones de servicio. Si se instala en un sistema de aspersores contra incendios, todas las retenciones de mi tipo, como retenciones de alarmas, retenciones únicas y prevenciones de flujo de retorno, deben inspeccionarse internamente cada uno a cinco años de acuerdo con NFPA 13 A y NFPA 25.

### AVISO

(Para Australia y Nueva Zelanda) Se deben instalar filtros de línea entre la válvula de cierre de aguas arriba y la entrada del inhibidor de flujo de retorno.

Consulte con las autoridades competentes para conocer los requisitos locales de instalación.

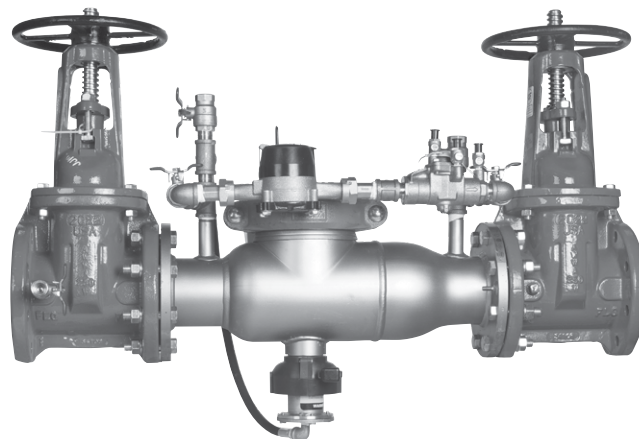
### Pruebas

Para el procedimiento de prueba de campo, consulte las hojas de instalación de Watts IS-TK-9A, IS-TK-99D, y el IS-TK-99E en [watts.com](http://watts.com)

Para obtener una guía de resolución de problemas, consulte la documentación S-TSG.

Para otros kits de reparación y piezas de repuesto, consulte la lista de precios de piezas de repuesto y kits de reparación de productos de prevención de flujo de retorno PL-RP-BPD en [watts.com](http://watts.com)

Para obtener asistencia técnica, póngase en contacto con su representante local de Watts.



994RPDA-OSY-GPM con sensor de inundación

Tanto la serie 994 como la 994RPDA incluyen cada una un sensor de inundación que detecta descargas excesivas de la válvula de alivio y activa la notificación de posibles eventos de inundación.

### AVISO

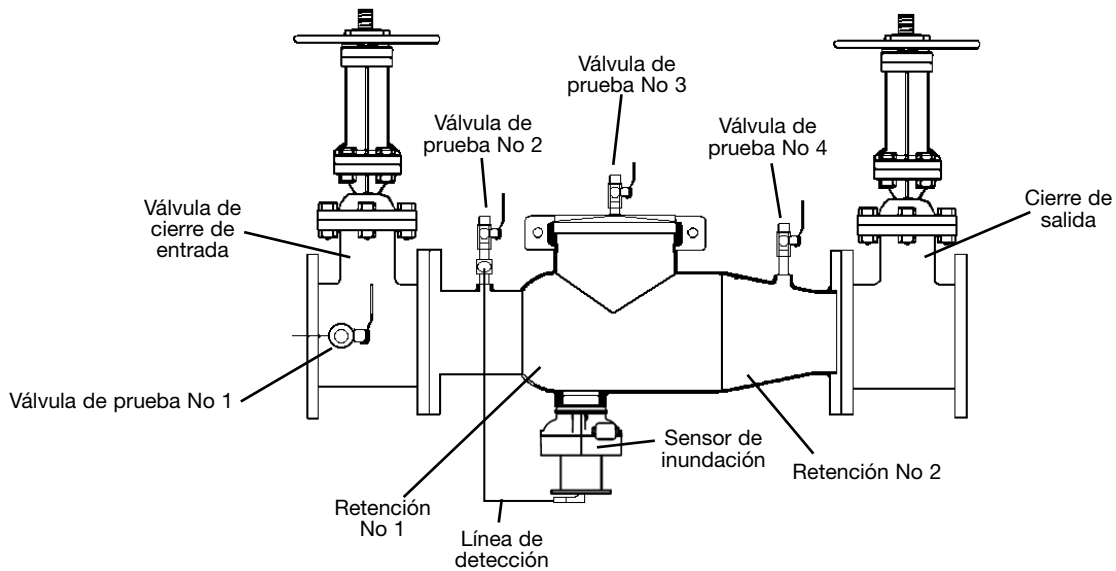
Se requiere un kit de complemento de conexión para activar el sensor de inundación. Sin el kit de conexión, el sensor de inundación es un componente pasivo que no se comunica con ningún otro dispositivo. (También está disponible un kit de conexión de sensor de retroadaptación para instalaciones existentes. Consulte "Kits de conexión de sensores de complemento y retroadaptación" para obtener detalles del pedido.)

### AVISO

El uso del sensor de inundación no sustituye la necesidad de cumplir con todas las instrucciones, códigos y reglamentos requeridos relacionados con la instalación, el funcionamiento y el mantenimiento de este producto, incluida la necesidad de proporcionar un drenaje adecuado en caso de una descarga.

Watts no es responsable de la falla de las alertas debido a problemas de conectividad, cortes de energía o instalación incorrecta.

# Pautas de instalación



## Consideraciones

- Los inhibidores de flujo de retorno deben instalarse en condiciones de alta visibilidad para permitir la notificación inmediata de descarga o de la descarga reveladora. Esta ubicación también debe facilitar las pruebas y el mantenimiento, y proteger contra la congelación y el vandalismo.
- Los procedimientos de instalación deben cumplir con todos los códigos estatales y de estado.
- No se recomienda instalar un inhibidor de flujo de retorno en un pozo o bóveda. Debe mantenerse un espacio de aire debajo del puerto de alivio para evitar inundaciones e inmersiones del ensamble, lo que puede provocar una conexión cruzada. Watts recomienda instalaciones en puertas o sobre el suelo en un recinto cerrado. (Consulte la documentación ES-WB en watts.com).
- Se debe instalar un filtro delante del inhibidor de flujo de retorno para evitar que el disco se ensucie innecesariamente.

### **⚠ PRECAUCIÓN**

No instale un filtro delante del inhibidor de flujo de retorno en líneas de agua de emergencia que rara vez se usan, como las líneas de aspersores contra incendios. La malla del filtro podría obstruirse con residuos presentes en el agua y causar la obstrucción del agua durante una emergencia.

- La descarga normal y las salpicaduras molestas son atendidas con un empalme de espacio de aire de Watts y una línea de residuos indirectos fabricada. DEBEN proporcionarse desagües en el piso del mismo tamaño en caso de descarga excesiva.
- Al instalar un espacio de aire, fije los soportes del espacio de aire directamente en el sensor de inundación.
- Cuando se instala un inhibidor de flujo de retorno de la serie 994 para aplicaciones de servicio sin salida, se puede producir una descarga de la ventilación de alivio debido a fluctuación la presión de suministro de agua durante condiciones estáticas sin flujo. Es posible que se requiera una válvula de retención antes del inhibidor de flujo de retorno.

- ENSAMBLE: Si el inhibidor de flujo de retorno se desmonta durante la instalación, DEBE volver a montarse en el orden correcto. La válvula de compuerta con la válvula de prueba debe montarse en el lado de entrada del inhibidor de flujo de retorno. La válvula de prueba debe estar en el lado de entrada de la cuña. Si no se vuelve a montar correctamente, se pueden producir daños en el dispositivo debido a una descarga excesiva del puerto/ventilación de alivio y a la posible malas condiciones del inhibidor de flujo de retorno.
- Antes de la instalación, lave a fondo la tubería para eliminar cualquier material extraño.
- PUESTA EN MARCHA en las instalaciones iniciales y después del mantenimiento: El cierre de corriente descendente debe cerrarse. Abra lentamente el cierre de aguas arriba y permita que el inhibidor de flujo de retorno se llene lentamente. Purgue el aire en cada válvula de prueba. Cuando el inhibidor de flujo de retorno esté lleno, abra lentamente el cierre de aguas abajo y llene el sistema de suministro de agua. Esto es necesario para evitar golpes de ariete o daños por golpes.

### **AVISO**

El cuerpo del conjunto no debe pintarse.

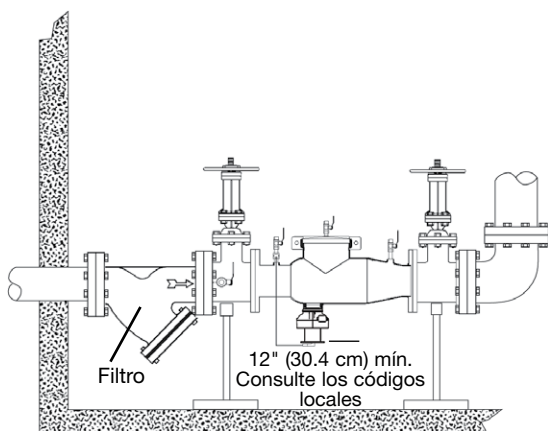
Los pernos de la junta de brida de las válvulas de compuerta deben ser reajustados durante la instalación debido a que los pernos pueden haberse aflojado durante el almacenamiento o envío.

MEDIDA DE LA VÁLVULA	FLUJOS TÍPICOS SEGÚN EL TAMAÑO DE LOS FABRICANTES DE DESAGÜES DE SUELO	TAMAÑO DE DRENAJE
<i>in</i>	<i>gpm</i>	<i>in</i>
2½	55	2
3	112	3
4	170	4
6, 8, 10	350	5

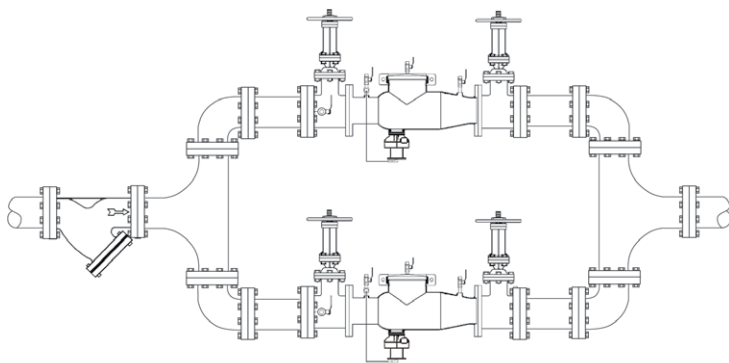
## Instalación

- Instale el ensamble en una posición horizontal. La válvula de cierre con la válvula de prueba debe montarse en el lado de entrada del inhibidor de flujo de retorno. La válvula de prueba se encuentra en el lado de entrada de la válvula de cierre.
- Instale siempre el ensamble en un lugar accesible para facilitar las pruebas y el mantenimiento. Verifique los reglamentos estatales y locales para asegurarse de que el inhibidor de flujo de retorno esté instalado en cumplimiento, como la altura adecuada sobre el suelo. El inhibidor de flujo de retorno debe estar apoyado y no está diseñado para llevar una carga completa de la tubería vertical.
- Descarga de agua de la ventila de la válvula de alivio de conformidad con los requerimientos del código. La válvula de alivio nunca debe conectarse sólidamente a un canal de desagüe, alcantarillado o sumidero. La descarga debe canalizarse a través de un accesorio de espacio de aire Watts canalizado a un desagüe del piso.
- Instalar un filtro delante del ensamble para proteger los discos de suciedad innecesaria.

### Interiores



### Paralelo

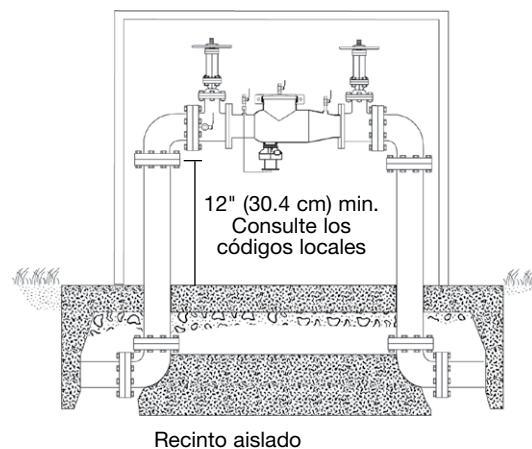
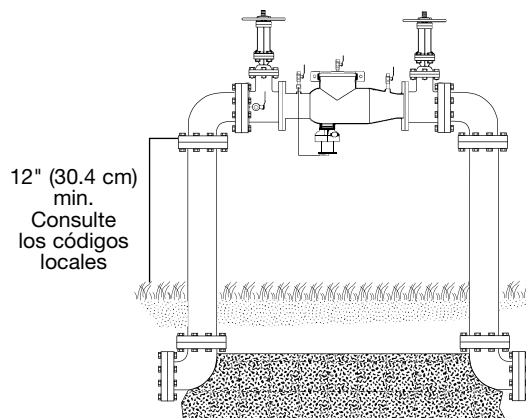


## Arranque

- Después de cerrar el cierre aguas abajo, abra lentamente el cierre aguas arriba, llene la válvula y purgue el aire a través de las llaves de prueba No 2, No 3 y No 4. Cuando la válvula esté llena, abra lentamente el cierre aguas abajo y llene el sistema de suministro de agua.
- Instale un espacio de aire con la línea de drenaje terminando por encima de un drenaje del suelo para manejar cualquier descarga normal o molesta a través de la válvula de alivio. Es posible que el tamaño del desagüe del suelo tenga que estar diseñado para evitar daños causados por el agua causados por una condición de falla. No reduzca el tamaño de la línea de drenaje del accesorio del espacio de aire.
- Considere la posibilidad de conectar dos o más válvulas más pequeñas en paralelo, cuando se apruebe, para servir a una tubería principal de suministro grande. Este tipo de instalación se emplea cuando se necesita aumentar la capacidad más allá de lo que proporciona una sola válvula y permite probar o dar mantenimiento de una válvula individual sin apagar la línea completa.

La cantidad de ensambles utilizadas en paralelo se determinan en base al juicio del ingeniero según las condiciones operativas de la instalación específica.

### Sobre el suelo



# Mantenimiento de las primeras y segundas retenciones

## 4" – 6" (10.1 cm a 15.2 cm)

Antes de realizar tareas de mantenimiento, asegúrese de que las válvulas de cierre estén cerradas. Luego utilice el siguiente procedimiento para retirar los conjuntos de retención.

1. Abra lentamente todas las válvulas de bola para liberar la presión de aire y agua. Afloje los pernos del acoplador de la ranura y retire el acoplamiento de la ranura y la placa de la cubierta del cuerpo de la válvula. (Consulte la figura 1.)
2. Retire el ensamble de retención No 1 a mano, girando los tornillos en sentido contrario a las agujas del reloj para liberar la retención y extráigala a través del puerto de acceso superior. No utilice el brazo de retención como mango para desenroscar la unidad. Si la retención no se puede aflojar a mano, inserte un destornillador largo entre el cuerpo de la válvula y la retención. (Consulte la figura 2.) Aplique presión suavemente contra la retención hasta que se afloje. Termine de desenroscarlo a mano. (Consulte la figura 3.) Desenrosque la retención No 2 girándola en sentido contrario a las agujas del reloj, colocando un destornillador largo a través de las lengüetas y aplicando presión para aflojar la retención. (Consulte la figura 4.) Termine de desenroscarlo a mano.
3. (Solo para 6" [15.2 cm]) Para limpiar la retención No 1, localice el pasador de apertura del brazo de retención en la brida de salida del ensamble de la válvula. Deslice el brazo de retención sobre el pasador

Figura 1

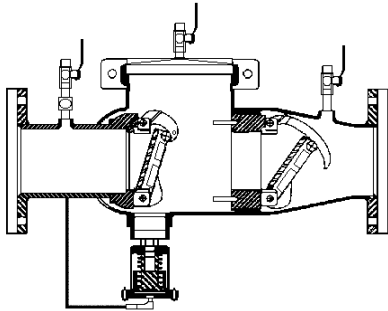
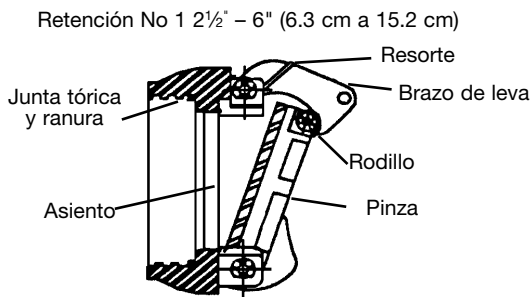


Figura 3



con las roscas de retención hacia abajo. (Consulte la figura 5A.) Apriete la tuerca de 1/4" (6.3 mm) del pasador para fijar la barra de leva. Tire lentamente del ensamble hacia afuera para abrir la retención, permitiendo la exposición del área de la pinza del asiento para su limpieza.

Para limpiar la retención No 2, levante el brazo de leva y manténgalo en la posición abierta. (Consulte la figura 4.) Levante la pinza de modo que el extremo del brazo de retención descanse entre el rodillo y la pinza. (Consulte la figura 5B.) Limpie a fondo el área del asiento y las superficies de sellado de la pinza de ambas retenciones. Inspeccione los asientos, las superficies de sellado de la pinza, los brazos de retención y las juntas tóricas en busca de daños, muescas y residuos. Si no está dañado, cierre con cuidado la pinza. Si está dañado, instale un nuevo ensamble de retención o junta tórica, o ambos.

4. Antes de volver a instalar las retenciones, limpie a fondo la ranura de la junta tórica y lubrique la junta tórica con un lubricante aprobado por la FDA. Inserte y enrosque primero la retención No 2 y luego la retención No 1. La retención No 2 debe apretarse insertando un destornillador largo entre las lengüetas para apretar firmemente. (Consulte la figura 2.) No los apriete demasiado. Apriete firmemente la retención No 1 solo a mano. Vuelva a colocar la placa de cubierta, limpie la junta del acoplador de ranura y la ranura. Sustituya el acoplador de la ranura. Vuelva a presurizar y purgue aire de todas las válvulas de prueba.

Figura 2

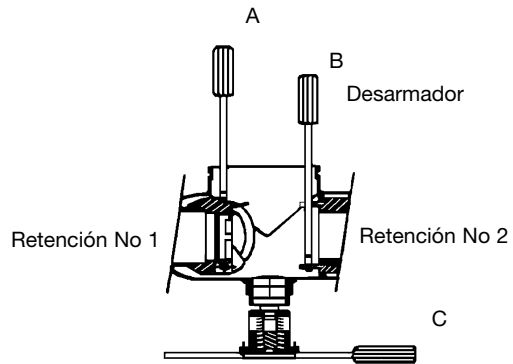


Figura 4

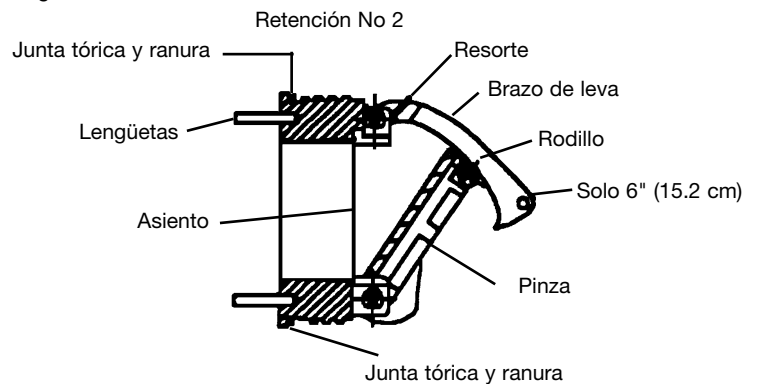


Figura 5A

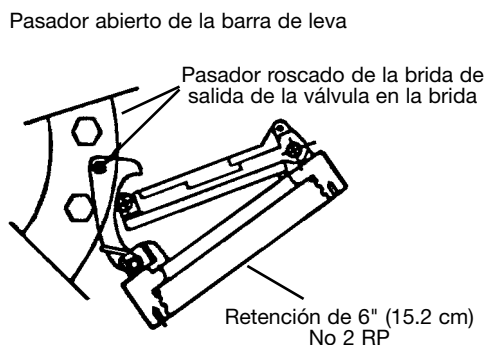


Figura 5B



# Mantenimiento de las primeras y segundas retenciones

## 8" – 10" (20.3 cm a 25.4 cm)

Antes de realizar tareas de mantenimiento, asegúrese de que las válvulas de cierre estén cerradas. Luego utilice el siguiente procedimiento para retirar los conjuntos de retención.

1. Abra lentamente todas las válvulas de bola para liberar la presión de aire y agua. Afloje los pernos del acoplador de la ranura y retire el acoplamiento de la ranura y la placa de la cubierta del cuerpo de la válvula.
2. (Para la retención No 1) Con una llave de tubo de  $\frac{9}{16}$ " (14.2 mm) o un destornillador de tuercas, retire las cuatro tuercas de los pernos de retención No 1. (Consulte la figura 1.) Con las dos manos, coloque una a las 12 en punto y la otra a las 6 en punto, y mueva el ensamble de retención libremente. Retire la retención a través del puerto de acceso con la parte posterior de la pinza primero, con el extremo del resorte hacia abajo. Extraiga el ensamble de la retención del cuerpo principal. Inspeccione los asientos y las superficies de sellado de la pinza. (Consulte la figura 2.)

(Para la retención No 2) Después de aflojar los pernos con una llave de conector de  $\frac{9}{16}$ " (14.2 mm), retire los pernos completamente. Utilizando la barra de acceso de la línea central, gire el ensamble de la

cuenta desde la posición de las 9 en punto hasta la posición de las 12 en punto. Sin soltar la barra de acceso, empuje el ensamble de leva ligeramente hacia abajo para que la pinza quede paralela al cuerpo de la válvula. (Consulte la figura 3.) Pase el ensamble de retención a través de la pared del sujetador de retención, dejando el conjunto de retención paralelo al cuerpo de la válvula. Tire del ensamble de retención a través del puerto de acceso.

3. Para aliviar la tensión del resorte de torsión, coloque un destornillador de  $\frac{3}{8}$ " (9.5 mm) o un trozo de tubo de diámetro pequeño en el resorte de torsión del brazo de retención, y muévalo alrededor y lejos del soporte de retención del resorte de torsión. (Consulte la figura 4.) Esto permite que el brazo de retención se mueva libremente, lo que permite la inspección de la cara de la pinza y el asiento de retención. Limpie a fondo el área del asiento y las superficies de sellado de las pinzas, los brazos de retención y las juntas tóricas para ver si presentan daños, muescas o residuos. Si observa algún daño, instale un nuevo el ensamble de retención o junta tórica, o ambos.
4. Antes de volver a instalar el ensamble de retención, limpie a fondo la ranura de la junta tórica y lubrique la junta tórica con un lubricante aprobado por la FDA.

Figura 1

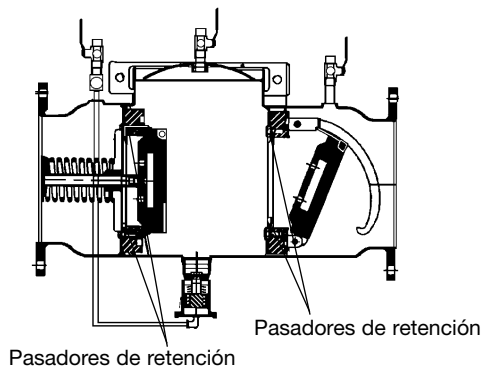


Figura 2

RP de retención de leva No 1

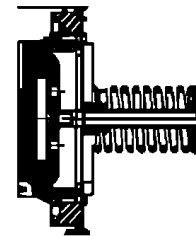


Figura 3

DC y RP de retención de leva No 2

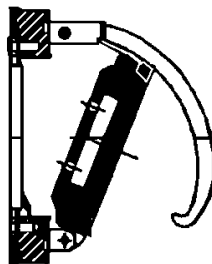
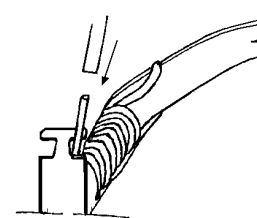


Figura 4



# Inspección y limpieza de la primera retención

## ⚠ PELIGRO

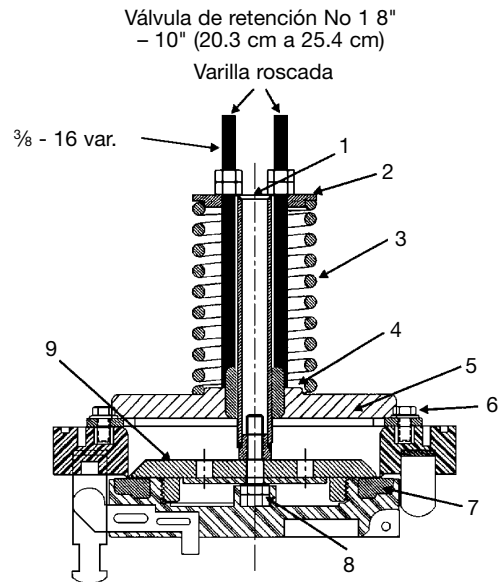
**¡Tenga mucho cuidado al dar mantenimiento a la primera retención!**

Utilice el siguiente procedimiento y la ilustración que lo acompaña para inspeccionar el asiento y limpiar el asiento y la arandela de la pinza.

1. Después de retirar la primera retención del cuerpo de la válvula de flujo de retorno, colóquela sobre una superficie plana con el resorte en espiral hacia arriba.
2. Para obtener acceso al asiento y al anillo de goma de la pinza, comprima el resorte (elemento 3) que rodea el eje de la pinza (elemento 1) colocando la varilla roscada de  $\frac{3}{8}$ " (9.5 mm) a través de los dos orificios de la placa de retención del resorte (elemento 2).
3. Después de colocar la varilla roscada de  $\frac{3}{8}$ " (9.5 mm) a través de la placa de retención del resorte, enrosque la varilla roscada en los orificios (elemento 4) en la base de la araña (elemento 5, junto al eje). Asegúrese de usar dos tuercas en la varilla roscada para apretarlas en los orificios. La profundidad de los orificios roscados debe ser de aproximadamente  $\frac{1}{2}$ " (1.2 cm). Esta operación requiere el uso de dos piezas de varilla roscada.
4. Comprima el resorte aflojando la tuerca superior de  $\frac{3}{8}$ " (9.5 mm) y retírela sin desenroscar la varilla roscada de la araña. Coloque una llave de estrella o una llave inglesa en la tuerca de  $\frac{3}{8}$ " (9.5 mm) más cercana a la placa de retención del resorte y apriétela. Apriete la varilla roscada y la tuerca uniformemente: haga algunas vueltas en una tuerca roscada de la varilla y algunas vueltas en la otra, repita alternando entre las dos hasta el final.
5. Durante la compresión, la pinza se mueve lentamente hacia arriba, alejándose del asiento. Para examinar el asiento, continúe con la compresión del resorte hasta que la pinza se haya desplazado aproximadamente 1" (2.5 cm) del asiento. Esto permite eliminar los residuos y examinar el asiento.
6. Para descargar la compresión del resorte, afloje la rosca completa, luego coloque una tuerca doble en la rosca completa y desenrosque la varilla de la araña y la base del eje.

Herramientas necesarias:

- Dos piezas de varilla roscada de  $\frac{3}{8}$ " (9.5 mm) (aproximadamente 14" [35.5 cm] de largo)
- Llave inglesa ajustable
- Llave de tubo o pinzas de bloqueo de canal

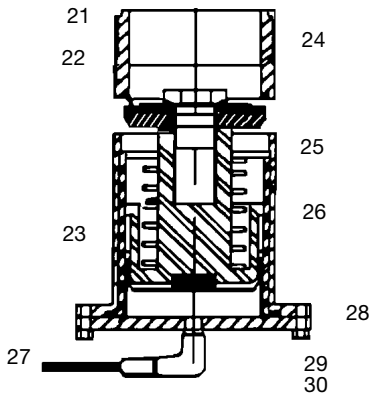


ARTÍCULO	DESCRIPCIÓN
1	Eje
2	Placa de retención del resorte
3	Resorte
4	Orificio roscado de $\frac{3}{8}$ " (9.5 mm) (mantenimiento)
5	Araña
6	Perno de sujeción de la araña
7	Anillo de asiento
8	Pinza a perno del eje
9	Retén del anillo del asiento

# Mantenimiento de la válvula de alivio

La válvula de alivio puede repararse mientras está encendida o fuera de la válvula del inhibidor de flujo de retorno. Cierre el sistema de agua antes de realizar tareas de mantenimiento. (Consulte los componentes de la válvula de alivio en la Figura 1).

Figura 1



ARTÍCULO	DESCRIPCIÓN	CANTIDAD
21	Cuerpo de la válvula de alivio	1
22	Disco de cierre de goma	1
23	Ensamble del diafragma del pistón	1
24	Perno de cabeza hexagonal	4
25	Retenedor de disco	1
26	Manguito	1
27	Perno inferior	1
28	Brida inferior (con codo de acero inox.)	1
29	Codo de acero inox. inferior	1
30	Disco de junta tórica	1

## AVISO

No utilice una llave de tubo para retirar el ensamble de la válvula de alivio del inhibidor de flujo de retorno.

### Para desmontar la válvula de alivio

1. Desconecte el módulo de activación, si está instalado, del sensor de inundación, luego utilice un destornillador Phillips No 2 para retirar el sensor de la válvula de alivio.
2. Desconecte la manguera de la válvula de alivio del codo en la cubierta de la brida inferior en la conexión de la manguera giratoria. No retire el codo.
3. Si se va a retirar la válvula del inhibidor de flujo de retorno para su reparación, coloque la hoja de un destornillador o una barra plana a través de los bordes de dos de los tornillos de cabeza hexagonal en la cubierta de la brida inferior y gírela en sentido contrario a las agujas del reloj para aflojar el ensamble de la válvula de alivio.
4. Retire los cuatro pernos inferiores de la parte inferior del ensamble de la válvula de alivio con un conector o llave de boca de  $5/16"$  (7.9 mm). Retire la cubierta de la brida inferior.
5. Retire el ensamble del pistón y el manguito del cuerpo de la válvula de alivio colocando los dedos índice a través de las ranuras en el lateral del cuerpo y presionando hacia abajo en la parte superior del retén del disco en la parte superior del ensamble del pistón. (Consulte la figura 2.) Tire del ensamble del pistón para liberarlo del cuerpo sujetando el manguito y tirando hacia abajo.

Figura 2

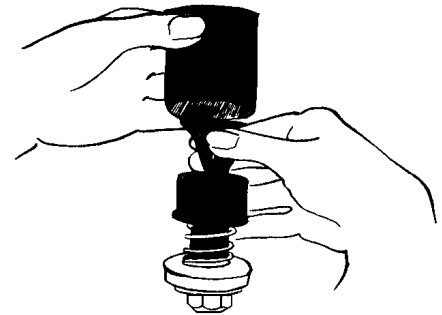


6. Sujete el manguito y el ensamble del pistón por la cabeza del perno de cabeza hexagonal. Tire hacia arriba del manguito para extender el diafragma. Deslice el manguito (elemento 26) completamente fuera del diafragma e inspeccione el diafragma en busca de desgarros, agujeros o arrugas excesivas. Si el diafragma está dañado, solicite un nuevo conjunto de pistón-diafragma.

### Para volver a montar la válvula de alivio

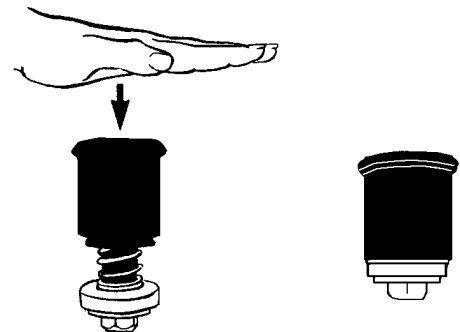
1. Limpie a fondo todas las superficies interiores del cuerpo de la válvula de alivio.
2. Inspeccione la superficie del asiento del cuerpo de la válvula de alivio ubicada en el borde superior de las tres ranuras de descarga cerca de la parte superior del cuerpo frotando el extremo de un dedo índice alrededor de toda la superficie del asiento; acceda a la superficie del asiento a través de las ranuras o la parte inferior del cuerpo. El asiento no debe tener muescas. Si se detectan muescas, retire el cuerpo e instale un nuevo ensamble de la válvula de alivio.
3. Coloque el diafragma en el ensamble del pistón de modo que quede orientado hacia arriba. (Consulte la figura 3.)

Figura 3



4. Doble el borde superior (acanalado) del diafragma hacia dentro, sujete el manguito con el borde acanalado **hacia arriba** y deslice el manguito hacia abajo sobre el ensamble del pistón.
5. Al mismo tiempo que sujeta el manguito, deslícelo hacia arriba sobre el diafragma y, con los dedos pulgar e índice, coloque el cordón del diafragma de manera que envuelva el exterior de la costilla en la parte superior del manguito de manera que el manguito quede sujeto por el diafragma. Coloque el ensamble del pistón sobre una superficie plana y firme con el diafragma hacia arriba. (Consulte la figura 4.)

Figura 4



6. Ahueque ligeramente una mano para formar una trampa de aire y fuerce el manguito hacia abajo sobre el ensamble del pistón con un golpe rápido (duro) en el extremo abierto del diafragma con la mano ahuecada. El aire atrapado en el diafragma fuerza el diafragma entre el interior del manguito y el exterior del pistón. Asegúrese de que el diafragma esté completamente asentado. Si el diafragma está arrugado, repita el paso anterior.
7. Deslice el ensamble del pistón y el manguito en el cuerpo de la válvula de alivio con el perno de cabeza hexagonal entrando primero en el extremo bridado del cuerpo. Deslice el ensamble del pistón hacia dentro hasta que el labio del diafragma quede asentado suavemente en la ranura maquinada del extremo del cuerpo de la válvula. Pase el dedo índice alrededor del exterior del cordón del diafragma para asegurarse de que quede bien asentado.
8. Coloque la cubierta de la brida inferior en la parte inferior del cuerpo de la válvula de alivio y fíjela apretando a mano los cuatro pernos inferiores.
9. Apriete los cuatro pernos inferiores a aproximadamente 15 ft-lb con un conector de  $5/16"$  (7.9 mm) o una llave de boca, luego vuelva a conectar la manguera de la válvula de alivio al codo en la cubierta de la brida inferior. Vuelva a conectar el sensor de inundación a la válvula de alivio y monte el módulo de activación en el sensor.

# Pruebas

El siguiente procedimiento de prueba es uno de los varios que se reconocen en los Estados Unidos para probar los inhibidores de flujo de retorno.

El procedimiento no es una recomendación específica. La serie Watts de kits de prueba es capaz de realizar cualquiera de los procedimientos de prueba de reflujo reconocidos.

Complete esta preparación antes de iniciar la secuencia de prueba en el ensamble de flujo de retorno.

1. Abra la llave de prueba No 4 y lave las llaves de prueba No 1, No 2 y No 3.
2. Cierre la válvula de prueba N.º 4.
3. Encienda el probador antes de conectar las mangueras. El probador debe leer todos los ceros.
4. Cierre VA y VB.

## Prueba No 1 - Válvula de alivio

1. Instale la manguera del lado alto entre la válvula de prueba No 2 y la conexión del probador A.
2. Instale la manguera del lado inferior entre la válvula de prueba No 3 y la conexión del probador B.
3. Abra la válvula de prueba No 3 y luego VB. Ahora abra lentamente la válvula de prueba No 2 y luego VA. Cierre VA y luego VB.
4. Cierre la válvula de cierre No 2.
5. Observe la presión diferencial aparente de la primera válvula de retención (A - B).
6. Instale la manguera de derivación entre VA y VB. Abra el VB y purgue el aire aflojando la conexión de la manguera en VA. Apriete la conexión de la manguera y cierre el VB.  
**Empuje - Cabezal de impresión (esperar) y, a continuación, pulse - Iniciar prueba**
7. Abra la VA y luego abra lentamente la VB (no más de 1/4 de vuelta). Cuando la válvula de alivio gotee, pulse el botón de retención durante 2 segundos. Registre la lectura; debe ser 2 PSID o más.  
**Pulsar - Detener prueba**
8. Cierre VA y VB.

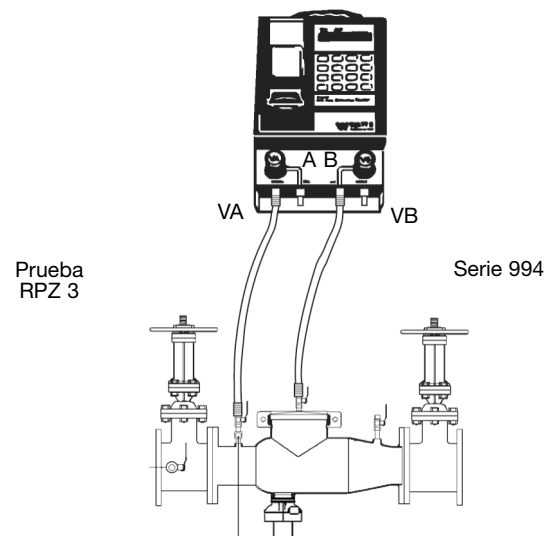
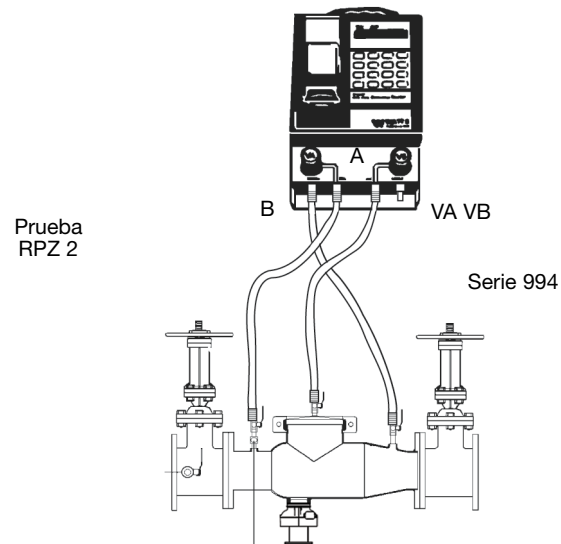
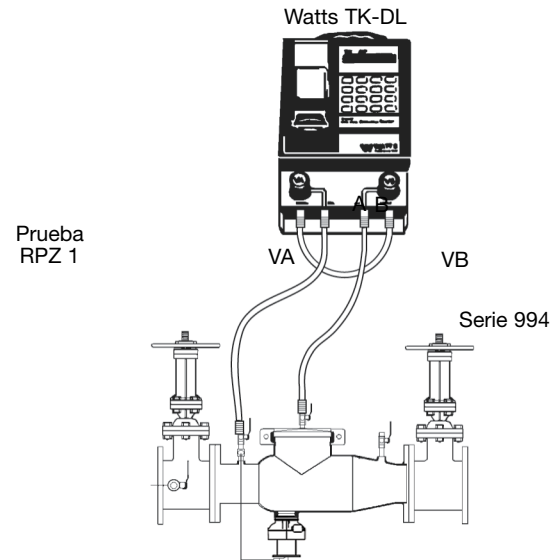
## Prueba No 2 - Válvula de retención de prueba No 2

1. Instale la manguera de derivación entre VA y la válvula de prueba No 4. Abra VA y luego purgue aire aflojando la conexión de la manguera en la válvula de prueba No 4. Apriete la conexión de la manguera. Cerrar VA.  
**Pulsar - Iniciar prueba**
2. Abra el VB para restablecer la presión dentro de la zona. Cierre el VB.
3. Abra la válvula de prueba No 4 y, a continuación, abra VA. Si la válvula de alivio no gotea, registre la segunda válvula de retención como "cerrada".

## Prueba No 3 - Válvula de retención de prueba No 1

1. Abra el VB para restablecer la presión diferencial de la primera válvula de retención. Cierre el VB. Registre el diferencial de presión.  
**Detener prueba (Pulsar prueba de parada dos veces)**
2. Cierre las válvulas de prueba y retire el probador, devuelva el ensamble a las condiciones de funcionamiento normales.

Para obtener información adicional sobre las pruebas, consulte la bibliografía IS-TK-9A e IS-TK-99E en watts.com.









# Solución de problemas

PROBLEMA	CAUSA	SOLUCIÓN
El ensamble se descarga de la válvula de alivio diferencial durante la ausencia de caudal	Válvula de retención sucia	Desensamble y limpieza de la válvula de retención No 1
	Presión de entrada fluctuante	Controlar la presión del agua de la línea de suministro Instale una válvula de retención con resorte y asiento blando aguas arriba del ensamble
	Presión de salida superior a la presión de entrada y fuga en la válvula de retención No 2	Desensamble y limpie la válvula de retención No 2 e identifique la causa de la contrapresión
	Fuga a través del diafragma o alrededor de los orificios de los pernos de la brida de la válvula de alivio	Dé mantenimiento a la válvula de alivio
	La válvula de alivio de presión no se cierra	Consulte el problema "La válvula de alivio de presión no se cierra"
El ensamble se descarga de la válvula de alivio diferencial durante la condición de flujo	Válvula de retención No 1 con cuña abierta	Desensamble y limpieza de la válvula de retención No 1
	Junta tórica desplazada de la ranura en la retención No 1	Desensamble y sustitución
	La válvula de alivio de presión no se cierra	Consulte el problema "La válvula de alivio de presión no se cierra"
	Presión fluctuante de la línea	Instalar la retención de mantenimiento de presión aguas arriba del reflujo
La válvula de alivio de presión diferencial no se abre durante la prueba	La presión diferencial en la válvula de retención No 1 permanece por encima de 2.0 psi debido a la fuga de la válvula de compuerta de salida	Reparar válvulas de cierre
	Resorte de la válvula de alivio débil o roto	Desensamble y sustitución del resorte de la válvula de alivio
	Tubo del asiento de cierre unido al cuerpo	Desensamble y reparación
	Manguera hidráulica obstruida	Desensamble y reparación
La válvula de alivio de presión no se cierra	Residuos en la superficie de sellado	Retire la válvula de alivio y límpiela
	Manguera hidráulica obstruida	Desensamble y limpieza
	Asiento o disco de cierre de goma dañados	Retire el ensamble de la válvula de alivio y sustitúyalo
	Diafragma roto	Desensamble y sustitución del diafragma
	Diafragma arrugado o mal instalado	Desensamble y coloque correctamente el diafragma

## Kits de conexión de sensor de complemento y retroadaptación para sistemas de gestión de edificios

CÓDIGO DE PEDIDO	KIT ADICIONAL/RETROADAPTACIÓN	DESCRIPCIÓN
88009418	 <p>FP-BF-BMS Kit de conexión del sensor de BMS Serie 994, 994RPDA Tamaños de 2½" a 10" (6.3 cm a 25.4 cm)</p>	Incluye un módulo de activación del sensor con cable, cable de tierra y adaptador de corriente. Utilice este kit para activar el sensor de inundación y habilitar las capacidades de detección de inundación en la válvula de alivio de una nueva instalación conectada a un controlador de BMS (sistema de gestión del edificio) (no se incluye).
88009419	 <p>FP-RFK-BF-BMS-CFS Kit de conexión de retroadaptación del sensor de BMS Serie 994, 994RPDA Tamaños de 2½" a 10" (6.3 cm a 25.4 cm)</p>	Incluye sensor de inundación, módulo de activación del sensor con cable, cable de tierra y adaptador de corriente. Utilice este kit para instalar el sensor de inundación y habilitar las capacidades de detección de inundaciones en la válvula de alivio de una instalación existente vinculada a un controlador BMS (no incluido).

## Kits de conexión de sensores adicionales y de retroadaptación para la comunicación celular

CÓDIGO DE PEDIDO	KIT ADICIONAL/RETROADAPTACIÓN	DESCRIPCIÓN
88009420	 <p>FP-BF-CFS Kit de conexión del sensor celular Serie 994, 994RPDA Tamaños de 2½" a 10" (6.3 cm a 25.4 cm)</p>	Incluye un módulo de activación de sensor con cable, puerta de enlace celular con kit de montaje, adaptador de corriente y cable de tierra. Utilice este kit para activar el sensor de inundación y habilitar las capacidades de detección de inundación en la válvula de alivio de una nueva instalación vinculada a una red celular para enviar alertas por correo electrónico, mensaje de texto SMS o llamada de voz.
88009421	 <p>FP-RFK-BF-CFS Kit de conexión de retroadaptación del sensor celular Serie 994, 994RPDA Tamaños de 2½" a 10" (6.3 cm a 25.4 cm)</p>	Incluye sensor de inundación, módulo de activación de sensor con cable, puerta de enlace celular con kit de montaje, adaptador de corriente y cable de tierra. Utilice este kit para instalar el sensor de inundación y habilitar las capacidades de detección de inundaciones en la válvula de alivio de una instalación existente vinculada a una red celular para enviar alertas por correo electrónico, mensaje de texto SMS o llamada de voz.



**Garantía limitada** Watts (la "Compañía") garantiza que cada producto está libre de defectos en los materiales y la mano de obra en condiciones de uso normal durante el período de un año a partir de la fecha de envío original. En caso de que tales defectos se presenten dentro del período de garantía, la Compañía, a su criterio, reemplazará o reacondicionará el producto sin cargo alguno.

**LA GARANTÍA ESTABLECIDA EN ESTE DOCUMENTO SE OTORGA EXPRESAMENTE Y ES LA ÚNICA GARANTÍA OTORGADA POR LA COMPAÑÍA CON RESPECTO AL PRODUCTO. LA COMPAÑÍA NO OTORGA NINGUNA OTRA GARANTÍA, EXPRESA NI IMPLÍCITA. POR ESTE MEDIO, LA COMPAÑÍA RENUNCIA ESPECÍFICAMENTE A TODAS LAS DEMÁS GARANTÍAS, EXPRESAS O IMPLÍCITAS, INCLUIDAS, ENTRE OTRAS, LAS GARANTÍAS IMPLÍCITAS DE COMERCIABILIDAD E IDONEIDAD PARA UN PROPÓSITO EN PARTICULAR.**

El recurso descrito en el primer párrafo de esta garantía constituirá el único y exclusivo recurso por incumplimiento de la garantía, y la Compañía no será responsable de ningún daño incidental, especial o consecuente, incluidos, entre otros, la pérdida de ganancias o el costo de reparación o reemplazo de otros bienes dañados si este producto no funciona correctamente, otros costos resultantes de cargos laborales, retrasos, vandalismo, negligencia, contaminación causada por materiales extraños, daños por condiciones adversas del agua, productos químicos o cualquier otra circunstancia sobre la cual la Compañía no tenga control. Esta garantía quedará anulada por cualquier abuso, uso indebido, aplicación incorrecta, instalación o mantenimiento inadecuados o alteración del producto.

Algunos estados no permiten limitaciones respecto a la duración de una garantía implícita, y algunos estados no permiten la exclusión o limitación de daños incidentales o consecuentes. Por lo tanto, las limitaciones anteriores pueden no aplicarse a usted. Esta garantía limitada le otorga derechos legales específicos y es posible que tenga otros derechos que varían de un estado a otro. Debe consultar las leyes estatales vigentes para determinar sus derechos. **EN LA MEDIDA QUE SEA CONSISTENTE CON LAS LEYES ESTATALES VIGENTES, CUALQUIER GARANTÍA IMPLÍCITA QUE PUEDA NO SER RENUNCIADA, INCLUYENDO LAS GARANTÍAS IMPLÍCITAS DE COMERCIABILIDAD E IDONEIDAD PARA UN PROPÓSITO PARTICULAR, TIENEN UNA DURACIÓN LIMITADA A UN AÑO A PARTIR DE LA FECHA DE ENVÍO ORIGINAL.**



**EE. UU.:** T: (978) 689-6066 • Watts.com

**Canadá:** T: (888) 208-8927 • Watts.ca

**América Latina:** T: (52) 55-4122-0138 • Watts.com