

Engineering Specification

Job Name _____
 Orion Representative _____
 Quantity of Tanks _____

Contractor Signature _____
 Approval Date _____
 Contractor's P.O. No. _____

T8

Point-Of-Use Dilution Tank

Specification

Orion T8 POU 1.5 USG Tank shall be cubic seamless, stress and defect free, rotationally molded construction to uniform wall thickness from virgin PE resins conforming to ASTM D 1248, with **integral cover, with single FIP inlet with dip tube, with single FIP outlet, with 3" top cleanout with cap as standard.** All penetrations shall be heat fused to tank wall.

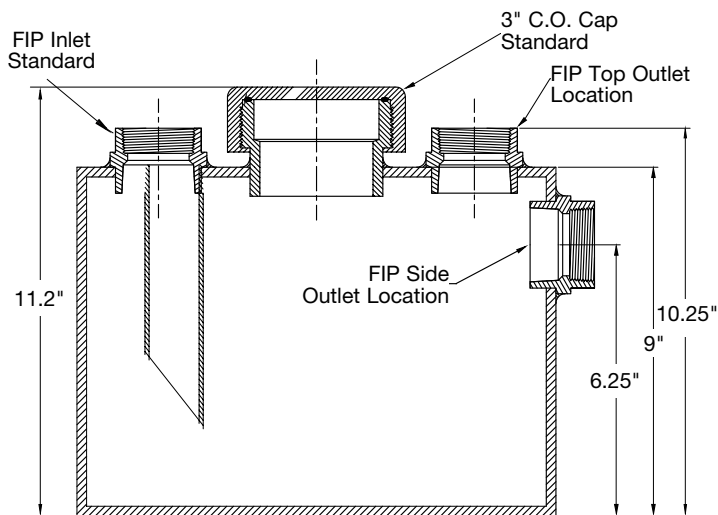
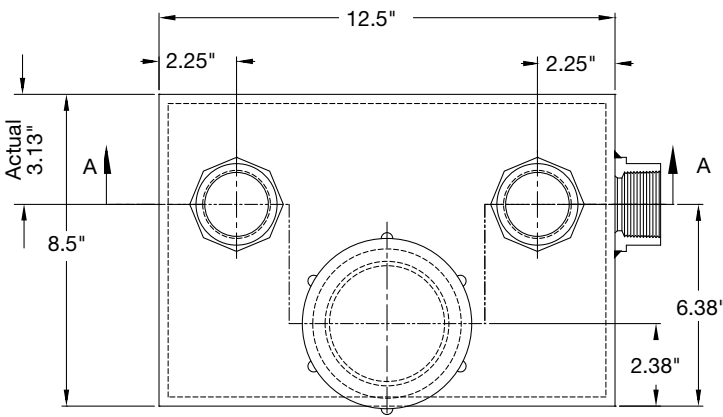
Tank Selection		
Select	Part No.	Description
	734000	One 1.5" FIP Top Inlet, One 1.5" FIP Top Outlet
	734003	One 2" FIP Top Inlet, One 2" FIP Top Outlet
	734001	One 1.5" FIP Top Inlet, One 1.5" FIP Side Outlet
	734002	One 2" FIP Top Inlet, One 2" FIP Side Outlet



Note: Tanks are made to ± 0.25 in. tolerance.

NOTICE

The information contained herein is not intended to replace the full product installation and safety information available or the experience of a trained product installer. You are required to thoroughly read all installation instructions and product safety information before beginning the installation of this product.



Please verify all selections with your local Orion rep - tank products and accessory equipment are non-returnable.

Orion Fittings product specifications in U.S. customary units and metric are approximate and are provided for reference only. For precise measurements, please contact Orion Fittings Technical Service. Orion Fittings reserves the right to change or modify product design, construction, specifications, or materials without prior notice and without incurring any obligation to make such changes and modifications on Orion Fittings products previously or subsequently sold.



USA: T: (800) 334-6259 • OrionFittings.com
Canada: T: (888) 208-8927 • OrionFittings.ca
Latin America: T: (52) 55-4122-0138 • OrionFittings.com

A WATTS Brand