

Engineering Specification

Job Name _____ Contractor _____

Job Location _____ Approval _____

Engineer _____ Contractor's P.O. No. _____

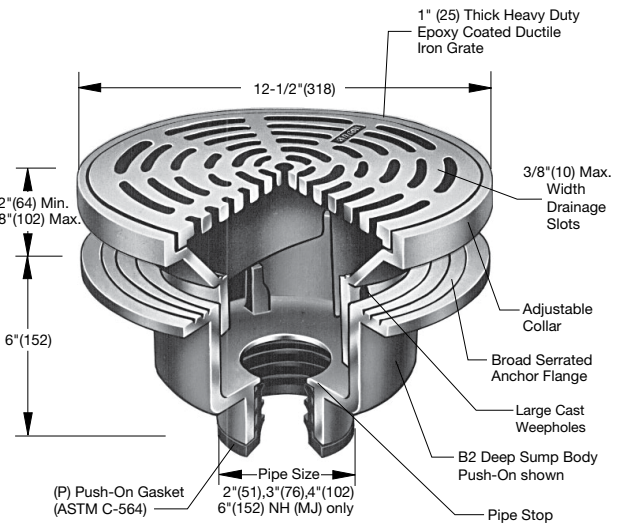
Approval _____ Representative _____

Tag _____

FD-340 Area Drain with 12" Round Adjustable Top

Specification

Watts FD-340 epoxy coated cast iron area drain with anchor flange, weep-holes, 12"(305) diameter adjustable top with ductile iron (standard) tractor grate, and no hub (MJ) (standard) outlet.



Pipe Sizing	
Suffix	Description
2	2"(51) Pipe Size <input type="checkbox"/>
3	3"(76) Pipe Size <input type="checkbox"/>
4	4"(102) Pipe Size <input type="checkbox"/>
5	5"(127) Pipe Size <input type="checkbox"/>
6	6"(152) Pipe Size <input type="checkbox"/>
8	8"(203) Pipe Size <input type="checkbox"/>

Options	
Suffix	Description
-5	Sediment Bucket <input type="checkbox"/>
-6	Vandal Proof <input type="checkbox"/>
-8	Backwater Valve (3, 4" Only) <input type="checkbox"/>
-10	Secured Top c/w Phillips screws <input type="checkbox"/>
-12	Galvanized Top <input type="checkbox"/>
-13	All Galvanized <input type="checkbox"/>
-113M	Special Epoxy from 3M Range <input type="checkbox"/>
-F4-50	4" Round Cast Iron Funnel <input type="checkbox"/>
-F4-1	4" Round Nickel Bronze Funnel <input type="checkbox"/>
-F6-1	6" Round Nickel Bronze Funnel <input type="checkbox"/>
-G-50	4x9" Oval Cast Iron Funnel <input type="checkbox"/>
-G-1	4x9" Oval Nickel Bronze Funnel <input type="checkbox"/>
-Z	Elastomeric Flange <input type="checkbox"/>

Outlet Type	
Suffix	Description
NH	No Hub (MJ) <input type="checkbox"/>
P	Push On <input type="checkbox"/>
T	Threaded Outlet <input type="checkbox"/>
X	Inside Caulk <input type="checkbox"/>

Grate	
Suffix	Description
-1	12"(305), Nickel Bronze <input type="checkbox"/>
-4	12"(305), Ductile Iron <input type="checkbox"/>

Load Rating & Free Area		
Suffix	Load Rating	Free Area Sq. In.
-1	*XHD	37
-4	*XHD	37

NOTICE

* The load classifications are in accordance with the American National Standards ASME A112.21.1M ASME Ratings are as follows:
 XHD - Safe Live Load 7500-10000 lbs.(3375-4500kg)
 The above categories are given as a guide only.
 Please consult factory.

NOTICE

The information contained herein is not intended to replace the full product installation and safety information available or the experience of a trained product installer. You are required to thoroughly read all installation instructions and product safety information before beginning the installation of this product.

Watts product specifications in U.S. customary units and metric are approximate and are provided for reference only. For precise measurements, please contact Watts Technical Service. Watts reserves the right to change or modify product design, construction, specifications, or materials without prior notice and without incurring any obligation to make such changes and modifications on Watts products previously or subsequently sold.

