

For Commercial Applications

Job Name _____

Contractor _____

Job Location _____

Approval _____

Engineer _____

Contractor's P.O. No. _____

Approval _____

Representative _____

Tag _____

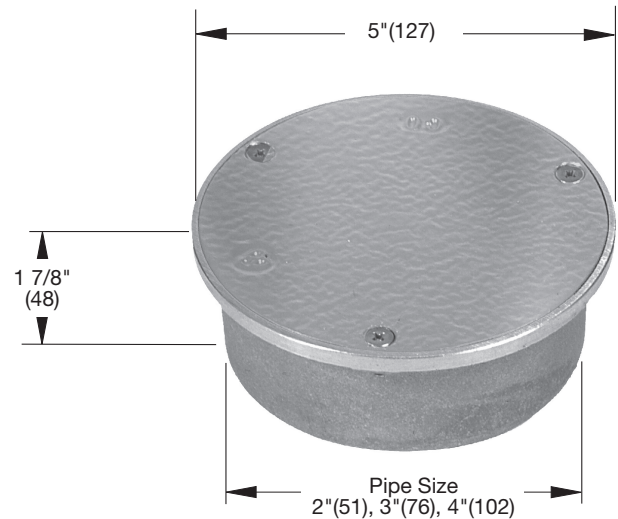
WCO-NH-NB

Light Duty Floor Cleanout with Nickel Bronze Body & Cover

Specification

Watts WCO-NH-NB floor cleanout with light duty nickel bronze body and cover. Recommended for installation in areas without waterproofing membrane subject to pedestrian traffic.

Pipe Sizing (Select One)		
Suffix	Description	
2NH	2"(51) Pipe Size	<input type="checkbox"/>
3NH	3"(76) Pipe Size	<input type="checkbox"/>
4NH	4"(102) Pipe Size	<input type="checkbox"/>



NOTICE

The information contained herein is not intended to replace the full product installation and safety information available or the experience of a trained product installer. You are required to thoroughly read all installation instructions and product safety information before beginning the installation of this product.

Watts product specifications in U.S. customary units and metric are approximate and are provided for reference only. For precise measurements, please contact Watts Technical Service. Watts reserves the right to change or modify product design, construction, specifications, or materials without prior notice and without incurring any obligation to make such changes and modifications on Watts products previously or subsequently sold.



USA: T: (800) 338-2581 • F: (828) 248-3929 • Watts.com

Canada: T: (888) 208-8927 • F: (888) 479-2887 • Watts.ca

Latin America: T: (52) 55-4122-0138 • Watts.com