

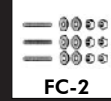


RD-100-CT

Tag: _____

Cooling Tower Roof Drain

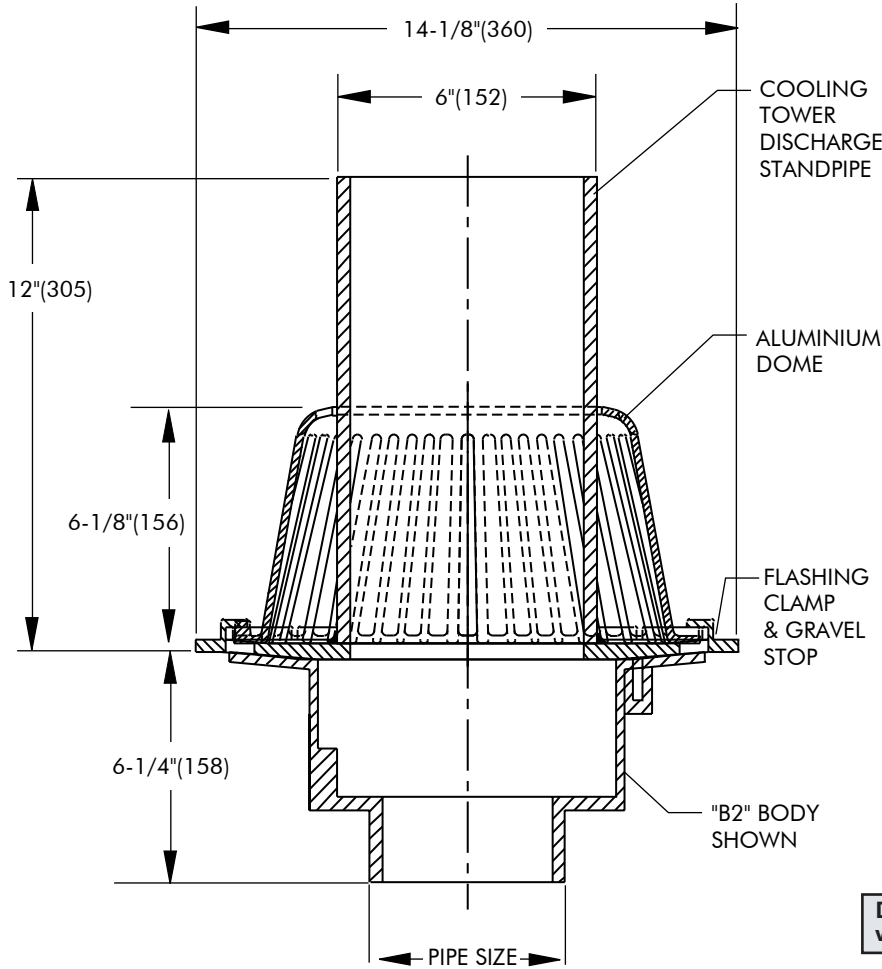
Components:



SPECIFICATION: Watts Drainage Products RD-100-CT epoxy coated ductile iron roof drain with deep sump, wide serrated flashing flange, flashing clamp device with integral gravel stop and self-locking aluminium (standard) dome strainer.

Order Code: RD-10 - - -

Ex. RD-102P-B



Pipe Sizing (Select One)	
Suffix	Description
2	2"(51) Pipe Size <input type="checkbox"/>
3	3"(76) Pipe Size <input type="checkbox"/>
4	4"(102) Pipe Size <input type="checkbox"/>
5	5"(127) Pipe Size <input type="checkbox"/>
6	6"(152) Pipe Size <input type="checkbox"/>
8	8"(203) Pipe Size <input type="checkbox"/>

Outlet Type (Select One)	
Suffix	Description
NH	No Hub (MJ) <input type="checkbox"/>
P	Push On <input type="checkbox"/>
T	Threaded Outlet <input type="checkbox"/>
X	Inside Caulk <input type="checkbox"/>

Options (Select One or More)	
Suffix	Description
-B	Sump Receiver Flange <input type="checkbox"/>
-D	Underdeck Clamp <input type="checkbox"/>
-E	Adjustable Extension <input type="checkbox"/>
-V	Fixed Extension (1-1/2", 2", 3", 4") <input type="checkbox"/>
-3	SS Standpipe <input type="checkbox"/>
-5	Sediment Bucket <input type="checkbox"/>

Optional Body Material (NH Only)	
Suffix	Description
-60	PVC Body w/Socket Outlet <input type="checkbox"/>
-61	ABS Body w/Socket Outlet <input type="checkbox"/>

Deck opening 10" (254) with sump receiver 13-1/4" (337)

Free Area Sq. In.
137

2"(51), 3"(76), 4"(102), 6"(152)
5"(127), 8"(203) NH (MJ) only

Job Name _____ Contractor _____

Job Location _____ Contractor's P.O. No. _____

Engineer _____ Representative _____

WATTS Drainage reserves the right to modify or change product design or construction without prior notice and without incurring any obligation to make similar changes and modifications to products previously or subsequently sold. See your WATTS Drainage representative for any clarification. Dimensions are subject to manufacturing tolerances.



CANADA: 5435 North Service Road, Burlington, ON, L7L 5H7 TEL: 905-332-6718 TOLL-FREE: 1-888-208-8927 Website: www.wattsdrainage.ca

