

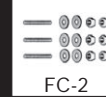


RD-100-A

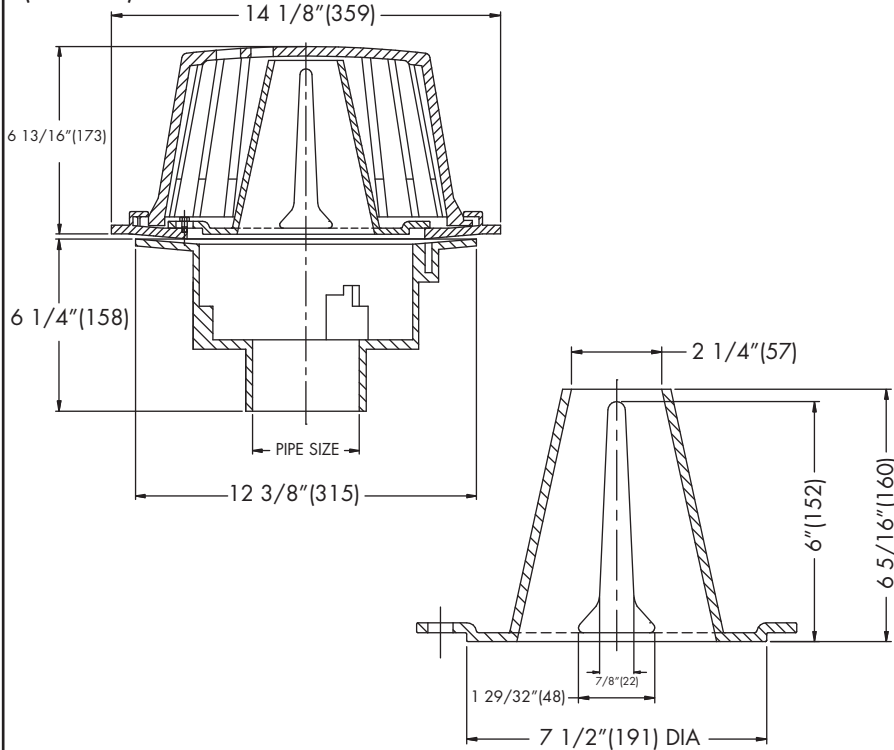
Large Capacity Roof Drain

Tag: _____

Components:



SPECIFICATION: Watts Drainage Products RD-100 epoxy coated cast iron roof drain with deep sump, wide serrated flashing flange, flashing clamp device with integral gravel stop, accutrol weir and self-locking polyethylene (standard) dome.



Free Area Sq. In.
137

**Deck opening 10" (254)
with sump receiver 13-1/4" (337)**

** Side Outlet (-SO) option only available in 2"(51), 3"(76), 4"(102) pipe sizes. Underdeck Clamp (-BED and -D options) are not available when -SO is selected.

Optional Body Material (NH Only)	
Suffix	Description
-60	PVC Body w/Socket Outlet <input type="checkbox"/>
-61	ABS Body w/Socket Outlet <input type="checkbox"/>

Order Code: RD-10 -A - -

Ex. RD-102P-K

Pipe Sizing (Select One)	
Suffix	Description
2	2"(51) Pipe Size <input type="checkbox"/>
3	3"(76) Pipe Size <input type="checkbox"/>
4	4"(102) Pipe Size <input type="checkbox"/>
5	5"(127) Pipe Size <input type="checkbox"/>
6	6"(152) Pipe Size <input type="checkbox"/>
8	8"(203) Pipe Size <input type="checkbox"/>

Outlet Type (Select One)	
Suffix	Description
NH	No Hub (MJ) <input type="checkbox"/>
P	Push On <input type="checkbox"/>
T	Threaded Outlet <input type="checkbox"/>
X	Inside Caulk <input type="checkbox"/>

Options (Select One or More)	
Suffix	Description
-B	Sump Receiver Flange <input type="checkbox"/>
-BED	Sump Receiver, Adj Ext., Deck Clamp <input type="checkbox"/>
-C	Secondary Membrane Clamp <input type="checkbox"/>
-D	Underdeck Clamp <input type="checkbox"/>
-E	Adjustable Extension <input type="checkbox"/>
-GSS	Stainless Steel Ballast Guard <input type="checkbox"/>
-H	Adj. to 6" IRMA Ballast Guard <input type="checkbox"/>
-K	Ductile Iron Dome <input type="checkbox"/>
-K80	Aluminum Dome <input type="checkbox"/>
-L	Vandal Proof Dome <input type="checkbox"/>
-R	2" High External Water Dam <input type="checkbox"/>
-SO	Side Outlet** <input type="checkbox"/>
-V	Fixed Extension (1-1/2", 2", 3", 4") <input type="checkbox"/>
-W	Adj. Water Level Regulator <input type="checkbox"/>
-W-1	Waterproofing Flange <input type="checkbox"/>
-Z	Extended Integral Wide Flange <input type="checkbox"/>
-5	Sediment Bucket <input type="checkbox"/>
-6	Vandal Proof Top <input type="checkbox"/>
-12	Galvanized Dome <input type="checkbox"/>
-13	All Galvanized <input type="checkbox"/>
-83	Mesh Covered Dome <input type="checkbox"/>
-113M	Special Epoxy from 3M Range <input type="checkbox"/>

Job Name _____

Contractor _____

Job Location _____

Contractor's P.O. No. _____

Engineer _____

Representative _____

Watts product specifications in U.S. customary units and metric are approximate and are provided for reference only. For precise measurements, please contact Watts Technical Service. Watts reserves the right to change or modify product design, construction, specifications, or materials without prior notice and without incurring any obligation to make such changes and modifications on Watts products previously or subsequently sold.



A Watts Water Technologies Company

USA: Tel: (800) 338-2581 • Fax: (828) 248-3929 • Watts.com
Canada: Tel: (905) 332-4090 • Fax: (905) 332-7068 • Watts.ca
Latin America: Tel: (52) 81-1001-8600 • Fax: (52) 81-8000-7091 • Watts.com

ES-WD-RD-100-A-CAN 1512

© 2015 Watts