

Engineering Specification

Job Name _____
 Job Location _____
 Engineer _____
 Approval _____

Contractor _____
 Approval _____
 Contractor's P.O. No. _____
 Representative _____

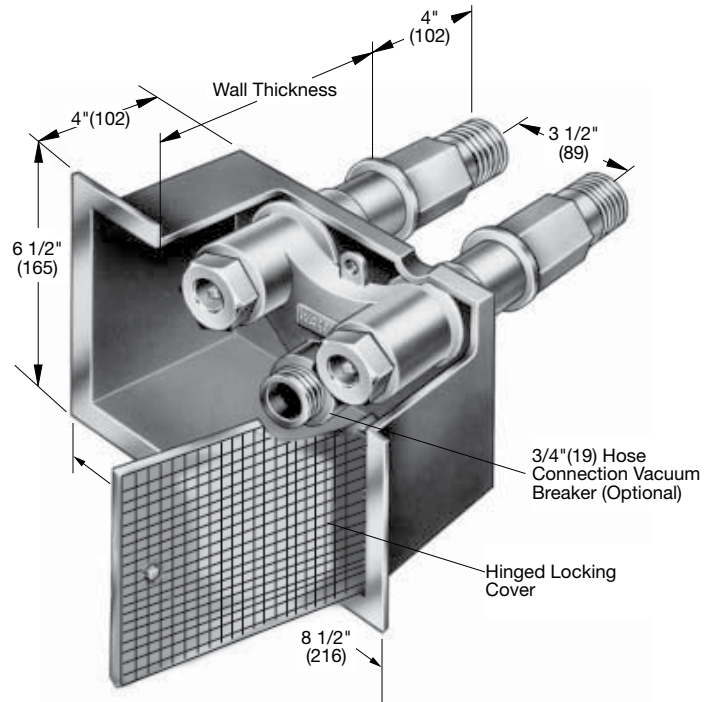
HY-700-2 Non-Freeze Duo-Temp Wall Hydrant with Stainless Steel Box Specification

Watts HY-700-2 concealed non-freeze key operated dual-temp wall hydrant with stainless steel box and door, polished bronze hydrant face, 3/4"(19) hose connection, all bronze head, seat casting and internal working parts, galvanized wall casing, and hydrant key.

Function

For flush installation in interior walls or decks or in exterior areas subject to freezing and where hot and cold supplies are required.

Call customer service if you need assistance with technical details.



Wall Thickness		
Suffix	Description	
6	6"(152) Thick	<input type="checkbox"/>
8	8"(203) Thick	<input type="checkbox"/>
10	10"(254) Thick	<input type="checkbox"/>
12	12"(305) Thick	<input type="checkbox"/>
14	14"(356) Thick	<input type="checkbox"/>
16	16"(406) Thick	<input type="checkbox"/>
18	18"(457) Thick	<input type="checkbox"/>
20	20"(508) Thick	<input type="checkbox"/>
22	22"(559) Thick	<input type="checkbox"/>
24	24"(610) Thick	<input type="checkbox"/>

Options		
Suffix	Description	
1	1" Hose Connection	<input type="checkbox"/>
-88	Wall Clamp	<input type="checkbox"/>
-K	Keyed Custodian Operation Cylinder Lock	<input type="checkbox"/>
-VB	Vacuum Breaker	<input type="checkbox"/>

**Recommended Wall Opening:
 6 5/8" x 8 3/8"(168 x 213)**

NOTICE

The information contained herein is not intended to replace the full product installation and safety information available or the experience of a trained product installer. You are required to thoroughly read all installation instructions and product safety information before beginning the installation of this product.

Watts product specifications in U.S. customary units and metric are approximate and are provided for reference only. For precise measurements, please contact Watts Technical Service. Watts reserves the right to change or modify product design, construction, specifications, or materials without prior notice and without incurring any obligation to make such changes and modifications on Watts products previously or subsequently sold.



USA: T: (800) 338-2581 • Watts.com
Canada: T: (888) 208-8927 • Watts.ca
Latin America: T: (52) 55-4122-0138 • Watts.com

