

## For Commercial Applications

Job Name \_\_\_\_\_  
 Job Location \_\_\_\_\_  
 Engineer \_\_\_\_\_  
 Approval \_\_\_\_\_  
 Tag \_\_\_\_\_

Contractor \_\_\_\_\_  
 Approval \_\_\_\_\_  
 Contractor's P.O. No. \_\_\_\_\_  
 Representative \_\_\_\_\_

# FD-480-F

## 12" x 12" Shallow Body Promenade Drain

### Specification

Watts FD-480-F epoxy coated cast iron floor drain with shallow sump body, wide serrated anchor flange, weepholes, 12"(315) square epoxy coated ductile iron (standard) tractor grate.

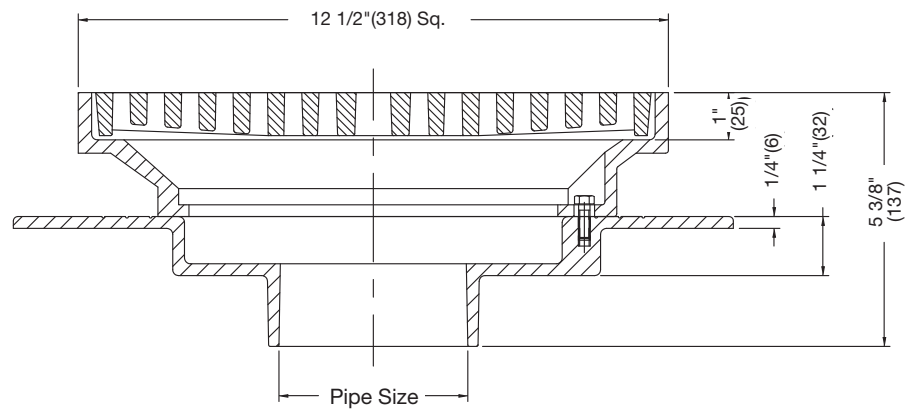
Pipe Sizing (Select One)		
Suffix	Description	
-3	3"(76) Pipe Size	<input type="checkbox"/>
-4	4"(102) Pipe Size	<input type="checkbox"/>
-6	6"(152) Pipe Size	<input type="checkbox"/>
-8	8"(203) Pipe Size	<input type="checkbox"/>

Outlet Type (Select One)		
Suffix	Description	
-NH	No Hub (MJ)	<input type="checkbox"/>

Grate (Select One)		
Suffix	Description	
F-1	12"(305) sq., Nickel Bronze	<input type="checkbox"/>
F-4	12"(305) sq., Ductile Iron	<input type="checkbox"/>

Options (Select One or More)		
Suffix	Description	
-5	Sediment Bucket	<input type="checkbox"/>
-6	Vandal Proof	<input type="checkbox"/>
-7	Trap Primer Tapping	<input type="checkbox"/>
-8	Backwater Valve (3" / 4" Only)	<input type="checkbox"/>
-9	Hinged Grate	<input type="checkbox"/>
-10	Secured Top c/w Phillips Screws	<input type="checkbox"/>
-12	Galvanized Top	<input type="checkbox"/>
-13	All Galvanized	<input type="checkbox"/>
-15	Extension (4")	<input type="checkbox"/>
-26	Hinged Locking Grate	<input type="checkbox"/>
-34	Closure Plug	<input type="checkbox"/>
-113M	Special Epoxy from 3M Range	<input type="checkbox"/>
-Z	Elastomeric Flange	<input type="checkbox"/>

Suffix	Load Rating	Free Area Sq. In.
F-1	*XHD	57
F-4	*XHD	57



**NOTICE**

The information contained herein is not intended to replace the full product installation and safety information available or the experience of a trained product installer. You are required to thoroughly read all installation instructions and product safety information before beginning the installation of this product.

**NOTICE**

\*The load classifications are in accordance with the American National Standards ASME A112.21.1M ASME Ratings are as follows:  
 XHD - Safe Live Load 7500-10,000 lbs.(3375-4500 kg.)  
 The above categories are given as a guide only.  
 Please consult factory.

Watts product specifications in U.S. customary units and metric are approximate and are provided for reference only. For precise measurements, please contact Watts Technical Service. Watts reserves the right to change or modify product design, construction, specifications, or materials without prior notice and without incurring any obligation to make such changes and modifications on Watts products previously or subsequently sold.



**USA:** T: (800) 338-2581 • F: (828) 248-3929 • Watts.com  
**Canada:** T: (905) 332-4090 • F: (905) 332-7068 • Watts.ca  
**Latin America:** T: (52) 81-1001-8600 • Watts.com