

Engineering Specification

Job Name _____

Contractor _____

Job Location _____

Approval _____

Engineer _____

Contractor's P.O. No. _____

Approval _____

Representative _____

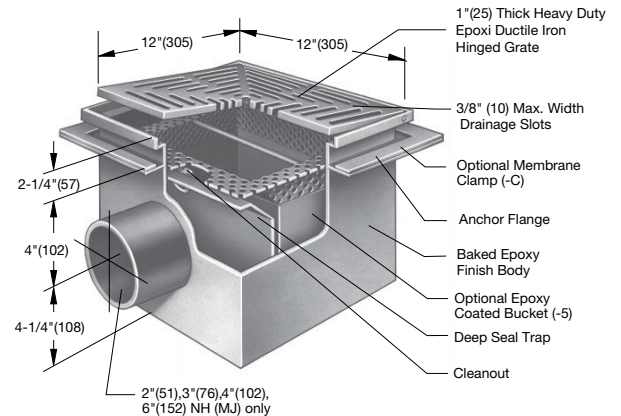
Tag _____

FD-460-F-9-46

Floor Drain with Hinged Grate & Integral Trap and Cleanout

Specification

Watts FD-460-F-9-46 powder epoxy coated rectangular floor drain with hinged square epoxy coated heavy duty ductile iron grate, anchor flange integral trap with cleanout and no hub (MJ) (standard) side outlet.



Pipe Sizing	
Suffix	Description
2	2"(51) Pipe Size
3	3"(76) Pipe Size
4	4"(102) Pipe Size
6	6"(152) Pipe Size

Grate	
Suffix	Description
-1	Nickel Bronze Veneer
-3	Stainless Steel Veneer
-4	Ductile Iron

Options	
Suffix	Description
-C	Membrane Clamp
-X	Special Dimension, per inch
-3	Stainless Steel Trap
-5	Sediment Bucket
-6	Vandal Proof
-12	Galvanized Top
-13	Galvanized Body
-19	Deflector Grate
-26	Hinged Locking Grate
-28	All SS Body, EHD Fabricated SS Grate
-113M	Special Epoxy from 3M Range

Load Rating & Free Area		
Suffix	Load Rating	Free Area Sq. In.
F-9-46	*XHD	41

NOTICE

* The load classifications are in accordance with the American National Standards ASME A112.21.1M ASME Ratings are as follows:
 XHD - Safe Live Load 7500-10000 lbs.(3375-4500kg)
 The above categories are given as a guide only.
 Please consult factory.

NOTICE

The information contained herein is not intended to replace the full product installation and safety information available or the experience of a trained product installer. You are required to thoroughly read all installation instructions and product safety information before beginning the installation of this product.

Watts product specifications in U.S. customary units and metric are approximate and are provided for reference only. For precise measurements, please contact Watts Technical Service. Watts reserves the right to change or modify product design, construction, specifications, or materials without prior notice and without incurring any obligation to make such changes and modifications on Watts products previously or subsequently sold.



USA: T: (800) 338-2581 • F: (828) 248-3929 • Watts.com
Canada: T: (888) 208-8927 • F: (888) 479-2887 • Watts.ca
Latin America: T: (52) 55-4122-0138 • Watts.com