

Engineering Specification

Job Name _____ Contractor _____
 Job Location _____ Approval _____
 Engineer _____ Contractor's P.O. No. _____
 Approval _____ Representative _____
 Tag _____

FD-390 Area Drain with 7" Heavy Duty Strainer Specification

Watts FD-390 epoxy coated cast iron floor drain with anchor flange, 7"(178) fixed tractor strainer assembly.

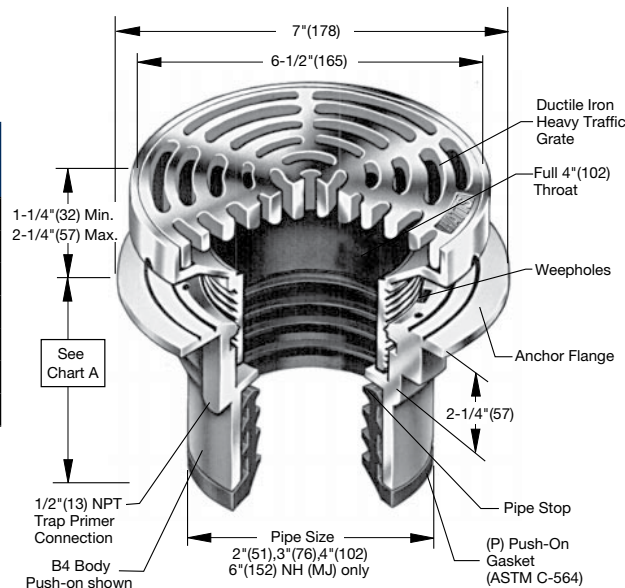
Pipe Sizing	
Suffix	Description
2	2"(51) Pipe Size
3	3"(76) Pipe Size
4	4"(102) Pipe Size
6	6"(152) Pipe Size

Outlet Type	
Suffix	Description
NH	No Hub (MJ)
P	Push On
T	Threaded Outlet
X	Inside Caulk

Optional Body Material	
Suffix	Description
-60	PVC Body w/Socket Outlet
-61	ABS Body w/Socket Outlet

Grate	
Suffix	Description
-1	7"(178), Nickel Bronze
-4	7"(178), Ductile Iron

Options	
Suffix	Description
-5	Sediment Bucket
-6	Vandal Proof
-8	Backwater Valve (3, 4" Only)
-12	Galvanized Top
-13	All Galvanized
-113M	Special Epoxy from 3M Range
-Z	Elastomeric Flange



Pipe Size	Std. No Hub	P Push On	60/61 PVC/ABS
2"(51)	3 5/8"(92)	4-1/4"(108)	4"(102)
3"(76)	3 5/8"(92)	4-1/4"(108)	3-3/4"(95)
4"(102)	3 5/8"(92)	4-1/4"(108)	3-3/4"(95)

NOTICE

The information contained herein is not intended to replace the full product installation and safety information available or the experience of a trained product installer. You are required to thoroughly read all installation instructions and product safety information before beginning the installation of this product.

Watts product specifications in U.S. customary units and metric are approximate and are provided for reference only. For precise measurements, please contact Watts Technical Service. Watts reserves the right to change or modify product design, construction, specifications, or materials without prior notice and without incurring any obligation to make such changes and modifications on Watts products previously or subsequently sold.



USA: T: (800) 338-2581 • Watts.com
 Canada: T: (888) 208-8927 • Watts.ca
 Latin America: T: (52) 55-4122-0138 • Watts.com