

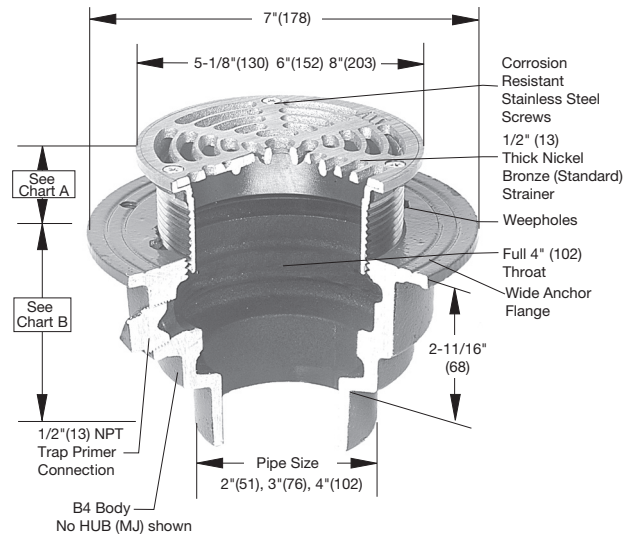
Engineering Specification

Job Name _____
 Job Location _____
 Engineer _____
 Approval _____
 Tag _____

Contractor _____
 Approval _____
 Contractor's P.O. No. _____
 Representative _____

FD-200 Floor Drain With Round Heavy Duty Strainer Specification

Watts FD-200 epoxy coated cast iron floor drain with anchor flange, weepholes, 1/2" (13) thick (specify diameter) nickel bronze (standard) strainer, and no hub (MJ) (standard) outlet.



Pipe Sizing	
Suffix	Description
2	2"(51) Pipe Size <input type="checkbox"/>
3	3"(76) Pipe Size <input type="checkbox"/>
4	4"(102) Pipe Size <input type="checkbox"/>

Outlet Type	
Suffix	Description
NH	No Hub (MJ) <input type="checkbox"/>
P	Push On <input type="checkbox"/>

Strainer	
Suffix	Description
5-1	5"(127) Dia., Nickel Bronze <input type="checkbox"/>
5-3	5"(127) Dia., Stainless Steel <input type="checkbox"/>
5-4	5"(127) Dia., Ductile Iron <input type="checkbox"/>
6-1	6"(152) Dia., Nickel Bronze <input type="checkbox"/>
6-3	6"(152) Dia., Stainless Steel <input type="checkbox"/>
8-1	8"(203) Dia., Nickel Bronze <input type="checkbox"/>

Options	
Suffix	Description
-5	Sediment Bucket <input type="checkbox"/>
-6	Vandal Proof <input type="checkbox"/>
-8	Backwater Valve (3, 4" Only) <input type="checkbox"/>
-12	Galvanized Top <input type="checkbox"/>
-13	All Galvanized <input type="checkbox"/>
-15	Strainer Extension (DD-50) <input type="checkbox"/>
-113M	Special Epoxy from 3M Range <input type="checkbox"/>
-F4-50	4" Round Cast Iron Funnel <input type="checkbox"/>
-F4-1	4" Round Nickel Bronze Funnel <input type="checkbox"/>
-F6-1	6" Round Nickel Bronze Funnel <input type="checkbox"/>
-G-50	4x9" Oval Cast Iron Funnel <input type="checkbox"/>
-G-1	4x9" Oval Nickel Bronze Funnel <input type="checkbox"/>
-Z	Elastomeric Flange <input type="checkbox"/>

Optional Body Material	
Suffix	Description
-60	PVC Body w/Socket Outlet <input type="checkbox"/>
-61	ABS Body w/Socket Outlet <input type="checkbox"/>

Str. Dia.	Min.	Max.	Load Rating	Free Area Sq. In.
5"(127)	7/16"(11)	1-5/8"(41)	*XHD	7
6"(152)	5/8"(16)	5/8"(16)	*XHD	8
8"(203)	3/4"(19)	3/4"(19)	* HD	18

Pipe Size	Std. No Hub	P Push On	60/61 PVC/ABS
2"(51)	3 5/8"(92)	4 1/4"(108)	4"(102)
3"(76)	3 5/8"(92)	4 1/4"(108)	3-3/4" (95)
4"(102)	3 5/8"(92)	4 1/4"(108)	3-3/4"(95)

NOTICE
 The information contained herein is not intended to replace the full product installation and safety information available or the experience of a trained product installer. You are required to thoroughly read all installation instructions and product safety information before beginning the installation of this product.

NOTICE
 * The load classifications are in accordance with the American National Standards ASME A112.21.1M
 ASME Ratings are as follows:
 HD - Safe Live Load 5000-7499 lbs.(2250-3375kg)
 XHD - Safe Live Load 7500-10000 lbs.(3375-4500kg)
 The above categories are given as a guide only.
 Please consult factory.

Watts product specifications in U.S. customary units and metric are approximate and are provided for reference only. For precise measurements, please contact Watts Technical Service. Watts reserves the right to change or modify product design, construction, specifications, or materials without prior notice and without incurring any obligation to make such changes and modifications on Watts products previously or subsequently sold.



USA: T: (800) 338-2581 • Watts.com
 Canada: T: (888) 208-8927 • Watts.ca
 Latin America: T: (52) 55-4122-0138 • Watts.com