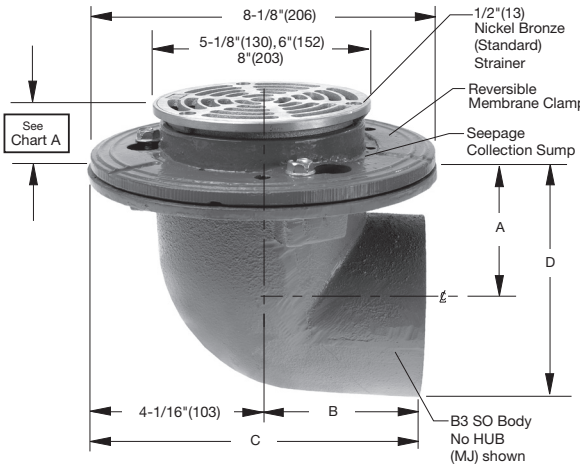


Engineering Specification

Job Name _____ Contractor _____
 Job Location _____ Approval _____
 Engineer _____ Contractor's P.O. No. _____
 Approval _____ Representative _____
 Tag _____

FD-160-C Floor Drain With No Hub (MJ) Side Outlet Specification

Watts FD-160-C epoxy coated cast iron floor drain with anchor flange, cast iron reversible membrane clamp with primary and secondary weepholes, and 1/2"(13) thick (specify diameter) adjustable nickel bronze (standard) strainer, and no hub (MJ) (standard) side outlet.



Pipe Sizing			Options		
Suffix	Description		Suffix	Description	
2	2"(51) Pipe Size	<input type="checkbox"/>	-5	Sediment Bucket	<input type="checkbox"/>
3	3"(76) Pipe Size	<input type="checkbox"/>	-6	Vandal Proof	<input type="checkbox"/>
4	4"(102) Pipe Size	<input type="checkbox"/>	-8	Backwater Valve (3, 4" Only)	<input type="checkbox"/>
Strainer			-12	Galvanized Top	<input type="checkbox"/>
Suffix	Description		-13	All Galvanized	<input type="checkbox"/>
5-1	5"(127) Dia., 1/2" Thick, NB	<input type="checkbox"/>	-15	Strainer Extension (DD-50)	<input type="checkbox"/>
6-1	6"(152) Dia., 1/2" Thick, NB	<input type="checkbox"/>	-113M	Special Epoxy from 3M Range	<input type="checkbox"/>
8-1	8"(203) Dia., 1/2" Thick, NB	<input type="checkbox"/>	-F4-50	4" Round Cast Iron Funnel	<input type="checkbox"/>
5-3	5"(127) Dia., 1/2" Thick, SS	<input type="checkbox"/>	-F4-1	4" Round Nickel Bronze Funnel	<input type="checkbox"/>
6-3	6"(152) Dia., 1/2" Thick, SS	<input type="checkbox"/>	-F6-1	6" Round Nickel Bronze Funnel	<input type="checkbox"/>
5-4	5"(127) Dia., 1/2" Thick, DI	<input type="checkbox"/>	-G-50	4x9" Oval Cast Iron Funnel	<input type="checkbox"/>
NB=Nickel Bronze, SS=Stainless Steel			-G-1	4x9" Oval Nickel Bronze Funnel	<input type="checkbox"/>
DI= Ductile Iron			-Z	Elastomeric Flange	<input type="checkbox"/>

Model	A	B	C	D
B3-2-SO	4-5/8"(117)	7-1/4"(184)	11-5/16"(287)	5-3/4"(146)
B3-3-SO	4-3/32"(104)	5-3/4"(146)	9-27/32"(250)	5-3/4"(146)
B3-4-SO	3-5/8"(92)	4-1/32"(102)	8-3/32"(206)	5-3/4"(146)

NOTICE

The information contained herein is not intended to replace the full product installation and safety information available or the experience of a trained product installer. You are required to thoroughly read all installation instructions and product safety information before beginning the installation of this product.

NOTICE

* The load classifications are in accordance with the American National Standards ASME A112.21.1M
 ASME Ratings are as follows:
 HD - Safe Live Load 5000-7499 lbs.(2250-3375kg)
 XHD - Safe Live Load 7500-10000 lbs.(3375-4500kg)
 The above categories are given as a guide only.
 Please consult factory.

Chart A						
Suffix	Str. Dia.	Material	Min.	Max.	Load Rating	Free Area Sq.In.
5-1	5"(127)	NB	13/16"(21)	2-1/2"(64)	*XHD	7
6-1	6"(152)	NB	7/8"(22)	2-3/4"(70)	*XHD	8
8-1	8"(203)	NB	7/8"(22)	2-7/8"(73)	*HD	18
5-3	5"(127)	SS	13/16"(21)	2-1/2"(64)	*XHD	7
6-3	6"(152)	SS	7/8"(22)	2-3/4"(70)	*XHD	8
5-4	5"(127)	DI	13/16"(21)	2-1/2"(64)	*XHD	7

Watts product specifications in U.S. customary units and metric are approximate and are provided for reference only. For precise measurements, please contact Watts Technical Service. Watts reserves the right to change or modify product design, construction, specifications, or materials without prior notice and without incurring any obligation to make such changes and modifications on Watts products previously or subsequently sold.



USA: T: (800) 338-2581 • Watts.com
Canada: T: (888) 208-8927 • Watts.ca
Latin America: T: (52) 55-4122-0138 • Watts.com