

# Engineering Specification

Job Name \_\_\_\_\_

Contractor \_\_\_\_\_

Job Location \_\_\_\_\_

Approval \_\_\_\_\_

Engineer \_\_\_\_\_

Contractor's P.O. No. \_\_\_\_\_

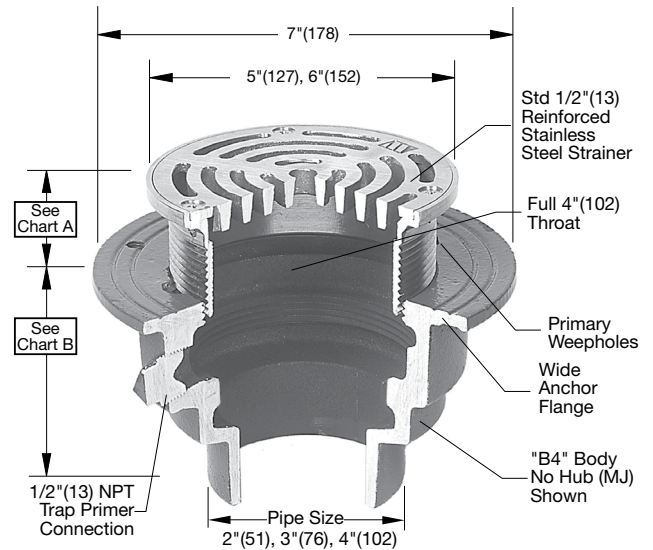
Approval \_\_\_\_\_

Representative \_\_\_\_\_

Tag \_\_\_\_\_

## FD-1200 Floor Drain with Stainless Steel Strainer for Non-Membrane Areas Specification

Watts FD-1200 fusion-bonded, powder epoxy coated cast iron floor drain with anchor flange, weepholes and adjustable round Type 304 cast stainless steel strainer



Pipe Sizing	
Suffix	Description
2	2"(51) Pipe Size
3	3"(76) Pipe Size
4	4"(102) Pipe Size

Outlet Type	
Suffix	Description
NH	No Hub (MJ)
P	Push On
T	Threaded Outlet
X	Inside Caulk

Options	
Suffix	Description
-5	Sediment Bucket
-6	Vandal Proof
-8	Backwater Valve (3"/4" Only)
-10	Secured Top w/Phillips Screws
-13	Galvanized body
-15	Strainer Extension (DD-50)
-28	All Stainless Steel
-113M	Special Epoxy from 3M Range

Strainer	
Suffix	Description
-5-3	5"(127) Dia. Stainless Steel
-6-3	6"(152) Dia. Stainless Steel

Optional Body Material (NH Only)	
Suffix	Description
-60	PVC Body w/Socket Outlet
-61	ABS Body w/Socket Outlet

**Chart A**

Str. Dia.	Min.	Max.	Load Rating	Free Area Sq. In.
5"(127)	7/16"(11)	1 5/8"(41)	*XHD	8
6"(152)	5/8"(16)	1 7/8"(48)	*XHD	9

**Chart B**

Pipe Size	Std. No Hub	P Push On	60/61 PVC/ABS
2"(51)	3"(76)	4"(102)	4"(102)
3"(76)	3"(76)	4"(102)	3 3/4"(95)
4"(102)	3"(76)	4"(102)	3 3/4"(95)

### NOTICE

The information contained herein is not intended to replace the full product installation and safety information available or the experience of a trained product installer. You are required to thoroughly read all installation instructions and product safety information before beginning the installation of this product.

Watts product specifications in U.S. customary units and metric are approximate and are provided for reference only. For precise measurements, please contact Watts Technical Service. Watts reserves the right to change or modify product design, construction, specifications, or materials without prior notice and without incurring any obligation to make such changes and modifications on Watts products previously or subsequently sold.



**USA:** T: (800) 338-2581 • Watts.com  
**Canada:** T: (888) 208-8927 • Watts.ca  
**Latin America:** T: (52) 55-4122-0138 • Watts.com