

For Commercial Applications

Job Name _____
 Job Location _____
 Engineer _____
 Approval _____
 Tag _____

Contractor _____
 Approval _____
 Contractor's P.O. No. _____
 Representative _____

CA-411/CA-411-WC Floor Mounted Lavatory Carrier with Concealed Arms

Specification

Watts CA-411/CA-411-WC floor mounted concealed arm lavatory carrier with heavy gauge steel uprights with integral welded feet, adjustable epoxy coated cast iron arms with leveling screws and basin locking device, upper tie rod, and plated hardware.

Function: Recommended for installation where added security of an independent foot supported carrier is required for lavatories designed for installation with concealed arms.

Options (Select One)		
Suffix	Description	
-WC	Wheelchair Access Lavatory Extended Arms	<input type="checkbox"/>
-M42	42"(1067) Long Carrier Leg	<input type="checkbox"/>
-M51	Wall Thickness over 5", per add inch (single)	<input type="checkbox"/>
-M53	Vandal Proof Trim, Single	<input type="checkbox"/>
-M54	2" Chrome Plated Escutcheons, Single	<input type="checkbox"/>
-M55	4" Chrome Plated Escutcheons, Single	<input type="checkbox"/>
-M56	6" Chrome Plated Escutcheons, Single	<input type="checkbox"/>
-M59	Floor to Ceiling Adaptor, Single	<input type="checkbox"/>
-M60	Valve Supporting Plate, Single	<input type="checkbox"/>
-M61	Valve Supporting Bar, Single	<input type="checkbox"/>

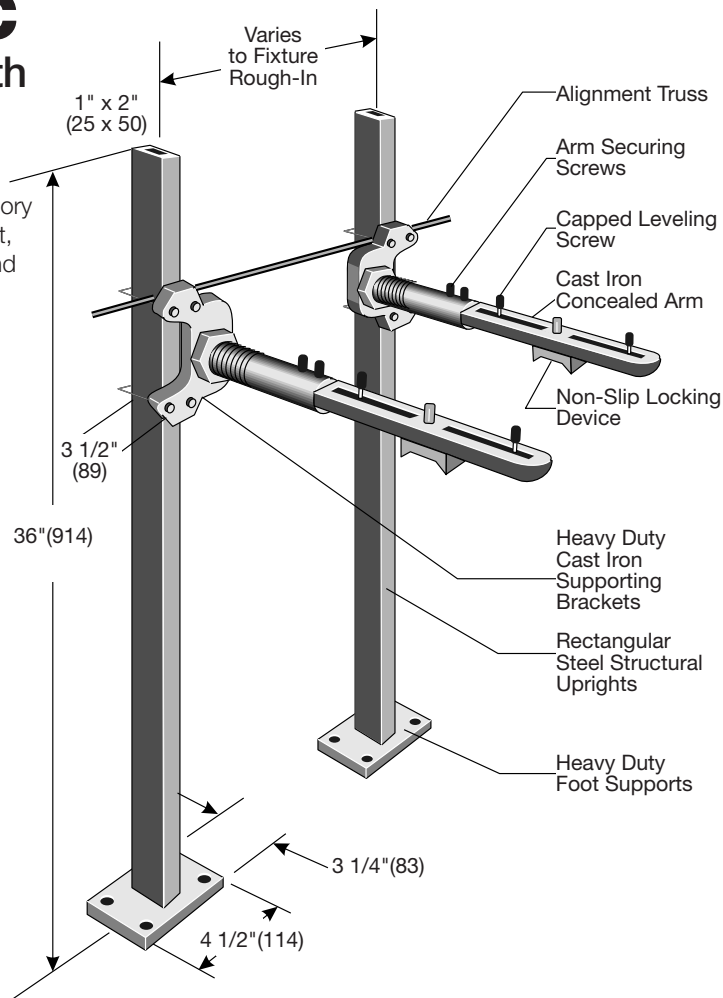
NOTICE

Foot Supports Should Be Securely Anchored To Floor with 1/2" Bolts and Anchors By Others.

NOTICE

The information contained herein is not intended to replace the full product installation and safety information available or the experience of a trained product installer. You are required to thoroughly read all installation instructions and product safety information before beginning the installation of this product.

Watts product specifications in U.S. customary units and metric are approximate and are provided for reference only. For precise measurements, please contact Watts Technical Service. Watts reserves the right to change or modify product design, construction, specifications, or materials without prior notice and without incurring any obligation to make such changes and modifications on Watts products previously or subsequently sold.



USA: T: (800) 338-2581 • F: (828) 248-3929 • Watts.com

Canada: T: (888) 208-8927 • F: (888) 479-2887 • Watts.ca

Latin America: T: (52) 55-4122-0138 • Watts.com

