


Submittal Package

**Engineering Specification, Installation, Operation and Maintenance
Series LFM116 – Large**

Pressure Relief, Sustaining, or Backpressure Control Valve

Sizes: 20 and 24"

⚠ WARNING



Read this Manual BEFORE using this equipment. Failure to read and follow all safety and use information can result in death, serious personal injury, property damage, or damage to the equipment. Keep this Manual for future reference.

THINK SAFETY FIRST

⚠ WARNING

Local building or plumbing codes may require modifications to the information provided. You are required to consult the local building and plumbing codes prior to installation. If the information provided here is not consistent with local building or plumbing codes, the local codes should be followed. This product must be installed by a licensed contractor in accordance with local codes and ordinances.

⚠ WARNING

Need for Periodic Inspection/Maintenance: This product must be tested periodically in compliance with local codes, but at least once per year or more as service conditions warrant. All products must be retested once maintenance has been performed. Corrosive water conditions and/or unauthorized adjustments or repair could render the product ineffective for the service intended. Regular checking and cleaning of the product's internal and external components helps assure maximum life and proper product function.

If installed on a fire sprinkler system, all mechanical checks, such as alarm checks and backflow preventers, should be flow tested and inspected internally in accordance with NFPA 13 and NFPA 25.

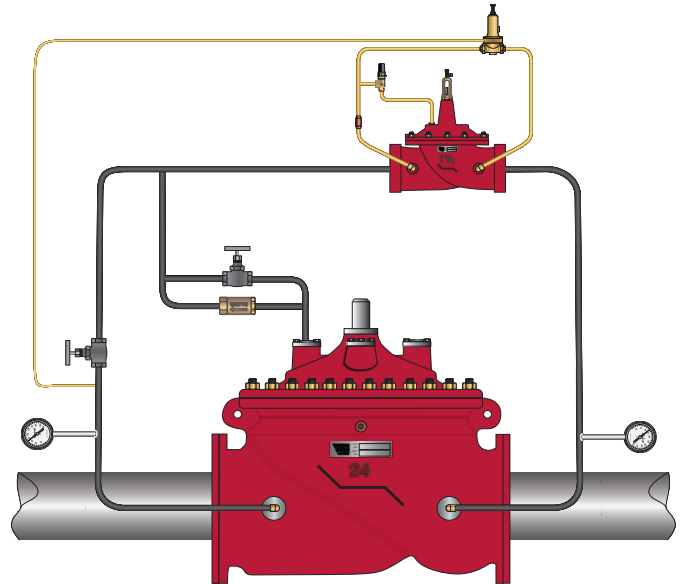


Table of Contents	Page
Engineering Specifications	
ACV Schematic	2
Basic Valves	3
Standard Components	7
Optional Components	9
Installation, Operation and Maintenance	
Installation	10

Watts product specifications in U.S. customary units and metric are approximate and are provided for reference only. For precise measurements, please contact Watts Technical Service. Watts reserves the right to change or modify product design, construction, specifications, or materials without prior notice and without incurring any obligation to make such changes and modifications on Watts products previously or subsequently sold.



LEAD FREE*

Series LFM116 - Large

Pressure Relief, Sustaining, or Backpressure Control Valve

Full Port Ductile Iron Single Chamber Valve

Features

- Opens when upstream pressure is above setpoint
- Closes when upstream pressure is below setpoint
- Adjustable Closing Speed
- When installed on branch of tee, acts as Pressure Relief Valve
- When installed between two pressure zones, acts as Pressure Sustaining Valve
- When installed on discharge of a pump, acts as Backpressure Control Valve
- Setpoint is adjustable

Standard Components

- 1 — Main Valve - M100 Single Chamber
- 2 — Pressure Relief/Sustaining Control (1.5" Threaded [LFM116](#))
- 3 — ACS - Adjustable Closing Speed (Globe Valve)
- 4 — AOS - Adjustable Opening Speed (Globe with Check)
- 5 — Pressure Gauges
- X — Isolation Cocks
- Y — Wye-Strainer

Options and Accessories

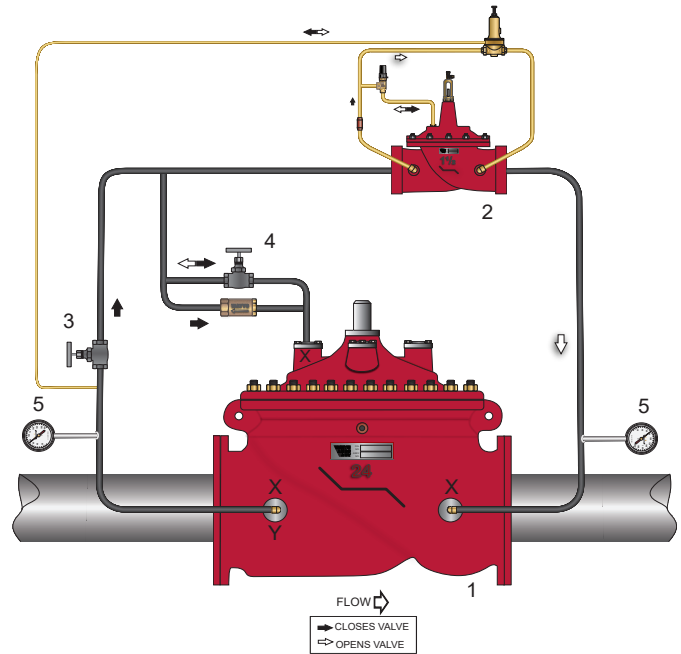
- L Limit Switch
- P Position Indicator

Operation

The Pressure Relief, Sustaining or Backpressure Automatic Control Valve (ACV) is designed to permit flow when upstream pressure is above the adjustable setpoint of the control pilot, and throttle toward closed when upstream pressure falls below the adjustable setpoint. It is controlled by a normally closed control pilot designed to: 1) Open (allowing fluid out of the main valve cover chamber) when upstream pressure is above the adjustable setpoint, and, 2) Close (allowing fluid to fill the main valve cover chamber) when upstream pressure is below the adjustable setpoint. An increase in upstream pressure causes the valve to modulate toward an open position. A decrease in upstream pressure causes the valve to modulate toward a closed position.

When the valve is installed "off the main line" on the branch of a tee, it serves as a Pressure Relief Control Valve. The valve is normally closed, and quickly opens when upstream pressure exceeds the pilot setting, relieving pressure, commonly discharging to a storage reservoir, pump suction, or atmosphere. When upstream pressure is lowered below the pilot setting, the valve closes at a controlled, adjustable rate.

When the valve is located "in line" connecting two distribution zones, the valve acts as a Pressure Sustaining Control Valve. When pressure in the upstream zone falls below the pilot setting, the valve modulates toward a closed position, sustaining pressure in the upstream zone. The valve will close, if necessary, until upstream pressure is above the pilot setting. The valve should be specified to include the optional opening speed control and position indicator when used for Pressure Sustaining applications.



When the valve is installed "in line" on the discharge of a pump, it acts as Backpressure Control Valve. When pump discharge pressure falls below the pilot setting, the valve modulates toward a closed position, increasing backpressure against the pump. The valve should be specified to include the optional opening speed control when used for Backpressure applications.

***The wetted surface of this product contacted by consumable water contains less than 0.25% of lead by weight.**

M Series Basic Valves

Pressure Relief, Sustaining, or Backpressure Control Valve

Full Port Ductile Iron Single Chamber Basic Valve

This Watts Automatic Control Valve (ACV) is a full port, single chamber basic valve that incorporates a one-piece disc and diaphragm assembly. This assembly is the only moving part within the valve allowing it to open, close, or modulate as commanded by the pilot control system.

Watts ACV Main Valves are Lead Free. The Watts ACV piloting system contains Lead Free* components, ensuring all of our configurations are Lead Free compliant.

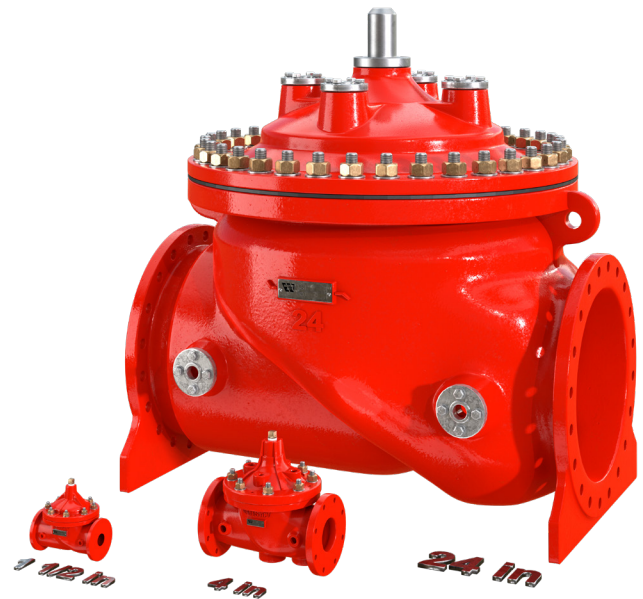
Globe Pattern Single Chamber Basic Valve (M100)

Standard Materials

Body and Cover:	Ductile Iron ASTM A536
Coating:	NSF Listed Fusion Bonded Epoxy Lined and Coated
Trim:	316 Stainless Steel
Elastomers:	Buna-N (standard)
Nut, Spring and Stem:	Stainless Steel
Anti-Scale:	Xylan Coated Stem and Seat (Optional)



Basic Valve Body Options



Globe Flanged

Operating Pressure

150# Flanged = 250psi (17.2 bar)

300# Flanged = 400psi (27.6 bar)

Operating Temperature

Buna-N: 160°F (71°C) Maximum

Epoxy Coating**: 225°F (107°C) Maximum

** Valves can be provided without internal epoxy coating consult factory

*The wetted surface of this product contacted by consumable water contains less than 0.25% of lead by weight.

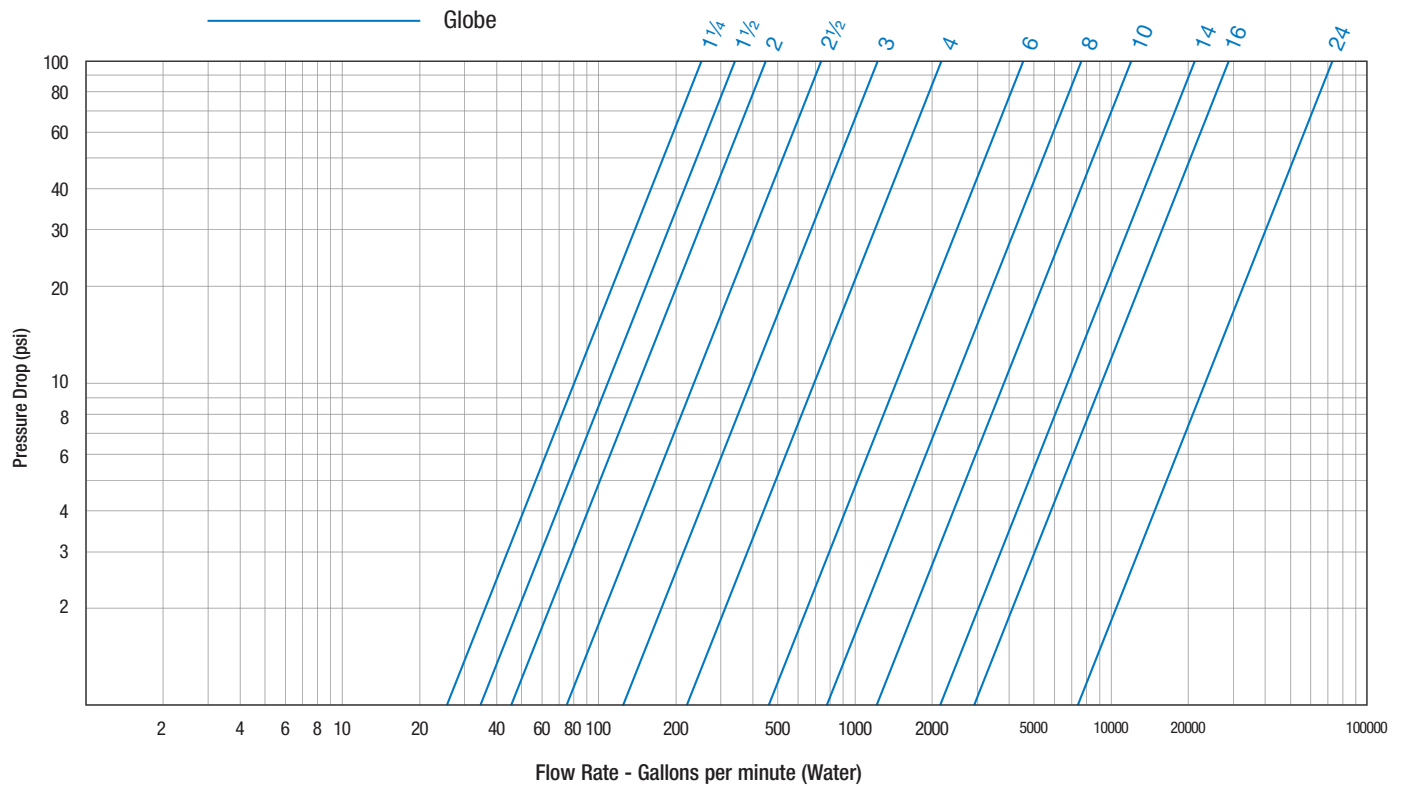
ACV Schematic - Series LFM116 - Large

Flow Data

Valve Size - Inches		1¼	1½	2	2½	3	4	6	8	10	12	14	16	20	24
Suggested	Maximum Continuous Flow Rate Gpm (Water)	95	130	210	300	485	800	1850	3100	5000	7000	8500	11100	19600	28200
	Maximum Intermittent Flow Rate Gpm (Water)	119	161	265	390	590	1000	2300	4000	6250	8900	10800	14100	24500	35250
	Minimum Flow Rate Gpm (Water)	3	5	6	9	15	16	17	25	55	70	190	400		315
C_v	CV Factor GPM (Globe)	26	26	48	75	112	188	387	764	1215	1734	2234	3131		7447
	CV Factor GPM (Angle)	26	27	57	91	125	207	571	889	1530	1945				

- Maximum continuous flow based on velocity of 20 ft. per second.
- Maximum intermittent flow based on velocity of 25 ft. per second.
- Minimum flow rates based on a 20-40 psi pressure drop.
- The C_v Factor of a valve is the flow rate in US GPM at 60°F that will cause a 1psi drop in pressure.
- C_v factor can be used in the following equations to determine Flow (Q) and Pressure Drop (ΔP):

$$Q \text{ (Flow)} = C_v \sqrt{\Delta P} \quad \Delta P \text{ (Pressure Drop)} = (Q/C_v)^2$$



Valve Cover Chamber Capacity

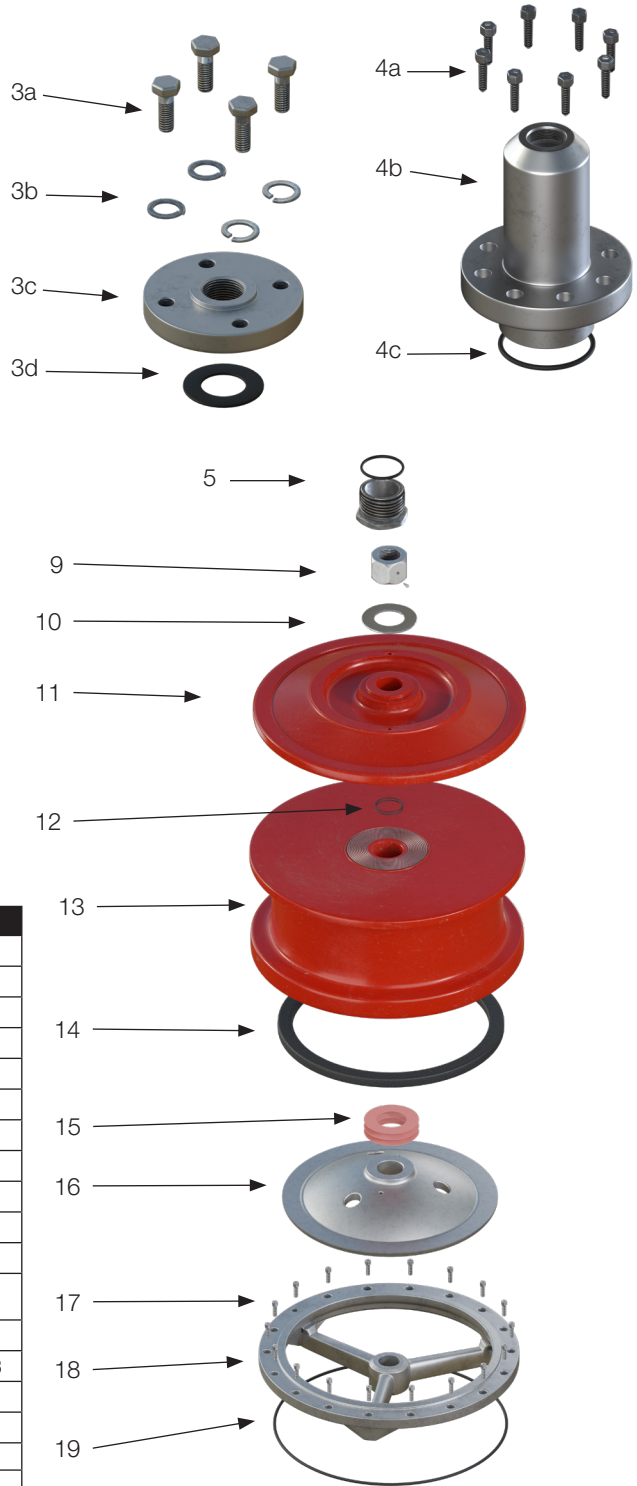
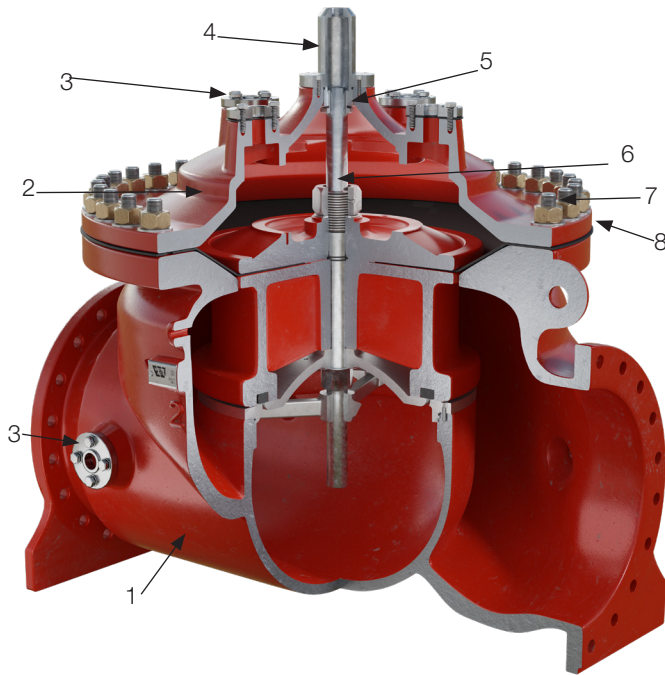
Valve Size - Inches	20	24
U.S. Gal	25.5	37.1
Liter	96.5	140.4

Valve Travel

Valve Size - Inches	20		24	
	in.	cm.	in.	cm.
Travel - Inches	5.62	14.3	6.75	17.1

ACV Schematic - Series LFM116 - Large

Basic Valve



Item	Description	Material
1	150# Body	Epoxy Coated Ductile Iron - ASTM A536
2	Cover	Epoxy Coated Ductile Iron - ASTM A536
3a	Flange Screws x4	Stainless Steel 18-8
3b	3/4 Lock Washer	Stainless Steel - UNS S30400
3c	Flange 1 1/2 NPT, 300 CL	Stainless Steel 18-8
3d	Gasket 1 1/2 Pipe	Buna-N
4a	Guide Cover Screws	Stainless Steel 18-8
4b	Guide Cover	Stainless Steel - UNS S30400
4c	O-Ring	Buna-N - 70 DURO
5	Cover Bearing with O-Ring	ASTM A276 UNS S30400, Buna-N - 70 DURO
6	Stem	Xylan Coated Stainless Steel - UNS S30400
7	Cover Stud with Hex Nut and Flat Washer	ASTM A193 GRB7 Yellow Zinc PLT; ASTM A194 GR2H Yellow Zinc PLT; Carbon Steel Zinc Plated
8	Diaphragm	Buna-N
9	Stem Nut with Set Screw	Stainless Steel ASTM A276 304; Stainless Steel - 18-8
10	Stem Nut Washer	Stainless Steel - UNS S30400
11	Diaphragm Washer	Epoxy Coated Ductile Iron - ASTM A536
12	O-Rings x2	Buna-N
13	Disc Retainer	Epoxy Coated Ductile Iron - ASTM A536
14	Disc	Buna-N
15	Spacer Washer x3	Vulcanized Fiber
16	Disc Guide	CF8M
17	Seat Screws x18	Stainless Steel 18-8
18	Seat	ASTM A743 CF8M
19	O-Ring	Buna-N

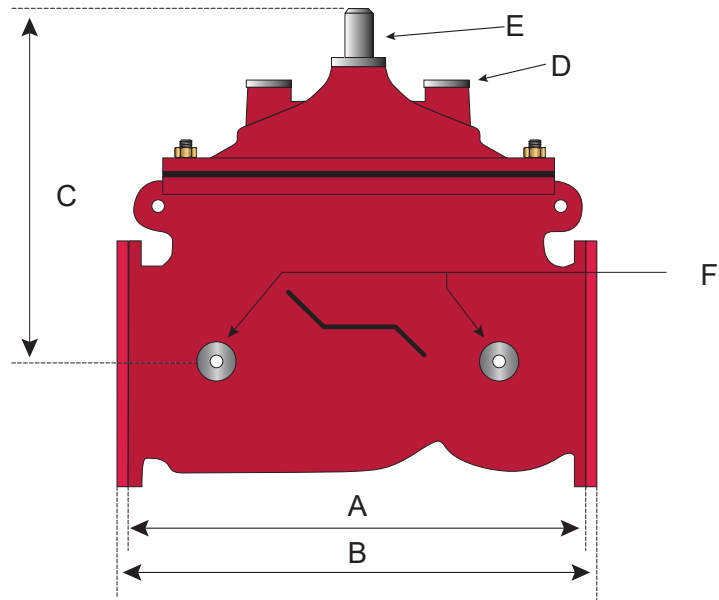
* Contained in Main Valve Repair Kit

NOTICE

Installation: If unit is installed in any orientation other than horizontal (cover up) OR extreme space constraints exist, consult customer service prior to or at the time of order.

ACV Schematic - Series LFM116 - Large

Dimensions



Valve Size	Globe 150#		Globe 300#		Cover To Center		Port Size NPT		Port Size NPT		Port Size NPT		Shipping Weights*	
	A		B		C		D		E		F		lbs.	kgs.
<i>in.</i>	<i>in.</i>	<i>mm</i>	<i>in.</i>	<i>mm</i>	<i>in.</i>	<i>mm</i>	<i>in.</i>	<i>mm</i>	<i>in.</i>	<i>mm</i>	<i>in.</i>	<i>mm</i>		
20	52	1320.8	53%	1361.9	39%	1000	1½	38.1	1½	38.1	1½	38.1	4312	1955.9
24	61½	1562.1	63¼	1606.3	47	1192.8	1½	38.1	1½	38.1	1½	38.1	6629	3006.9

LEAD FREE*

Model CK

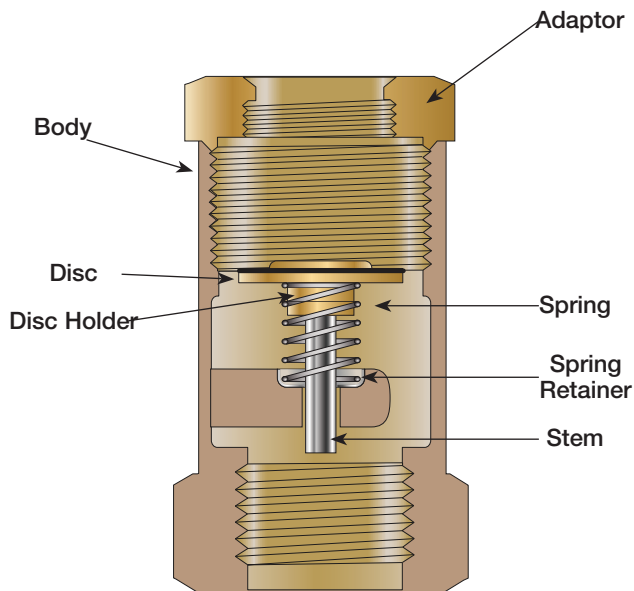
Check Valve

Size: 1/4" - 1" NPT

Model CK Check Valves are pilot line check valves. In typical applications these low cracking pressure in-line checks provide a hydraulic check feature to a pilot system. When the main valve outlet pressure exceeds inlet pressure, fluid is directed from the outlet to the main valve cover. This causes the main valve to close until inlet pressure is again greater than outlet.



Model LFCK



Specifications

Standard Material: Brass Housing and Body
Stainless Steel Indicating Rod

Optional Material: Stainless Steel Housing and Body Disc
Viton® (1/4" - 1/2")
PTFF (1")

Pressure Rating: 400psi (27.6 bar)

Viton® is a registered trademark of DuPont Dow Elastomers.

*The wetted surface of this product contacted by consumable water contains less than 0.25% of lead by weight.

LEAD FREE*

Model LF60-1

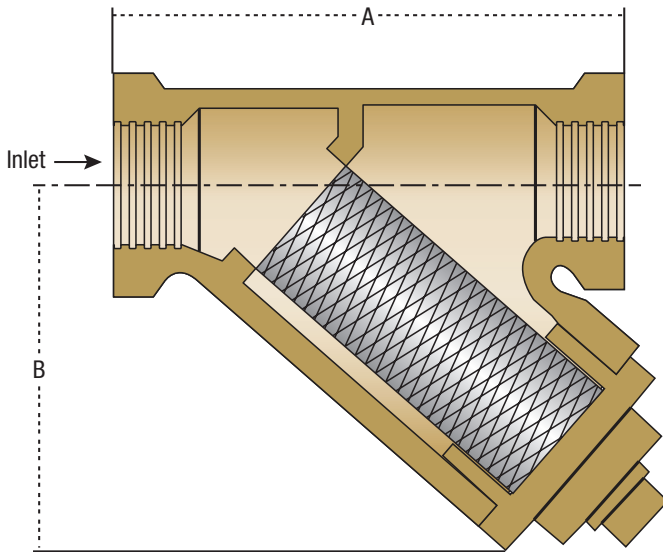
Y-Pattern Strainer

Size: ¼" – ¾" NPT

Model LF60-1 Y-Pattern Strainers are used to filter the fluid passing through the pilot circuit, and provide protection to pilot circuit speed controls and pilots. The filter element can be accessed for cleaning by removing the clean-out cap, or may be cleaned by installing an optional "blow-down" ball valve.



Model LF60-1



Specifications

- Body Material:** Lead Free Copper Silicon Alloy
CF8M (316) Stainless Steel (optional)
- Retainer Cap:** Lead Free Copper Silicon Alloy
- Cap Gasket:** EPDM
- Pressure Rating:** 400psi (27.6 bar)
- Filter Element:** 304 Stainless Steel
- Mesh Options:** 60 Mesh (standard)
100 Mesh (optional)

Dimensions

SIZE	DIMENSIONS				WEIGHT	
	A		B		lbs.	kgs.
in.	in	mm	in	mm		
¼	2 ¹ / ₁₆	68	1 ¹ / ₁₆	43	1.7	0.77
⅜	2 ¹ / ₁₆	68	1 ¹ / ₁₆	43	1.7	0.77
½	3	76	2	51	1.7	0.77
¾	3 ⁵ / ₁₆	84	2 ⁵ / ₁₆	59	1.7	0.77

*The wetted surface of this product contacted by consumable water contains less than 0.25% of lead by weight.

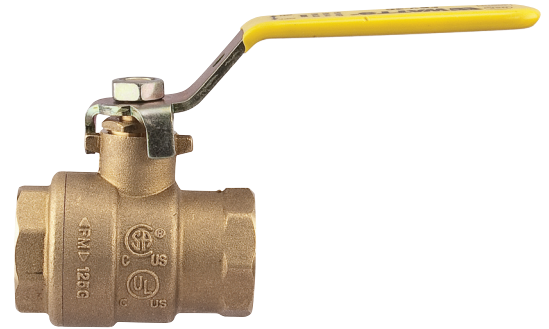
LEAD FREE*

Model BV

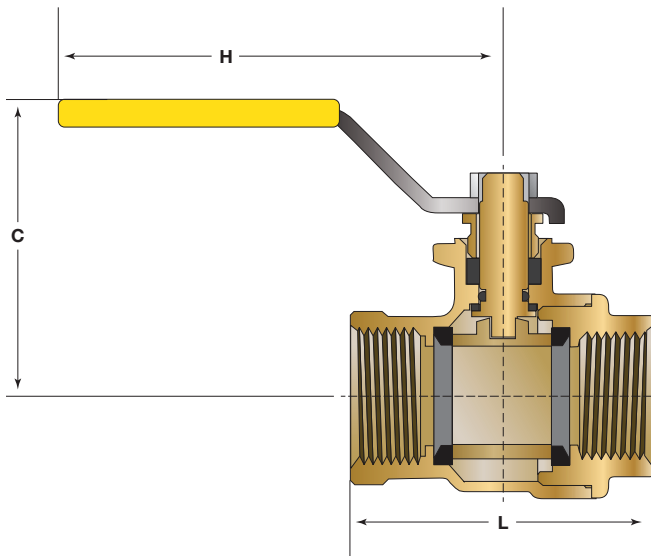
Ball Valve

Size: ¼" – 1" NPT

Model BV Ball Valves are used in pilot lines to provide a positive shutoff in any override or maintenance situation for simple trouble shooting. This 2-piece, full port valve features: bottom loaded stems, PTFE seats and packing.



Lead Free Ball Valve



Specifications

- Standard Material: Copper Silicon Alloy Body and Adaptor
Chrome Plated Ball
- Optional Material: Stainless Steel Housing, Body and Adaptor
Stainless Steel Ball
- Pressure Rating: 600psi (41 bar) Non Shock
- Temp Rating: -40°F - 400°F

*The wetted surface of this product contacted by consumable water contains less than 0.25% of lead by weight.

Size	Dimensions						Weight	
	C		H		L			
in.	in.	mm	in.	mm	in.	mm	lbs.	kg.
¼	1 ¹³ / ₁₆	46	3 ⁷ / ₁₆	87	1 ³ / ₄	45	0.4	0.2
¾	1 ¹³ / ₁₆	46	3 ⁷ / ₁₆	87	1 ³ / ₄	45	0.4	0.2
½	1 ¹³ / ₁₆	46	3 ⁷ / ₁₆	87	1 ¹⁵ / ₁₆	50	0.4	0.2
¾	2 ¹ / ₄	57	4	101	2 ⁵ / ₁₆	59	0.8	0.3

LEAD FREE*

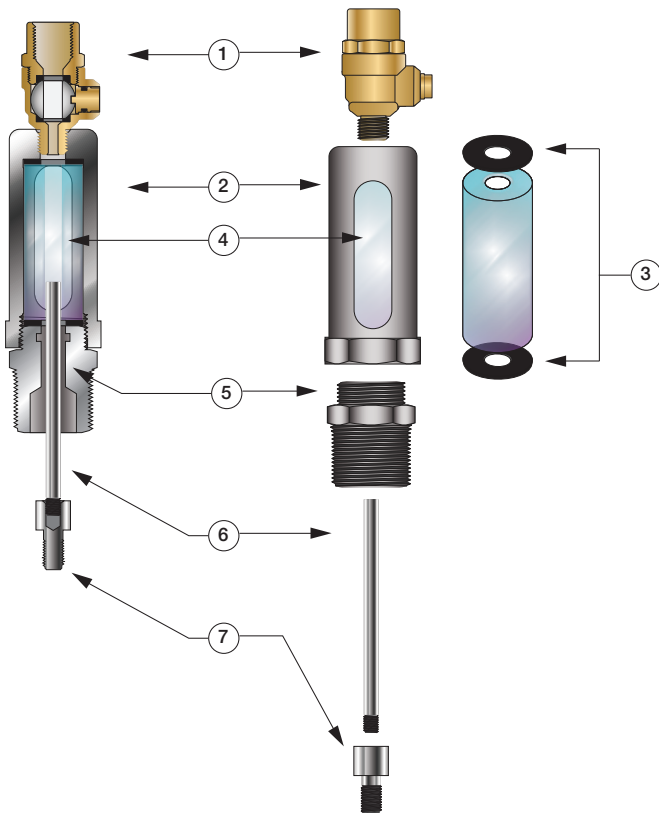
Model 50 Position Indicator

When specified as an option on a Control Valve, the Model 50 Position Indicator is installed in the topmost cover port of the Main Valve and allows for visual indication of valve position. The Model 50 is also very useful during valve start-up and troubleshooting procedures.

A stainless steel indicating rod threads into the tapped portion of the Main Valve stem and moves inside of a cylindrical Pyrex sight tube. The indicating rod travels up and down, following Main Valve stem movement. The housing protects the sight tube and indicating rod, and allows visibility on two sides. The screw driver operated test cock installed on the top of the Model 50 housing provides a controlled method of removal of air from the cover chamber during start-up or troubleshooting of the Main Valve.



Model LF50



Item	Description
1	Test Cock
2	Housing
3	Gasket
4	Pyrex Sight Tube
5	Body
6	Indicating Rod
7	Stem Adaptor (8" or Larger)

Specifications

Standard Material: Stainless Steel Housing and Body
Stainless Steel Indicating Rod

Lead Free Test Cock
Pyrex Sight Tube

Optional Material: Stainless Steel Test Cock

Pressure Rating: 400psi (27.6 bar)

*The wetted surface of this product contacted by consumable water contains less than 0.25% of lead by weight.

Dimensions

Valve Size (in)	Dimension (in)
1½ - 1½	7¾
2	4¾
2½	4¾
3	4¾
4	5
6	5
8	5½
10	5¾
12	7¼
14	7¼
16	7¼
18*	7¼
20*	7¼
24*	7¼

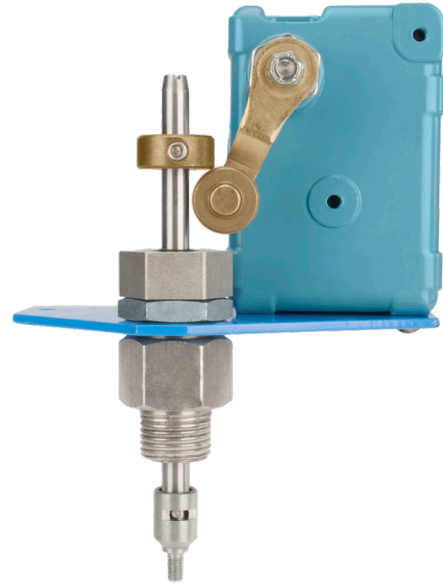
*Reduced Port

LEAD FREE*

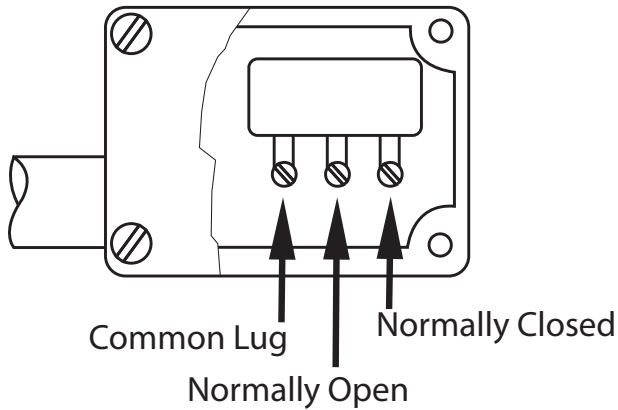
Model 51 Single Limit Switch

The Model 51 Single Limit Switch provides visual indication of valve position, as well as remote electrical indication of "valve open" or "valve closed". The single pole double throw Micro-Switch can be connected to open or close an electrical circuit when the valve opens or closes.

The adjustable collar is normally set to contact the trip arm when the main valve is closed. The collar can be positioned on the stem by loosening the set-screw to actuate the switch at the desired point of valve travel.



Model LF51



Single Pole Double Throw Switch

Specifications

Body Material: Stainless Steel

Elastomers: Buna-N (standard)
EPDM (optional)
Viton™ (optional)

Enclosure: NEMA 1, 3, 4 and 13 General Purpose (standard)
NEMA 1, 7 and 9 Explosion Proof (optional)

Electrical: Form C SPDT Switch
15 amp. 125, 250 or 480 VAC
½ amp. 125 VDC
¼ amp. 250 VDC
½" Conduit Connection

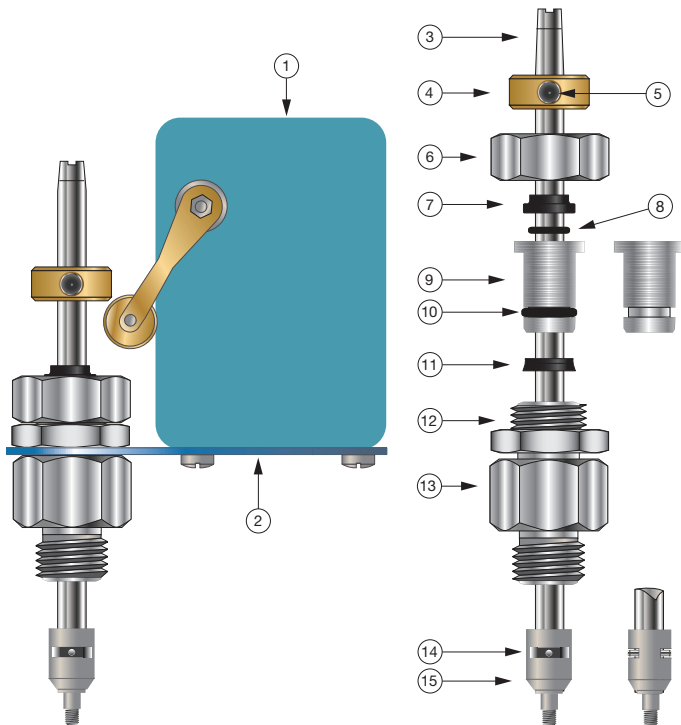
Viton™ is a trademark of The Chemours Company FC, LLC

*The wetted surface of this product contacted by consumable water contains less than 0.25% of lead by weight.

Parts List

Item	Description
1	Limit Switch
2	Bracket
3	Stem
4	Trip collar
5	Set Screw
6	Cap
7	Wiper Ring*
8	O-Ring*
9	Guide
10	O-Ring*
11	Polypak*
12	Locknut
13	Body
14	Pin
15	Coupling

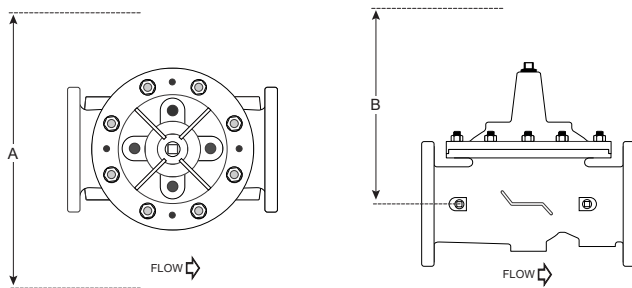
*Included in Repair Kit



Installation

1. Clear the line free of slag and other debris.
2. Install the valve so that the FLOW ARROW marked on the valve body/tag corresponds to flow through the line.
3. Close upstream and downstream isolation valves.
4. Open the isolation ball valves in the control tubing if so equipped. Failure to open these will prevent the valve from functioning properly.
5. Install pressure gauges at locations upstream and downstream of the valve.

Valve Servicing Dimensions



The following tables detail the recommended minimum valve servicing dimensions.

Globe

Size (in)	20		24	
	<i>in.</i>	<i>cm.</i>	<i>in.</i>	<i>cm.</i>
A (in)	82	209	82	209
B (in)	48	209	82	209

Limited Warranty: Watts Regulator Co. (the "Company") warrants each product to be free from defects in material and workmanship under normal usage for a period of one year from the date of original shipment. In the event of such defects within the warranty period, the Company will, at its option, replace or recondition the product without charge.

THE WARRANTY SET FORTH HEREIN IS GIVEN EXPRESSLY AND IS THE ONLY WARRANTY GIVEN BY THE COMPANY WITH RESPECT TO THE PRODUCT. THE COMPANY MAKES NO OTHER WARRANTIES, EXPRESS OR IMPLIED. THE COMPANY HEREBY SPECIFICALLY DISCLAIMS ALL OTHER WARRANTIES, EXPRESS OR IMPLIED, INCLUDING BUT NOT LIMITED TO THE IMPLIED WARRANTIES OF MERCHANTABILITY AND FITNESS FOR A PARTICULAR PURPOSE.

The remedy described in the first paragraph of this warranty shall constitute the sole and exclusive remedy for breach of warranty, and the Company shall not be responsible for any incidental, special or consequential damages, including without limitation, lost profits or the cost of repairing or replacing other property which is damaged if this product does not work properly, other costs resulting from labor charges, delays, vandalism, negligence, fouling caused by foreign material, damage from adverse water conditions, chemical, or any other circumstances over which the Company has no control. This warranty shall be invalidated by any abuse, misuse, misapplication, improper installation or improper maintenance or alteration of the product.

Some States do not allow limitations on how long an implied warranty lasts, and some States do not allow the exclusion or limitation of incidental or consequential damages. Therefore the above limitations may not apply to you. This Limited Warranty gives you specific legal rights, and you may have other rights that vary from State to State. You should consult applicable state laws to determine your rights. **SO FAR AS IS CONSISTENT WITH APPLICABLE STATE LAW, ANY IMPLIED WARRANTIES THAT MAY NOT BE DISCLAIMED, INCLUDING THE IMPLIED WARRANTIES OF MERCHANTABILITY AND FITNESS FOR A PARTICULAR PURPOSE, ARE LIMITED IN DURATION TO ONE YEAR FROM THE DATE OF ORIGINAL SHIPMENT.**



USA: T: (978) 689-6066 • F: (978) 975-8350 • Watts.com

Canada: T: (888) 208-8927 • F: (905) 481-2316 • Watts.ca

Latin America: T: (52) 55-4122-0138 • Watts.com