

# Installation Instructions

## QTK5 & QTK7 QuickTurn™

### Closet Carrier

500 lb. Carriers - QTK5-101 (Bowl Height Set at 5 1/2")  
QTK7-101 (Bowl Height Set at 7 1/2")

Pat. No. 10,895.070



#### **⚠ WARNING**



**THINK  
SAFETY  
FIRST**

Read Manual **BEFORE** using this equipment.

Failure to read and follow all safety and use information can result in death, serious personal injury, property damage, or damage to the equipment. Keep this Manual for future reference.

#### **⚠ WARNING**

Local building or plumbing codes may require modifications to the information provided. You are required to consult the local building and plumbing codes prior to installation. If the information provided here is not consistent with local building or plumbing codes, the local codes should be followed. This product must be installed by a licensed contractor in accordance with local codes and ordinances.

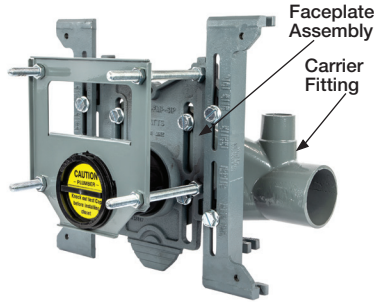
#### **NOTICE**

Follow the guidelines listed here for proper installation, operation, and maintenance.

**WATTS®**

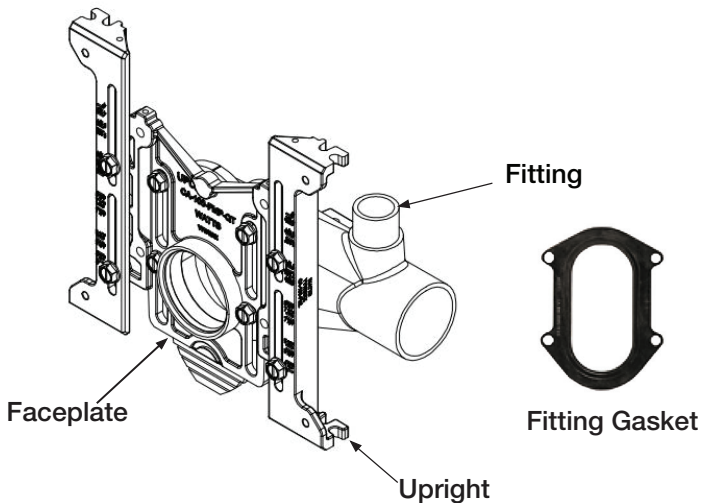
## Packaging

QT QuickTurn™ Water Closet Carriers typically ship in two components. (1) Partially assembled Faceplate Assembly and (1) Fitting (L/R or D). The carrier faceplate assembly anchors to the floor and supports the bowl. The carrier fitting attaches to the rear of the faceplate assembly, and connects to the sanitary piping system.



## Carrier Installation

- 1.) After removing the faceplate assembly from its packaging, make sure the o-ring is inside the groove of the faceplate. Locate the rough-in dimensions for the fixture outlet centerline from the floor on the bowl manufacturer's rough-in sheet. All Watts carriers will be preset to either 5-1/2" (standard height w/QTK5's) or 7-1/2" (ADA height w/QTK7's) based off which configuration is ordered. For low rough-ins, the rounded bottom of the faceplate may need to be removed along the scoring line.
- 2.) Attach each carrier upright to a concrete floor with a minimum of one 1/2" diameter anchor bolt (supplied by others).
- 3.) Position the oval fitting gasket between the faceplate and the fitting, with the gasket lip facing back towards the fitting. Making sure the oval gasket is properly seated, loosely attach the faceplate assembly to the carrier fitting through the gasket ears with four 1/2" flanged hex bolts (supplied).

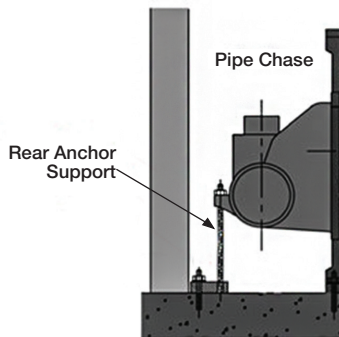


- 4.) Adjust the carrier fitting to the desired height before tightening the fitting to the faceplate. Reference Battery Pitch and Rough-in Requirements to determine the minimum and maximum fitting centerline heights to configure horizontal carrier batteries.

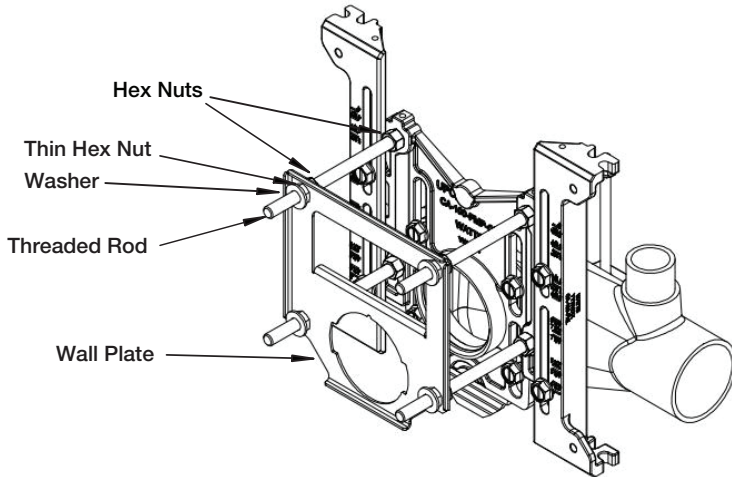
### Battery Pitch & Rough-In Requirements

C/Bowl Outlet from Floor	Min. C/L Horiz. Waste from Floor	Max. C/L Horiz. Waste from Floor
4 1/2"(115)	3"(76)	4 1/2"(115)
5"(127)	3"(76)	5"(127)
5 1/2"(140)	3"(76)	5 1/2"(140)
6"(152)	3"(76)	6"(152)
6 1/2"(165)	3 1/4"(82)	6 1/2"(165)
7"(178)	3 5/8"(92)	7"(178)
7 1/2"(191)	4 1/8"(105)	7 1/2"(191)
8"(203)	4 5/8"(118)	8"(203)
8 1/2"(216)	5"(127)	8 1/2"(216)
9"(229)	5 3/8"(137)	9"(229)
9 3/8"(239)	5 3/4"(146)	9 3/8"(239)

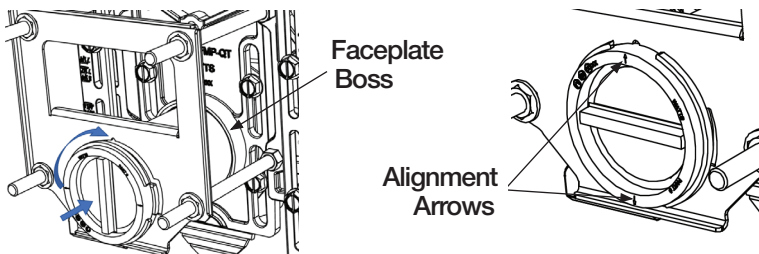
- 5.) Once the faceplate and fitting heights are set, ensure the four upright bolts and four fitting bolts are securely tightened.
- 6.) Secure the rear anchor support rod through the boss on the back of the carrier fitting with two hex nuts and washers (supplied) and adjust the height. Attach the anchor foot to a concrete floor using a 1/2" dia. anchor bolt (supplied by others)



- 7.) Thread (4) threaded rods (supplied) into faceplate with a hex nut (supplied) on each rod at the faceplate, left loose to tighten later after adjustment. Thread (4) hex nuts (supplied) onto each rod approximately 1/2" past finished wall depth. Slide wall plate over thread rods and secure with (4) thin hex nuts (supplied). Place (4) washers (supplied) on last as the toilet will mount against these.



- 8.) Adjust the wall plate depth, ensuring the front edge is flush with the finished wall. The wall plate must be positioned flush with the finished wall for the nipple to seat at the correct depth.
- 9.) Determine the nipple length required as follows:

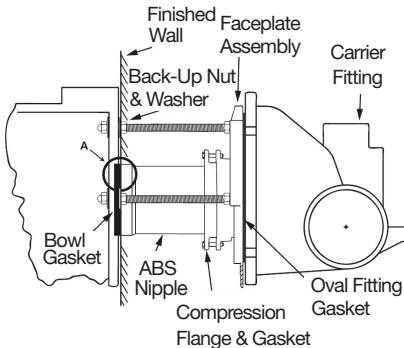


- Measure from the finished wall to the front edge of faceplate boss.
- Add approximately 1"(3/4" min. - 1 3/8" max.) to the measured dimension, and cut the open end of the nipple to the calculated dimension. For example, if the finished wall to faceplate boss measurement is 6", cut the nipple to a length of approximately 7".
- De-burr and remove any sharp edges from the inside and outside of the cut nipple.
- Apply petroleum jelly to lubricate the O-ring inside the faceplate boss. Align the tabs on the nipple with the notches on the wall plate, and install the nipple from the front.

e) Using the crossbar on the front of the nipple, lock the nipple in place by rotating it 1/4 turn in either direction. The arrows on the nipple will be vertical when the nipple is properly positioned.

**Note:** Carrier nipples may be extended up to 4" for wide chase applications. Beyond 4", an auxiliary support option QT-100-EXT is required. QT-100-EXT ships with a 24" nipple which can be cut to length. Extended 5/8" all thread rods are furnished by the installing contractor.

10.) Adjust the carrier mounting studs to extend approximately 2 1/4"(57) beyond the finished wall. Adjust the back-up nuts flush with the finished wall, with the back-up washers outside the wall. When properly positioned, the back-up washers create a 1/16"(2) gap between the back of the bowl and the face of the finished wall.



Bowl Gasket

- 11.) Following the system pressure test and prior to setting the bowl, knock out the nipple test cap with a hammer. Make sure any sharp edges or burrs inside the nipple resulting from the knockout are removed so the waterway is unobstructed.
- 12.) Remove the adhesive backing from both sides of the bowl gasket. Adhere the gasket to the back of the bowl, centered around the bowl outlet. Install the bowl onto the carrier, making sure the bowl gasket is properly seated against the nipple.
- 13.) Install the four chrome cap nuts and plastic washers to secure the bowl.

**Note:** It is common industry practice for three cap nuts to be fully tightened, and the fourth left hand tight. This reduces potential stress that can cause the bowl to crack under heavy loading.

## **⚠ WARNING**

Need for Periodic Inspection/Maintenance: This product must be tested periodically in compliance with local codes, but at least once per year or more as service conditions warrant. All products must be retested once maintenance has been performed. Corrosive water conditions and/or unauthorized adjustments or repair could render the product ineffective for the service intended. Regular checking and cleaning of the product's internal and external components helps assure maximum life and proper product function.

## **NOTICE**

Inquire with governing authorities for local installation requirements

**Limited Warranty:** Watts Regulator CO. (the "Company") warrants each product to be free from defects in material and workmanship under normal usage for a period of one year from the date of original shipment. In the event of such defects within the warranty period, the Company will, at its option, replace or recondition the product without charge.

**THE WARRANTY SET FORTH HEREIN IS GIVEN EXPRESSLY AND IS THE ONLY WARRANTY GIVEN BY THE COMPANY WITH RESPECT TO THE PRODUCT. THE COMPANY MAKES NO OTHER WARRANTIES, EXPRESS OR IMPLIED. THE COMPANY HEREBY SPECIFICALLY DISCLAIMS ALL OTHER WARRANTIES, EXPRESS OR IMPLIED, INCLUDING BUT NOT LIMITED TO THE IMPLIED WARRANTIES OF MERCHANTABILITY AND FITNESS FOR A PARTICULAR PURPOSE.**

The remedy described in the first paragraph of this warranty shall constitute the sole and exclusive remedy for breach of warranty, and the Company shall not be responsible for any incidental, special or consequential damages, including without limitation, lost profits or the cost of repairing or replacing other property which is damaged if this product does not work properly, other costs resulting from labor charges, delays, vandalism, negligence, fouling caused by foreign material, damage from adverse water conditions, chemical, or any other circumstances over which the Company has no control. This warranty shall be invalidated by any abuse, misuse, misapplication, improper installation or improper maintenance or alteration of the product.

Some States do not allow limitations on how long an implied warranty lasts, and some States do not allow the exclusion or limitation of incidental or consequential damages. Therefore the above limitations may not apply to you. This Limited Warranty gives you specific legal rights, and you may have other rights that vary from State to State. You should consult applicable state laws to determine your rights. **SO FAR AS IS CONSISTENT WITH APPLICABLE STATE LAW, ANY IMPLIED WARRANTIES THAT MAY NOT BE DISCLAIMED, INCLUDING THE IMPLIED WARRANTIES OF MERCHANTABILITY AND FITNESS FOR A PARTICULAR PURPOSE, ARE LIMITED IN DURATION TO ONE YEAR FROM THE DATE OF ORIGINAL SHIPMENT.**



**USA:** T: (800) 338-2581 • F: (828) 248-3929 • Watts.com

**Canada:** T: (888) 208-8927 • F: (888) 479-2887 • Watts.ca

**Latin America:** T: (52) 55-4122-0138 • Watts.com