

Engineering Specification

Job Name _____
 Job Location _____
 Engineer _____
 Approval _____
 Tag _____

Contractor _____
 Approval _____
 Contractor's P.O. No. _____
 Representative _____

QTK7-101-D QT QuickTurn™ Double Horizontal Adjustable Closet Carrier, Partially Assembled Specification

Pat. No. 10,895,070

Watts QTK7-101-D QuickTurn™ double horizontal adjustable water closet carrier with 4" (102) No Hub epoxy coated cast iron fitting, Integral 2" (51) vent connections, labor saving partially assembled faceplate, pre-set to a 7-1/2" rough-in and epoxy coated cast iron feet with incremental height markings, 4" (102) adjustable ABS nipple with integral test cap, fabricated steel tiling plate, neoprene compression gasket and chrome plated hardware. Carrier complies with the requirements of ASME A112.6.1M up to a 500 lb. (227 kg) static load.

Options		
Suffix	Description	
-3	3" No Hub Fitting	<input type="checkbox"/>
-36	36" Long Barrel Fitting	<input type="checkbox"/>
QT-100-EXT	Aux. Support System w/ Extended Nipple	<input type="checkbox"/>
-HS	Hub & Spigot Connections	<input type="checkbox"/>
-M1	ABS 24" Extended Nipple	<input type="checkbox"/>
-CA-N8-50-QT	8" Cast Iron Nipple	<input type="checkbox"/>
-CA-N24-50-QT	24" Cast Iron Nipple	<input type="checkbox"/>



7 1/2" Pre-Set Faceplate Assembly Kit

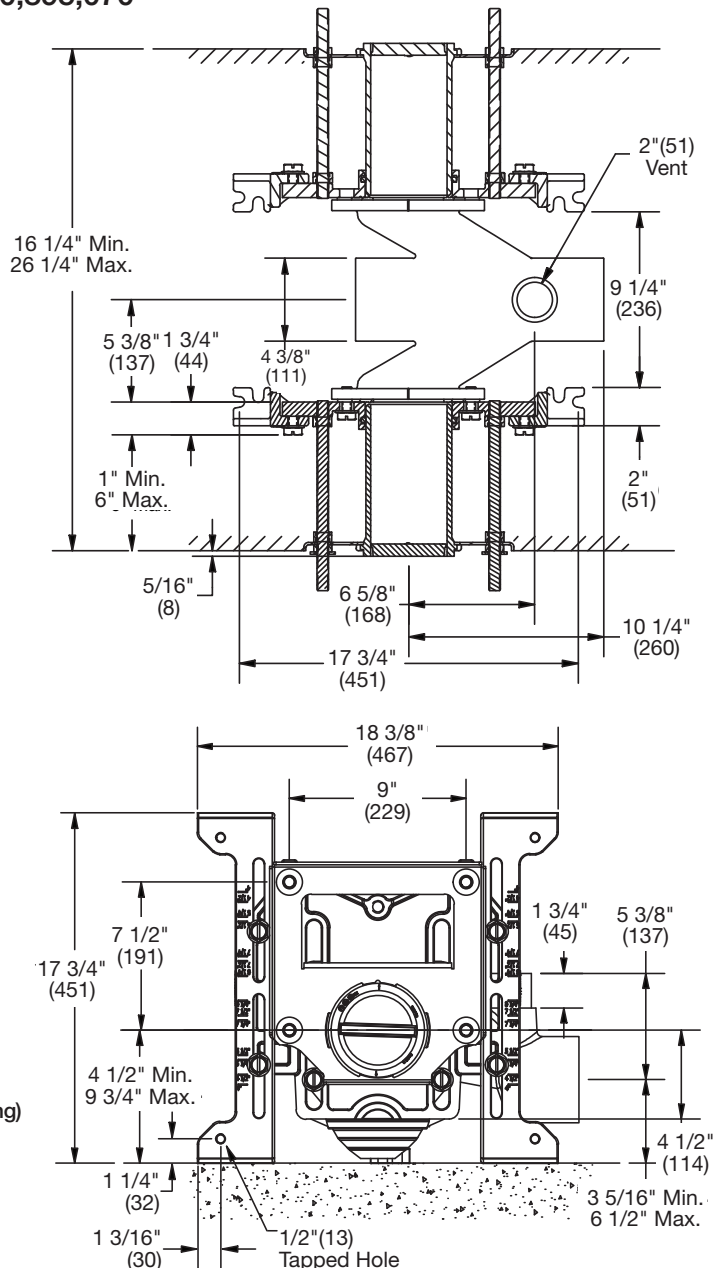


Shown Fully Assembled (Includes 2 Kits & Required Fitting)

NOTICE

The information contained herein is not intended to replace the full product installation and safety information available or the experience of a trained product installer. You are required to thoroughly read all installation instructions and product safety information before beginning the installation of this product.

Watts product specifications in U.S. customary units and metric are approximate and are provided for reference only. For precise measurements, please contact Watts Technical Service. Watts reserves the right to change or modify product design, construction, specifications, or materials without prior notice and without incurring any obligation to make such changes and modifications on Watts products previously or subsequently sold.



USA: T: (800) 338-2581 • F: (828) 248-3929 • Watts.com

Canada: T: (888) 208-8927 • F: (888) 479-2887 • Watts.ca

Latin America: T: (52) 55-4122-0138 • Watts.com

ES-WD-QTK7-101-D 2219

© 2022 Watts