

Job Name _____
 Job Location _____
 Engineer _____
 Approval _____

Contractor _____
 Approval _____
 Contractor's P.O. No. _____
 Representative _____

Thermometer

Part No. 894-3897, 894-3924, 894-3709, 894-3928

Specifications

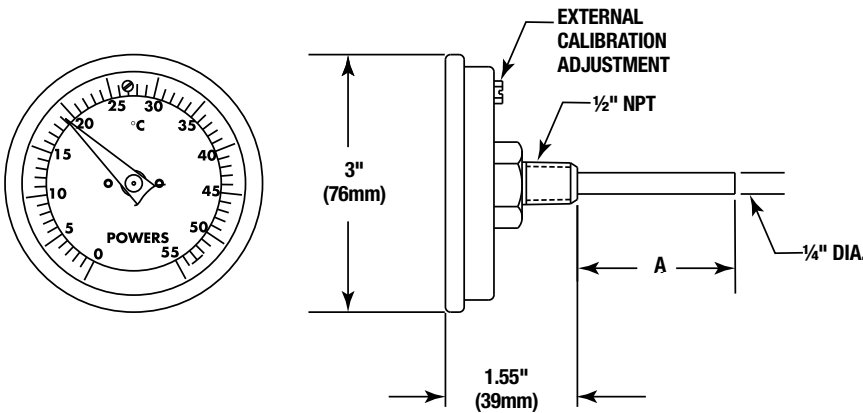
Description Thermometer
 (See below for Model Description)

Material Stainless Steel

Shipping Weight 894-3709 — 0.5 lb (0.2 kg)
 894-3897 — 0.5 lb (0.2 kg)
 894-3924 — 0.5 lb (0.2 kg)
 894-3928 — 0.5 lb (0.2 kg)



Dimensions



Indicate Desired Fitting

3	Part Number	Model Description	Range	"A"
<input type="checkbox"/>	894-3709	Thermometer, 3-Color Dial	0°F–200°F (-20°C–90°C)	1.06" (27mm)
<input type="checkbox"/>	894-3897	Thermometer, Black Dial	30°F–130°F	1.80" (46mm)
<input type="checkbox"/>	894-3924	Thermometer, Black Dial	0°C–55°C	1.85" (47mm)
<input type="checkbox"/>	894-3928	Thermometer, 3-Color Dial	0°F–200°F (-20°C–90°C)	1.80" (46mm)

Powers product specifications in U.S. customary units and metric are approximate and are provided for reference only. For precise measurements, please contact Powers Technical Service. Powers reserves the right to change or modify product design, construction, specifications, or materials without prior notice and without incurring any obligation to make such changes and modifications on Powers products previously or subsequently sold.

USA: Tel: (800) 669-5430 • Fax: (847) 229-0526 • PowersControls.com
 Canada: Tel: (905) 332-4090 • Fax: (905) 332-7068 • PowersControls.ca
 Latin America: Tel: (52) 81-1001-8600 • PowersControls.com

POWERS™

A WATTS Brand