

Job Name _____

Contractor _____

Job Location _____

Approval _____

Engineer _____

Contractor's P.O. No. _____

Approval _____

Representative _____

LEAD FREE*

Showerhead

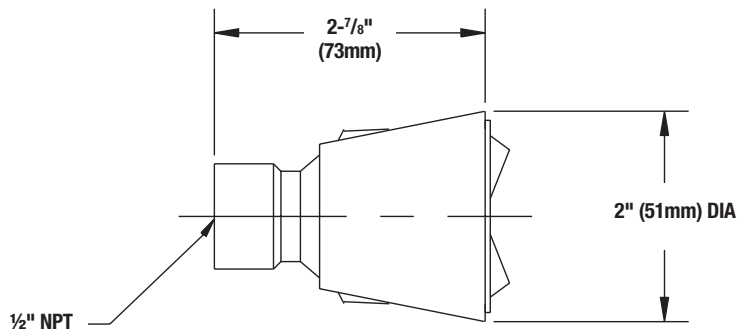
Part No. 141-371

Specifications

Description	Ball Joint Economizer Showerhead, "Type J"
Material	ABS
Finish	Polished Chrome
Agency/Spec Approval	ANSI A112.18.1M CSA B125
Maximum Flow	2.5 gpm @ 80 psi (9.5 l/min @ 550 kPa)
Shipping Weight	0.5 lb (0.2 kg)



Dimensions



* The wetted surface of this product contacted by consumable water contains less than one quarter of one percent (0.25%) of lead by weight.

Powers product specifications in U.S. customary units and metric are approximate and are provided for reference only. For precise measurements, please contact Powers Technical Service. Powers reserves the right to change or modify product design, construction, specifications, or materials without prior notice and without incurring any obligation to make such changes and modifications on Powers products previously or subsequently sold.

USA: Tel: (800) 669-5430 • Fax: (847) 229-0526 • PowersControls.com
Canada: Tel: (905) 332-4090 • Fax: (905) 332-7068 • PowersControls.ca
Latin America: Tel: (52) 81-1001-8600 • PowersControls.com

POWERS™

A WATTS Brand