

More Than A Retrofit-Spool It's A Solution!

The fast, versatile approach for efficiently replacing a backflow preventer



Working with Ames

Configure a backflow preventer replacement tailored specifically to your job requirements.

- Unique outside-the-shutoff valve design offers a wide choice of configuration options
- Configuration not limited by inside-the-shutoff valve and approvals
 - Custom spool produced with optional connections, flush ports, branches, or tees
 - Spool constructed using stainless steel pipe for corrosion resistance
- Order easily — configure a backflow retrofit solution in a few simple steps
 - Built to order — ships fully assembled or as parts
 - Most orders ship within 48 hours

Custom backflow/spool combo program

Job Name: _____
 Customer: _____
 Contact: _____
 Phone: _____ Fax: _____
 Rep: _____

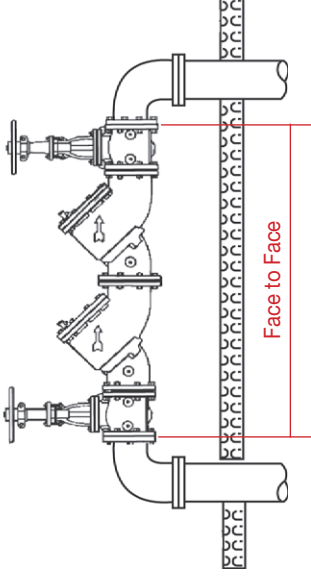
> CONFIGURATOR <

Required - Provide Field Measurement: Face to Face

Measurement= _____

Manufacturer/model being replaced= _____

Flow direction>



Customers: send order to your local rep
 Rep Agency: Email Order Form and PO to Backflowspoolcombo@wattswater.com
 Subject Line:
 Custom backflow/spool combo program

1

Required	Optional	Required	Required	Required	Default Spool Location
Size <input type="checkbox"/> 2-1/2" <input type="checkbox"/> 3" <input type="checkbox"/> 4" <input type="checkbox"/> 6" <input type="checkbox"/> 8" <input type="checkbox"/> 10"	Inlet Spool <input type="checkbox"/> Yes <input type="checkbox"/> No	#1 Shut Off <input type="checkbox"/> NRS <input type="checkbox"/> OSY <input type="checkbox"/> Butterfly <input type="checkbox"/> PIV <input type="checkbox"/> NRS (domestic)	Backflow Preventer <input type="checkbox"/> C200 (Lead Free Standard) <input type="checkbox"/> M200 (Lead Free Standard) <input type="checkbox"/> LFC300 (LF=Lead Free) <input type="checkbox"/> LFM300 (LF=Lead Free) <input type="checkbox"/> C400 (Lead Free Standard) <input type="checkbox"/> M400 (Lead Free Standard) <input type="checkbox"/> LFC500 (LF=Lead Free) <input type="checkbox"/> LFM500 (LF=Lead Free) (200/400 series are lead free standard)	#2 Shut Off <input type="checkbox"/> NRS <input type="checkbox"/> OSY <input type="checkbox"/> Butterfly <input type="checkbox"/> PIV <input type="checkbox"/> NRS (domestic)	Outlet Spool* <input type="checkbox"/> Yes <input type="checkbox"/> No

Need By Date:

Ships in 24-48 hours

All assemblies are built to customer specifications and are considered custom valve assemblies. Orders once submitted will be considered non-cancellable and non-returnable. Below signature verifies field dimensions and all other options specified in this document. If you have any questions prior to the order placement please do not hesitate to contact your local representative or customer service department.

If two spools requested, give length of both:

<input type="checkbox"/> Inlet Spool Length	<input type="checkbox"/> Outlet Spool Length
<input type="checkbox"/> Both Spools Same Length	

Detector Meter Type

GPM
 CFM
 Less Meter

Signature Verifying Field Measurement:

Date

Required - Entered by Rep

SO# _____



A WATTS Brand

USA: Backflow T: (978) 639-6066 • F: (978) 975-8350 • AmesFireWater.com
 USA: Control Valves T: (713) 943-0688 • F: (713) 944-9445 • AmesFireWater.com
 Canada: T: (905) 332-4090 • F: (905) 332-7068 • AmesFireWater.ca
 Latin America: T: (52) 55-4122-0138 • AmesFireWater.com