

For Non-Health Hazard Applications

Job Name _____

Contractor _____

Job Location _____

Approval _____

Engineer _____

Contractor's P.O. No. _____

Approval _____

Representative _____

LEAD FREE*

Spool Adapters

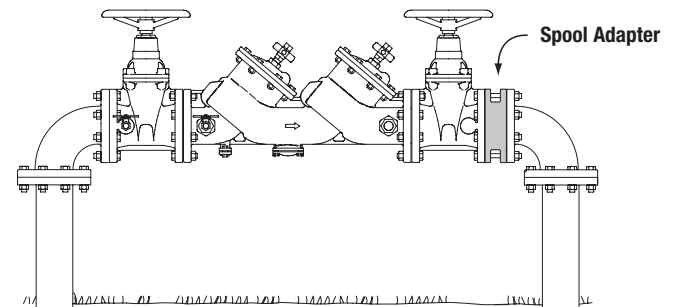
DuraCheck to MasterSeries® Spacer Spool Adapter Kit

Size: 4" - 8" (100mm - 200mm)

The FEBCO DuraCheck to MasterSeries® Spacer Spool Adapters ease retrofit of the old style in-line FEBCO DuraCheck backflow preventers (Models 825YD, 805YD and 806YD in 4" – 8" (100mm - 200mm) with the new style in-line FEBCO MasterSeries® (Models 850/LF850, 860/LF860, and 856/856ST in 4" – 8" (100mm - 200mm). This kit eliminates the need for expensive custom fabricated spools and provides a quick and easy way to retrofit the valve. The adapter kit comes complete with the proper length spool, gasket, nuts, and studs to retrofit the longer DuraCheck Valves with the shorter in-line MasterSeries®. See the retrofit chart below. The gasket is to be used between the backflow preventer and the spool adapter. MasterSeries® 2½" and 3" (65, 80mm) units do not require a spacer spool adapter to retrofit.

Features

- Easy retrofit
- Epoxy coated body
- Adapter Kit Includes: Spool, Gasket, Nuts and Studs
- End Details – Flanged ANSI B16.42, Class 150



Pressure – Temperature

Maximum Working Pressure: 175psi (12.1 bar)

Hydrostatic Test Press: 350psi (24.1 bar)

Temperature Range: 33°F to 140°F (0.5°C to 60°C)

Materials

Main Valve Body: Carbon Steel or Ductile Iron (ANSI B16.1)

Coating: Epoxy coated internal and external, AWWA C550

Elastomers: Gaskets

Trim: Hex Nuts & Studs - plated steel

DuraCheck to MasterSeries® Spool Adapter Kits

RETROFIT PART NUMBER CHART

Type of Device	DuraCheck	MasterSeries	Spool Adapter 4" (100mm)	Spool Adapter 6" (150mm)	Spool Adapter 8" (200mm)
Double Check	Model 805YD	Model 850/LF850	905523	905524	905525
Double Check Detector	Model 806YD	Model 856/856ST/LF856	905523	905524	905525
Reduced Pressure	Model 825YD	Model 860/LF860	905523	905524	905525

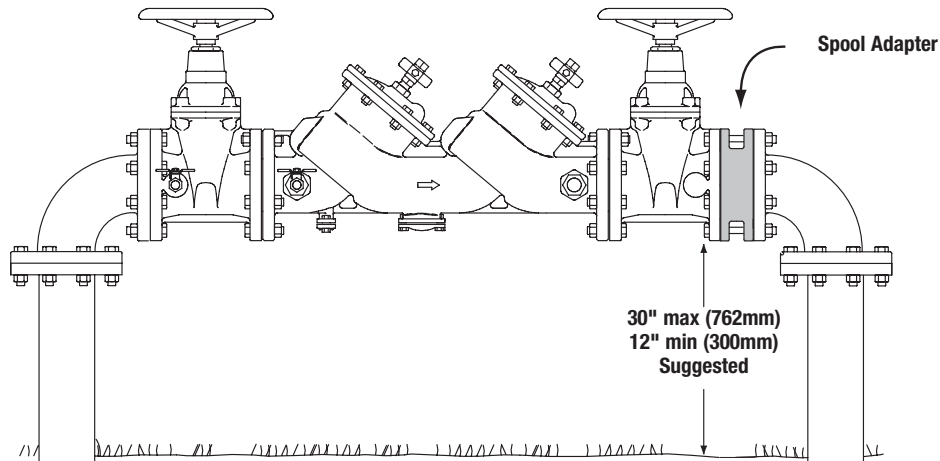
FEBCO product specifications in U.S. customary units and metric are approximate and are provided for reference only. For precise measurements, please contact FEBCO Technical Service. FEBCO reserves the right to change or modify product design, construction, specifications, or materials without prior notice and without incurring any obligation to make such changes and modifications on FEBCO products previously or subsequently sold.



A WATTS Brand

Typical Installation

FEBCO Model 850/LF850 With Spool Adapter Outdoor Installation

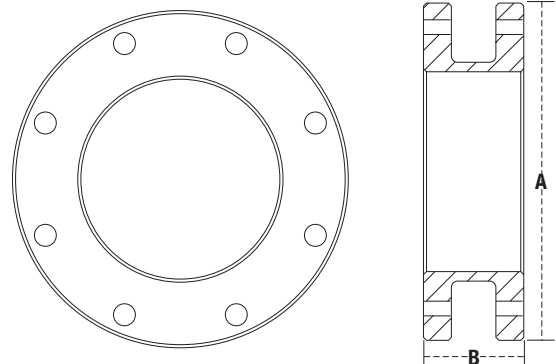


Dimensions – Weights

Size: 4" - 8" (65 - 100mm)

SIZE (DN)		DIMENSIONS				WEIGHT	
		A		B			
<i>in.</i>	<i>mm</i>	<i>in.</i>	<i>mm</i>	<i>in.</i>	<i>mm</i>	<i>lbs.</i>	<i>kgs.</i>
4	65	9	229	4	102	35	15.9
6	80	11	279	3 ¹⁵ / ₁₆	90	48	21.8
8	100	13 ¹ / ₂	343	4	102	75	34.0

Weights shown are approximate. Dimensions are nominal. Allowances must be made for normal manufacturing tolerances.



Flange and bolt holes
per ANSI B16.42, Class 150



A WATTS Brand

USA: Tel: (800) 767-1234 • Fax: (800) 788-4491 • FEBCOonline.com
 Canada: Tel: (905) 332-4090 • Fax: (905) 332-7068 • FEBCOonline.ca
 Latin America: (52) 81-1001-8600 • Fax: (52) 81-8000-7091 • FEBCOonline.com