

## For Non-Health Hazard Applications

Job Name \_\_\_\_\_

Contractor \_\_\_\_\_

Job Location \_\_\_\_\_

Approval \_\_\_\_\_

Engineer \_\_\_\_\_

Contractor's P.O. No. \_\_\_\_\_

Approval \_\_\_\_\_

Representative \_\_\_\_\_

# LEAD FREE\*

## Series 406

### Detector Check for Automatic Fire Sprinkler Systems

Size: 2" (50mm)

The FEBCO Series 406 Detector Check is designed for automatic fire sprinkler systems.

#### Features

- Meter detects leakage and/or theft of water from Automatic Fire Sprinkler Systems
- Can be installed horizontally or vertically (up or down)
- Center-stem-guided, spring-loaded check for more positive seating
- Replaceable bronze seat ring
- Reversible seat disc for ease of service
- Bronze body and cover
- End Detail – 2 Bolt Meter Flange

#### Operation

In a non-flowing condition, the mainline check and by-pass check are closed and the meter is stopped. When water begins to flow, the by-pass check opens and the meter begins to register. When the pressure drop across the valve approximates 1.5psi (10.3 kPa), the mainline check opens and allows full flow of water. The by-pass meter and check remain operating and open at all flow rates.

#### Specifications

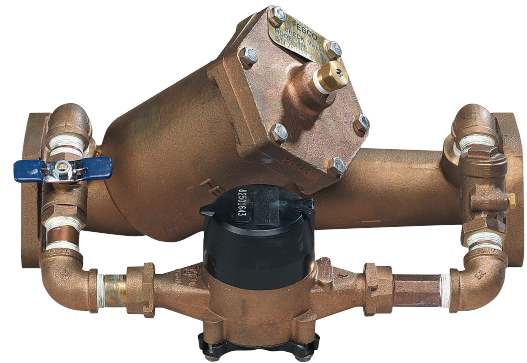
The Detector Check 2" (50mm) mainline valve shall consist of an internally spring loaded "Y" pattern check valve having a bronze body, bronze replaceable bushing in the cover, a bronze replaceable seat ring, stainless steel spring and delrin disc holder to insure positive check seating.

The bypass line shall consist of a ¾" (20mm) IPS shut-off valve, bronze totalizing water meter and a bronze single check valve in series. The unit is also available without bypass.

The assembly shall be rated to 175psi working pressure and water temperatures from 32°F to 110°F (0°C to 43°C).

#### NOTICE

Inquire with governing authorities for local installation requirements



406

#### Pressure – Temperature

Sizes:	Mainline: 2" (50mm) By-pass: ¾" (20mm) IPS
Maximum Working Pressure:	175psi (12.1 bar)
Hydrostatic Test Pressure:	350psi (24.1 bar)
Temperature Range:	32°F to 110°F (0°C - 43°C)

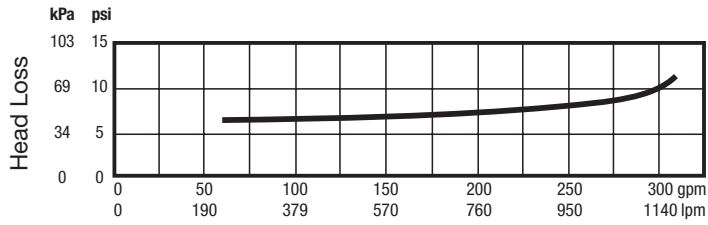
#### Materials

Main Valve Body:	Bronze
Seat Ring:	Bronze
Disc Holder:	Delrin
Spring:	Stainless Steel
By-pass Meter:	Bronze Totalizing Water Meter Optional (gpm or cfm)

#### ⚠ WARNING

It is illegal to use this product in any plumbing system providing water for human consumption, such as drinking or dishwashing, in the United States. Before installing standard material product, consult your local water authority, building and plumbing codes.

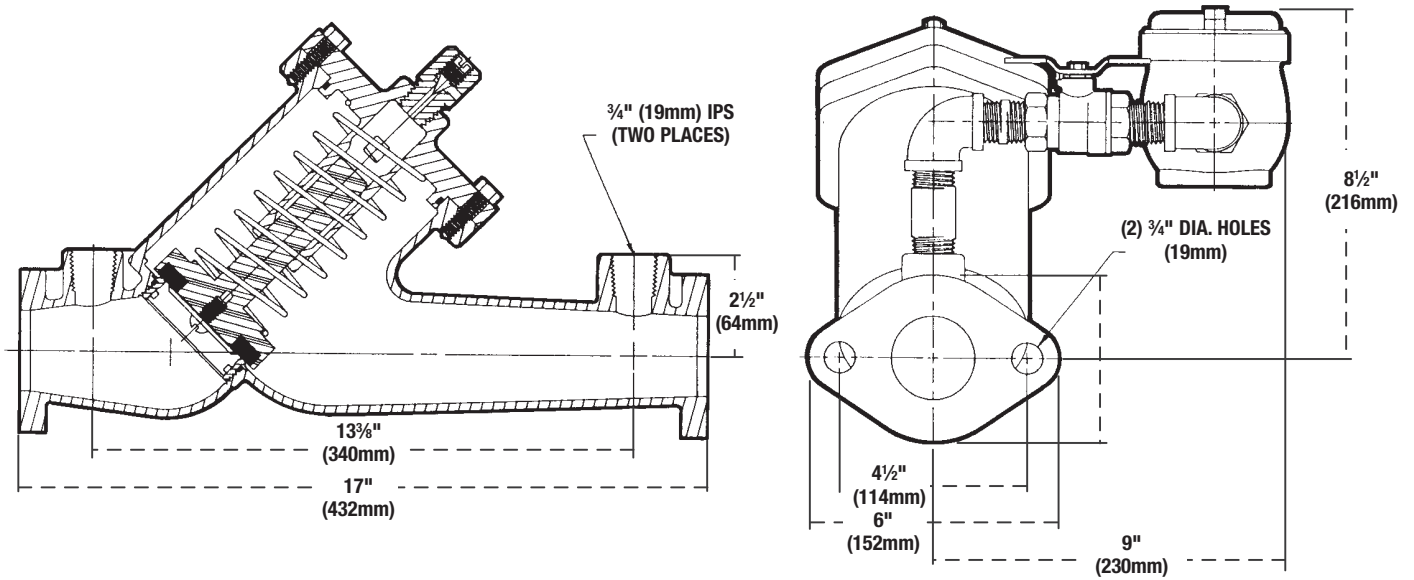
## Capacity



### NOTE:

Velocities are calculated for flows in Schedule 40 steel pipe.

## Dimensions



A WATTS Brand

USA: Tel: (800) 767-1234 • Fax: (800) 788-4491 • FEBCOonline.com  
 Canada: Tel: (905) 332-4090 • Fax: (905) 332-7068 • FEBCOonline.ca  
 Latin America: (52) 81-1001-8600 • Fax: (52) 81-8000-7091 • FEBCOonline.com