

Engineering Specification

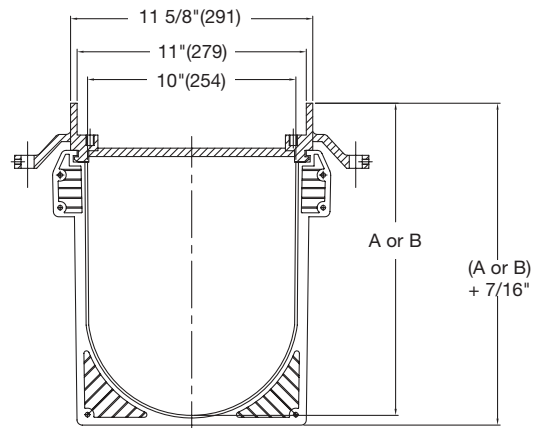
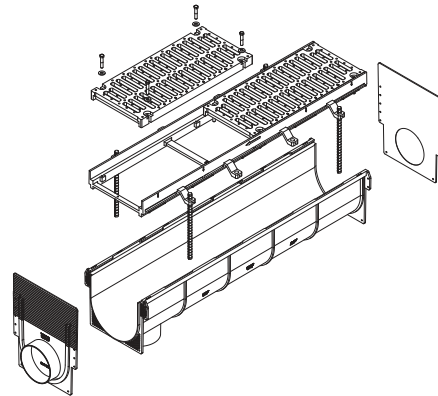
Job Name _____
 Job Location _____
 Engineer _____
 Approval _____
 Tag _____

Contractor _____
 Approval _____
 Contractor's P.O. No. _____
 Representative _____

Dead Level® DX Pre-Sloped Polypropylene Trench Drain System with Ductile Iron Frame

Specification

Watts Dead Level® DX Pre-Sloped Trench Drain System with 12"(305) wide x 48"(1219) long (standard) ductile iron frame, UV stabilized talc-filled polypropylene channels with 6"(152) no hub bottom or end outlet(s). System shall be frame-anchored, with (specify) grating to suit DIN Class (specify) load rating. System to include frame connectors, grate lockdowns, and construction covers. Installation to be performed in accordance with manufacturer's installation instructions.



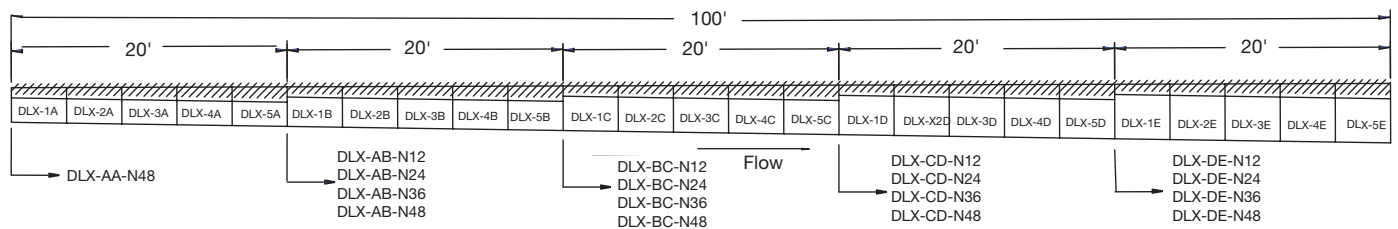
Grate Options		
Suffix	Description	Load Class
-DI	Ductile Iron	Class F <input type="checkbox"/>
-DI-ADA	Ductile Iron ADA	Class F <input type="checkbox"/>
-GDI	Galvanized Ductile Iron	Class F <input type="checkbox"/>
-RGP	Reinforced Galvanized Perforated	Class E <input type="checkbox"/>
-RGS	Reinforced Galvanized Slotted	Class E <input type="checkbox"/>
-RSP	Reinforced Stainless Steel Perforated	Class E <input type="checkbox"/>
-RSS	Reinforced Stainless Steel Slotted	Class E <input type="checkbox"/>
-SCI	Solid Cast Iron	Class F <input type="checkbox"/>

Options		
Suffix	Description	
-B24	24"x24"x24" Catch Basin w/DI Grate	<input type="checkbox"/>
-B24T	24"x24"x24" Catch Basin w/DI Grate & Trash Basket	<input type="checkbox"/>
-B24SS	24"x24"x24" Catch Basin w/SS Grate	<input type="checkbox"/>
-B24SST	24"x24"x24" Catch Basin w/SS Grate & Trash Basket	<input type="checkbox"/>
-FG	Galvanized Steel Frame Guard	<input type="checkbox"/>
-FS	Stainless Steel Frame Guard	<input type="checkbox"/>
-OS	Outlet Strainer	<input type="checkbox"/>
-VP	Vandal Proof Grate Lockdowns	<input type="checkbox"/>

Please refer to watts.com for BAA information on specific models.

NOTICE

The information contained herein is not intended to replace the full product installation and safety information available or the experience of a trained product installer. You are required to thoroughly read all installation instructions and product safety information before beginning the installation of this product.



Watts product specifications in U.S. customary units and metric are approximate and are provided for reference only. For precise measurements, please contact Watts Technical Service. Watts reserves the right to change or modify product design, construction, specifications, or materials without prior notice and without incurring any obligation to make such changes and modifications on Watts products previously or subsequently sold.



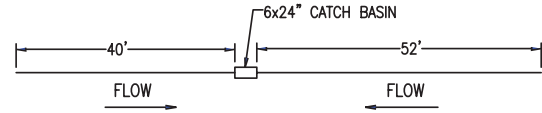
Dead Level® DX Dimensional Data

Part #	Configuration	Length	Weight (lbs)	Dim. A	Dim. B
DLX-AA-N48	Neutral	48" (1219)	37	8-3/4"(222)	8-3/4"(222)
DLX-1A	Sloped	48" (1219)	39	8-3/4"(222)	9-1/16"(230)
DLX-2A	Sloped	48" (1219)	44	9-1/16"(230)	9-3/8"(238)
DLX-3A	Sloped	48" (1219)	47	9-3/8"(238)	9-11/16"(246)
DLX-4A	Sloped	48" (1219)	49	9-11/16"(246)	10"(254)
DLX-5A	Sloped	48" (1219)	54	10"(254)	10-5/16"(262)
DLX-AB-N12	Neutral	12" (305)	10	10-5/16"(262)	10-5/16"(262)
DLX-AB-N24	Neutral	24" (610)	19	10-5/16"(262)	10-5/16"(262)
DLX-AB-N36	Neutral	36" (914)	28	10-5/16"(262)	10-5/16"(262)
DLX-AB-N48	Neutral	48" (1219)	37	10-5/16"(262)	10-5/16"(262)
DLX-1B	Sloped	48" (1219)	40	10-5/16"(262)	10-5/8"(270)
DLX-2B	Sloped	48" (1219)	45	10-5/8"(270)	10-15/16"(278)
DLX-3B	Sloped	48" (1219)	48	10-15/16"(278)	11-1/4"(286)
DLX-4B	Sloped	48" (1219)	50	11-1/4"(286)	11-9/16"(294)
DLX-5B	Sloped	48" (1219)	55	11-9/16"(294)	11-7/8"(302)
DLX-BC-N12	Neutral	12" (305)	11	11-7/8"(302)	11-7/8"(302)
DLX-BC-N24	Neutral	24" (610)	21	11-7/8"(302)	11-7/8"(302)
DLX-BC-N36	Neutral	36" (914)	31	11-7/8"(302)	11-7/8"(302)
DLX-BC-N48	Neutral	48" (1219)	45	11-7/8"(302)	11-7/8"(302)
DLX-1C	Sloped	48" (1219)	41	11-7/8"(302)	12-3/16"(310)
DLX-2C	Sloped	48" (1219)	46	12-3/16"(310)	12-1/2"(318)
DLX-3C	Sloped	48" (1219)	49	12-1/2"(318)	12-13/16"(325)
DLX-4C	Sloped	48" (1219)	51	12-13/16"(325)	13-1/8"(333)
DLX-5C	Sloped	48" (1219)	56	13-1/8"(333)	13-7/16"(341)
DLX-CD-N12	Neutral	12" (305)	11	13-7/16"(341)	13-7/16"(341)
DLX-CD-N24	Neutral	24" (610)	21	13-7/16"(341)	13-7/16"(341)
DLX-CD-N36	Neutral	36" (914)	31	13-7/16"(341)	13-7/16"(341)
DLX-CD-N48	Neutral	48" (1219)	45	13-7/16"(341)	13-7/16"(341)
DLX-1D	Sloped	48" (1219)	42	13-7/16"(341)	13-3/4"(349)
DLX-2D	Sloped	48" (1219)	47	13-3/4"(349)	14-1/16"(357)
DLX-3D	Sloped	48" (1219)	50	14-1/16"(357)	14-3/8"(365)
DLX-4D	Sloped	48" (1219)	52	14-3/8"(365)	14-11/16"(373)
DLX-5D	Sloped	48" (1219)	57	14-11/16"(373)	15"(381)
DLX-DE-N48	Neutral	48" (1219)	47	15"(381)	15"(381)
DLX-1E	Sloped	48" (1219)	43	15"(381)	15-5/16"(389)
DLX-2E	Sloped	48" (1219)	48	15-5/16"(389)	15-5/8"(397)
DLX-3E	Sloped	48" (1219)	51	15-5/8"(397)	15-15/16"(405)
DLX-4E	Sloped	48" (1219)	53	15-15/16"(405)	16-1/4"(413)
DLX-5E	Sloped	48" (1219)	58	16-1/4"(413)	16-9/16"(420)

How to Configure & Order Dead Level® Trench System

1. Sketch General Layout

For each separate trench configuration show length(s), position of outlet(s), direction of flow(s), and position of catch basins (if required).



2. Specify Frame

Ductile Iron

Ordering Code

DX

3. Specify Length in Feet

(Do not include Catch Basins)

Numeric

4. Specify Outlet

Straight Run End Outlet

EO

Straight Run Center Outlet

CO

Other Configuration

XO

5. Specify Grating

Ductile Iron

DI

ADA Ductile Iron

DI-ADA

Galvanized Ductile Iron*

GDI

Reinforced Galvanized Steel Slotted

RGS

Reinforced Galvanized Steel Perforated

RGP

Reinforced Stainless Steel Slotted

RSS

Reinforced Stainless Steel Perforated

RSP

Solid Cast Iron*

SCI

6. Specify Catch Basin

(If Required)

24x24x24" Catch Basin

B24

7. Specify Frame Guards

(If Required)

Galvanized Steel

FG

Stainless Steel

FS

8a. Configure Straight Run (EO or CO)

EX. Dx22-EO-RSS-B24-FS

DX = Ductile Iron

22 = Trench Length in Feet

EO = End Outlet

RSS = Reinforced Stainless Steel Slotted Grates

B24 = B24-24x24 Catch Basin

FS = Stainless Steel Frame Guard

8b. Configure Special Run (XO)

EX. DX84-XO-DI-B24

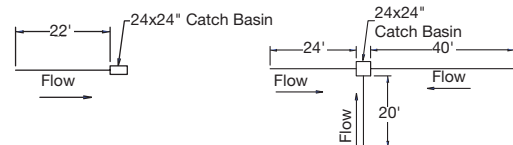
DX = Ductile Iron Frame

84 = Trench Length in Feet

XO = Other Configuration (Provide Sketch or Describe)

DI = Ductile Iron

B24 = 24x24x24" Catch Basin



USA: T: (800) 338-2581 • F: (828) 248-3929 • Watts.com

Canada: T: (888) 208-8927 • F: (888) 479-2887 • Watts.ca

Latin America: T: (52) 55-4122-0138 • Watts.com