

Pre-Plumbed & Skid Mounted Water Softening Solutions

Commercial | Industrial | Institutional | Healthcare



Watts' Series HC-200-PPSM Water Softening Systems

- ✓ Save Time
- ✓ Simplify Installation
- ✓ Flow Rates up to 308 GPM
- ✓ Softened Water Available 24/7

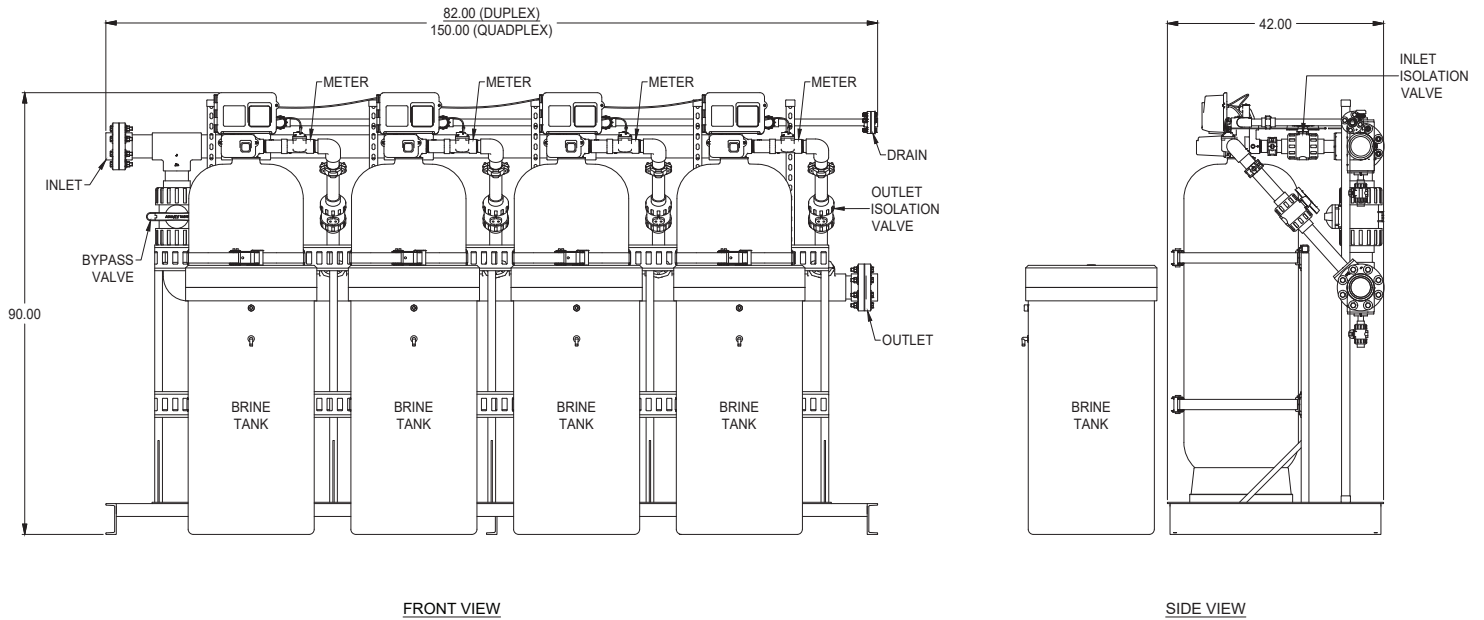
Features – Benefits



Progressive flow quadplex systems activate tanks as needed based on flow for applications up to 308 GPM!



Simplify Installation | Minimize Down Time | Minimize Maintenance | Broad Range of Applications



MODEL NO.	GRAIN CAPACITY PER TANK (MAX.)	MAIN HEADERS - DRAIN PIPE SIZE (IN.)	MINERAL TANK		BRINE TANK		FLOW RATE & PRESSURE			
			NO. OF TANKS - METERS	TANK SIZE	RESIN FT3 PER TANK	NO.- SIZE	SALT FILL (LBS)	SERVICE (GPM)	DROP (PSI)	BKW (GPM)
M4048TA-PPSM	150,000	2-1	2-1	18"x65"	5	1-24x41	600	57-65	15-25	10
M4052TA-PPSM	210,000	2-1	2-1	21"x62"	7	1-24x50	800	60-77	15-25	12
M4048QD-PPSM	150,000	4-1	4-4	18"x65"	5	4-24X41	2400	228-260	15-25	10
M4052QD-PPSM	210,000	4-1	4-4	21"x62"	7	4-24X50	3200	240-308	15-25	12

MODEL NO.	ORDERING CODES	DESCRIPTION	SPACE REQUIRED D X W X H	WEIGHT LBS
M4048TA-PPSM	68110283	5 Cubic Foot Duplex Alternating Skid Mounted Softener with Flow Meter	74" x 82" x 90"	1700
M4052TA-PPSM	68105421	7 Cubic Foot Duplex Alternating Skid Mounted Softener with Flow Meter	74" x 82" x 90"	2100
M4048QD-PPSM	68110286	5 Cubic Foot Quadplex Progressive Skid Mounted Softener w/Flow Meters	74" x 150" x 90"	3050
M4052QD-PPSM	68105418	7 Cubic Foot Quadplex Progressive Skid Mounted Softener w/Flow Meters	74" x 150" x 90"	3850

Watts product specifications in U.S. customary units and metric are approximate and are provided for reference only. For precise measurements, please contact Watts Technical Service. Watts reserves the right to change or modify product design, construction, specifications, or materials with-out prior notice and without incurring any obligation to make such changes and modifications on Watts products previously or subsequently sold.



Custom skid mounted pre-plumbed cartridge filter system.



System shown with optional ProPress plumbing.



Custom system for distillery. Quad Micro-Z and Quad Carbon systems. Dual RO with a production of 110 gpm each operating at 380 volts, 3-phase, 50 Hz. with Antiscalant chemical feed.

Your Single Source for Commercial Water Treatment Solutions

Expert support for custom engineered and commercial projects

Get the support you need to bid on specialty applications and large-scale commercial projects. Our dedicated team can provide design and sourcing support for jobs of any size.

- Custom skid mounted and preplumbed equipment options
- Pump skids with VFD controls up to 500 gallons per minute
- 3-D cad drawings
- Industry leading engineering and technical support

Contact your Watts representative to learn more about our product line and support services.



48"x60" Carbon Filter with stainless valve nest featuring Watts stainless steel 3" diaphragm valves.

