

## For Residential, Commercial and OEM Applications

Job Name \_\_\_\_\_

Contractor \_\_\_\_\_

Job Location \_\_\_\_\_

Approval \_\_\_\_\_

Engineer \_\_\_\_\_

Contractor's P.O. No. \_\_\_\_\_

Approval \_\_\_\_\_

Representative \_\_\_\_\_

# LEAD FREE\*

## Series SS263AP Compact Stainless Steel Water Regulators

Sizes: 1/4" - 1/2" (8-15mm)

Series SS263AP Compact Stainless Steel Water Regulators are designed for use with deionized water, chemical solutions, and high purity water purification systems applications. Lead Free small pressure regulators shall comply with state codes and standards where applicable, requiring reduced lead content.

### Features

- Rugged investment cast stainless steel body and cage
- Stainless steel adjusting screw
- Oversized orifice
- 1/4" (8mm) gauge port

### Materials

Body: Stainless steel ASTM-351-CF8M  
 Spring Cage: Stainless steel ASTM-351-CF8M  
 Disc: Buna-N (FDA) stainless steel stem  
 Diaphragm: Reinforced Buna-N (FDA)  
 Bottom Plug: Stainless steel  
 Bottom Spring: Stainless steel  
 Trim: Viton®\*

\*Viton® is a registered trademark of DuPont Dow Elastomers.

### Options

Add suffix:

G pressure gauge  
 X slotted adjusting screw

See Pressure - Temperature section for reduced pressure range options

### Specifications

A compact lead free\* water regulator shall be installed on deionized water purification or chemical handling systems as indicated on the plans. Regulator shall have a stainless steel body and cage and oversized orifice. Regulator shall be a Watts Series SS263AP.



SS263AP  
3-Way

### Pressure – Temperature

Temperature Range: 0°F–140°F (18°C – 60°C)  
 Maximum Operating Pressure: 400psi (27.6 bar)

### Reduced Pressure Range:

OPTION SUFFIX	RANGE		STD SET AT	
	psi	bar	psi	bar
A	1-25	0.1-1.8	10	0.7
B	3-50	0.2-3.5	15	1.0
C	10-125	0.7-8.8	25	1.8
D	20-175	1.38-12.07	50	3.5
E	100-300	7.0-21.0	125	8.8

### NOTICE

The information contained herein is not intended to replace the full product installation and safety information available or the experience of a trained product installer. You are required to thoroughly read all installation instructions and product safety information before beginning the installation of this product.

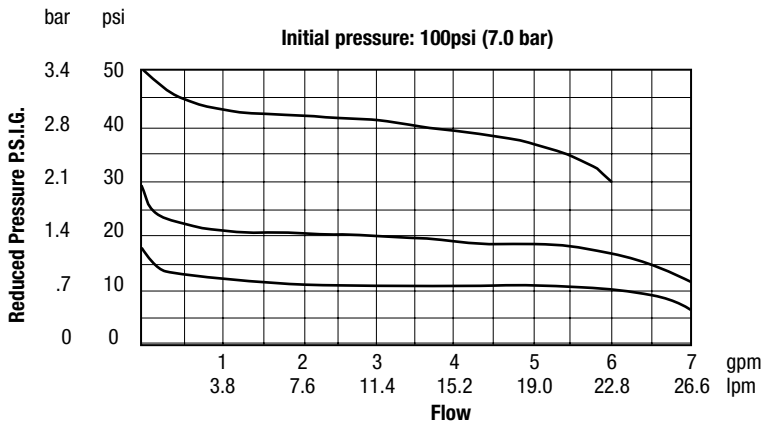
### NOTICE

Inquire with governing authorities for local installation requirements

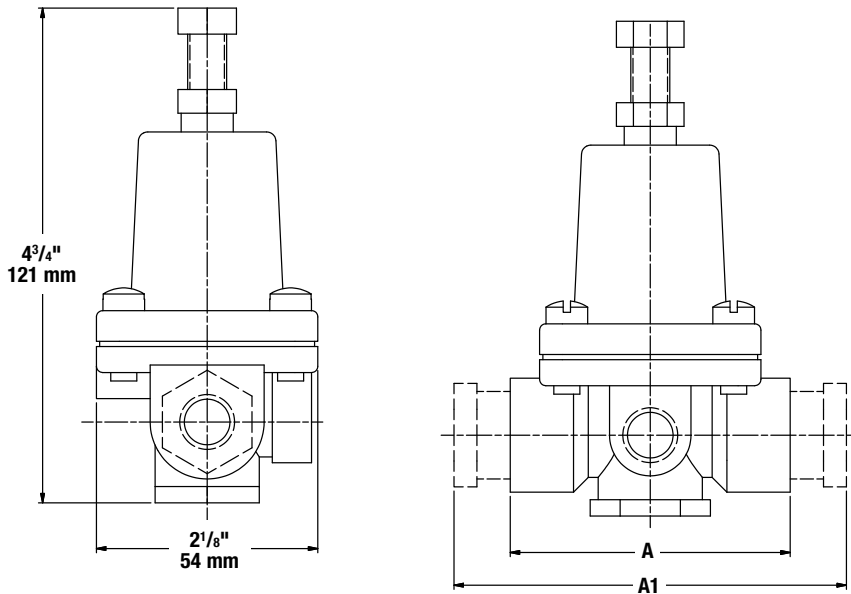
\*The wetted surface of this product contacted by consumable water contains less than 0.25% of lead by weight.

Watts product specifications in U.S. customary units and metric are approximate and are provided for reference only. For precise measurements, please contact Watts Technical Service. Watts reserves the right to change or modify product design, construction, specifications, or materials without prior notice and without incurring any obligation to make such changes and modifications on Watts products previously or subsequently sold.

# Capacity



Notice: 1psi equals .07 bar  
1gpm equals 3.785 liters per minute



## Dimensions - Weights

SIZE (DN)		DIMENSIONS				WEIGHT	
in.	mm	A		A1		lbs	kg
		in.	mm	in.	mm		
1/4	8	NA	—	3/4	95	1.8	.82
3/8	10	NA	—	3/4	95	1.8	.82
1/2	15	2 1/16	68	NA	—	1.5	.68

Notice: 1/4" and 3/8" valves are supplied with 2 reducing bushings to 1/2" NPT connection.



**USA:** T: (978) 689-6066 • F: (978) 975-8350 • Watts.com  
**Canada:** T: (905) 332-4090 • F: (905) 332-7068 • Watts.ca  
**Latin America:** T: (52) 81-1001-8600 • Watts.com