

- NOTES:
- ALL DIMENSIONS SHOWN IN TABLE ARE IN INCHES, UNLESS OTHERWISE NOTED & ARE ± 1 INCH (25MM).
  - ALL ITEMS SHOWN IN PHANTOM LINE ARE TO BE PROVIDED BY OTHERS.
  - ALL DIMENSIONS ARE SUBJECT TO CHANGE WITHOUT ANY NOTICE.
  - INSTALL UNIONS FITTINGS ON INLET, OUTLET & DRAIN PLUMBING CONNECTIONS.
  - PROVIDE A 2 FEET MINIMUM CLEARANCE ABOVE MINERAL TANK FOR FILLING MEDIA.
  - A GFCI EQUIPT ELECTRICAL OUTLET SHOULD BE PROVIDED WITHIN 5 FEET OF EQUIPMENT LOCATION.
  - USE DIELECTRIC UNIONS ON PLUMBING CONNECTIONS OF CONTROL VALVE WHEN DISSIMILAR METALS ARE PRESENT.
  - PROVIDED SYSTEM SHALL NOT BE SUBJECT TO ANY VACUUM. IF RISK OF VACUUM IS PRESENT, INSTALL SIPHON BREAK ON DRAIN LINE & INSTALL VACUUM RELIEF VALVE WATTS ORDERING CODE # 0556031 ON INLET LINE.
  - BRINE TANK DIMENSIONS SHOWN ON TABLE ARE FACTORY SELECTED FOR USE WITH THE SPECIFIED SYSTEM SIZE.
  - DO NOT INSTALL DRAIN LINE DIRECTLY TO A DRAIN. FOR PROPER DRAIN CONNECTION FOLLOW ALL NATIONAL, STATE AND LOCAL CODES. DO NOT CONSTRUCT DRAIN LINE TO ELEVATIONS THAT EXCEED 4 FEET ABOVE THE CONTROL VALVE'S DRAIN PORT.
  - THE FULL WEIGHT OF THE PIPING AND VALVES MUST BE SUPPORTED BY PIPE HANGERS OR OTHER MEANS.
  - INLET AND OUTLET HEADERS NEED TO BE SIZED ACCORDING TO FLOW RATE REQUIREMENTS BY OTHERS.
  - POWER REQUIREMENTS: 115V/60HZ 2.7 AMPS PER CONTROL VALVE UNLESS OTHERWISE SPECIFIED.
  - BRINE TANK MUST BE LOCATED WITHIN 10 FEET OF SYSTEM CONTROL VALVE AND ON A COMMON FLOOR ELEVATION WITH MINERAL TANK TO ENSURE PROPER BRINE DRAW OPERATION.
  - USE A MINIMUM OF 1 INCH SCH 40 PVC PIPING FOR CONSTRUCTION OF BRINE LINE.
  - LIMIT INLET PRESSURE TO NOT EXCEED MAXIMUM PUBLISHED OPERATING PRESSURE.

SERIES PWS30-P QUAD PROGRESSIVE DIMENSION (INCHES) & SPECIFICATIONS

MODEL NO.	ORDERING CODES (EDP NO.)	MINERAL TANK SIZE	INLET	OUTLET	OVERALL HEIGHT (SEE NOTE 5)	OVERALL DEPTH	OVERALL WIDTH	MINIMUM INLET PIPE DISTANCE	BRINE TANK (SEE NOTE 9)	CONTROL VALVE INLET/OUTLET PIPE SIZE (NPT)	DRAIN CONN. SIZE (NPT)	SERVICE FLOW GPM @ 15 PSI DROP	PEAK SERVICE FLOW GPM @ 25 PSI DROP	DRAIN FLOW RATE (GPM)	MIN/MAX OPERATING TEMP F°	MIN/MAX OPERATING PRESSURE (PSI)	ESTIMATED OPERATING WEIGHT (LBS)	ESTIMATED SHIPPING WEIGHT (LBS)
PWS30151H44	7100757	24 X 72	79.44	79.44	95.25	24.5	169.4	7.0	30 X 50	3.0	1.0	480	680	15	34/110	25/125	13426	4280
PWS30151I44	7100758	30 X 72	81.44	81.44	96.75	30.13	175.6	9.5	39 X 48	3.0	1.5	632	848	25	34/110	25/125	20628	6400
PWS30151J44	7100759	36 X 72	87.25	87.25	101	36.13	185.6	12.0	39 X 60	3.0	1.5	740	1000	35	34/110	25/125	26642	8660
PWS30151K44	7100760	42 X 72	95.25	95.25	108	44	188.6	14.5	42 X 60	3.0	2.0	800	1072	50	34/110	25/125	35442	12980
PWS30151L44	7100761	48 X 72	99.63	99.63	112.38	50.38	202.6	17.0	50 X 60	3.0	2.0	852	1120	60	34/110	25/125	48789	17180

**WATTS** 815 CHESTNUT ST. NORTH ANDOVER, MA 01845

THIS DRAWING IS UNLESS SPECIFIED: FRACTIONAL ANGULAR 1/16" = 1" (COMMON BASE) 1/32" = 1" (COMMON BASE) 1/64" = 1" (COMMON BASE) SURFACE FINISH: UNLESS OTHERWISE SPECIFIED

DO NOT SCALE DRAWING

DWG BY: JR DATE: 2/2/2021 SCALE: NTS SHEET: 1 OF 1 SUPERSEDES:

CHD BY: RL DATE: 2/2/2021

TITLE: GENERAL INSTALLATION, SERIES PWS30-P QUADPLEX PROGRESSIVE 3" WATER SOFTENERS

PART NO.: SEE TABLE

MATERIAL: N/A

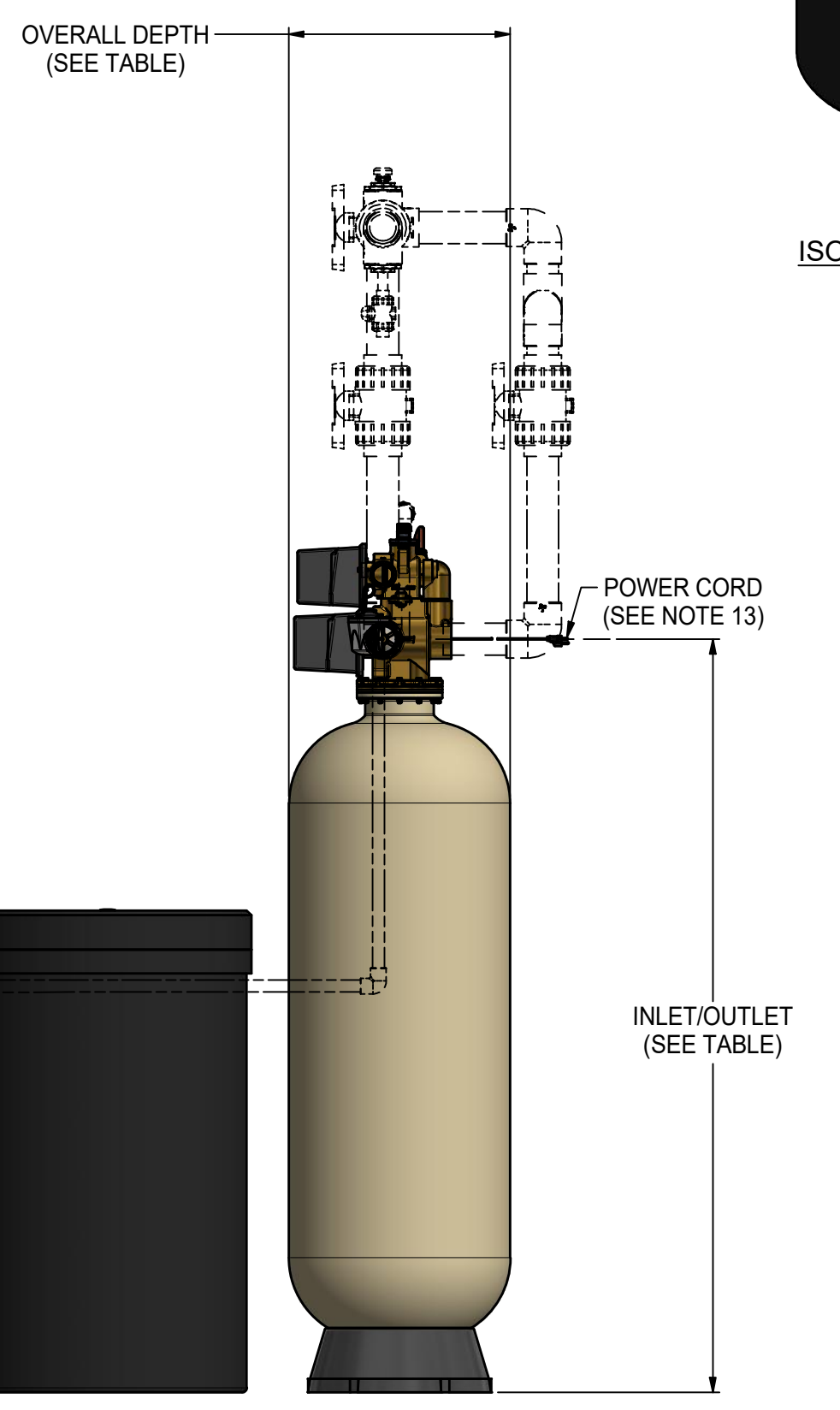
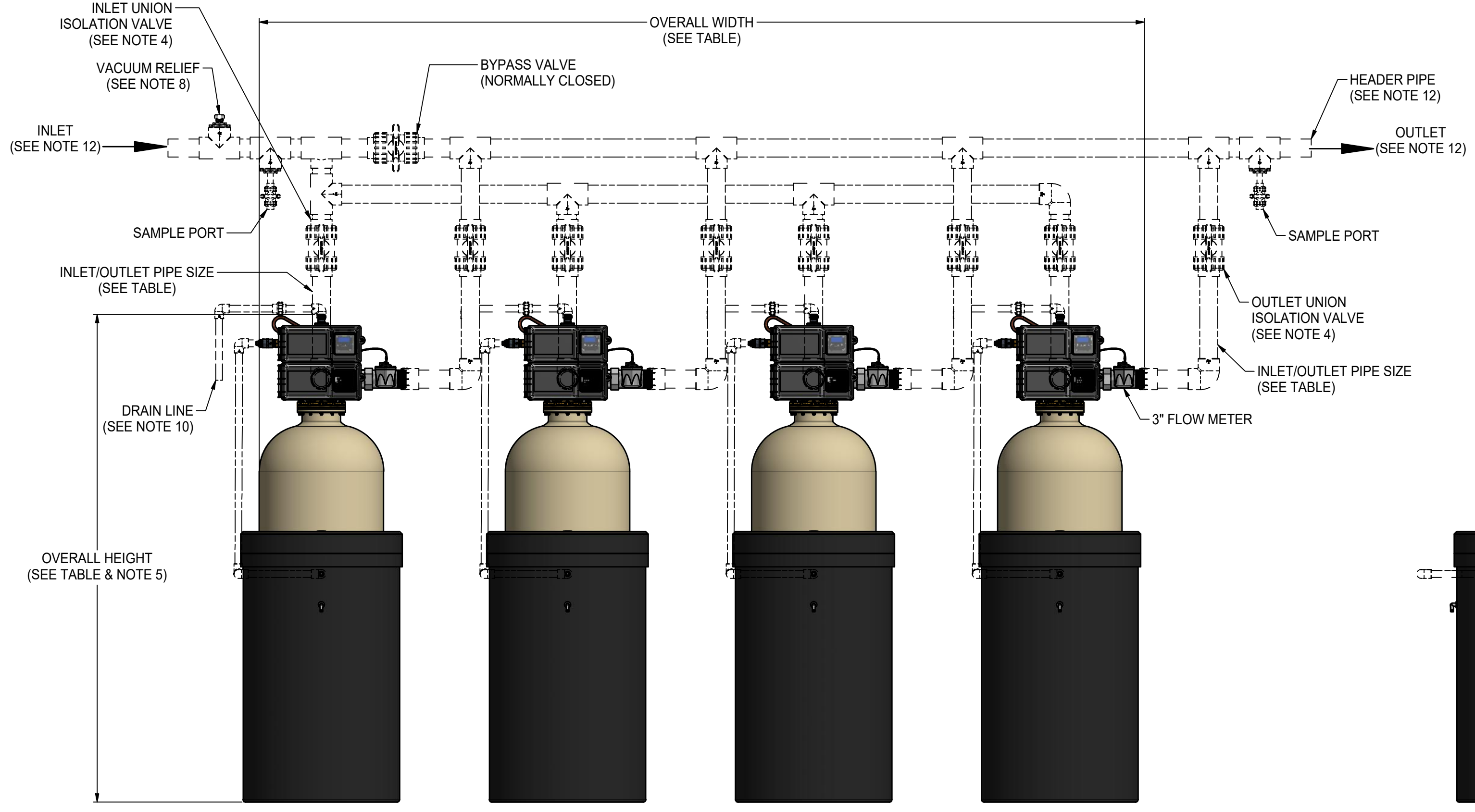
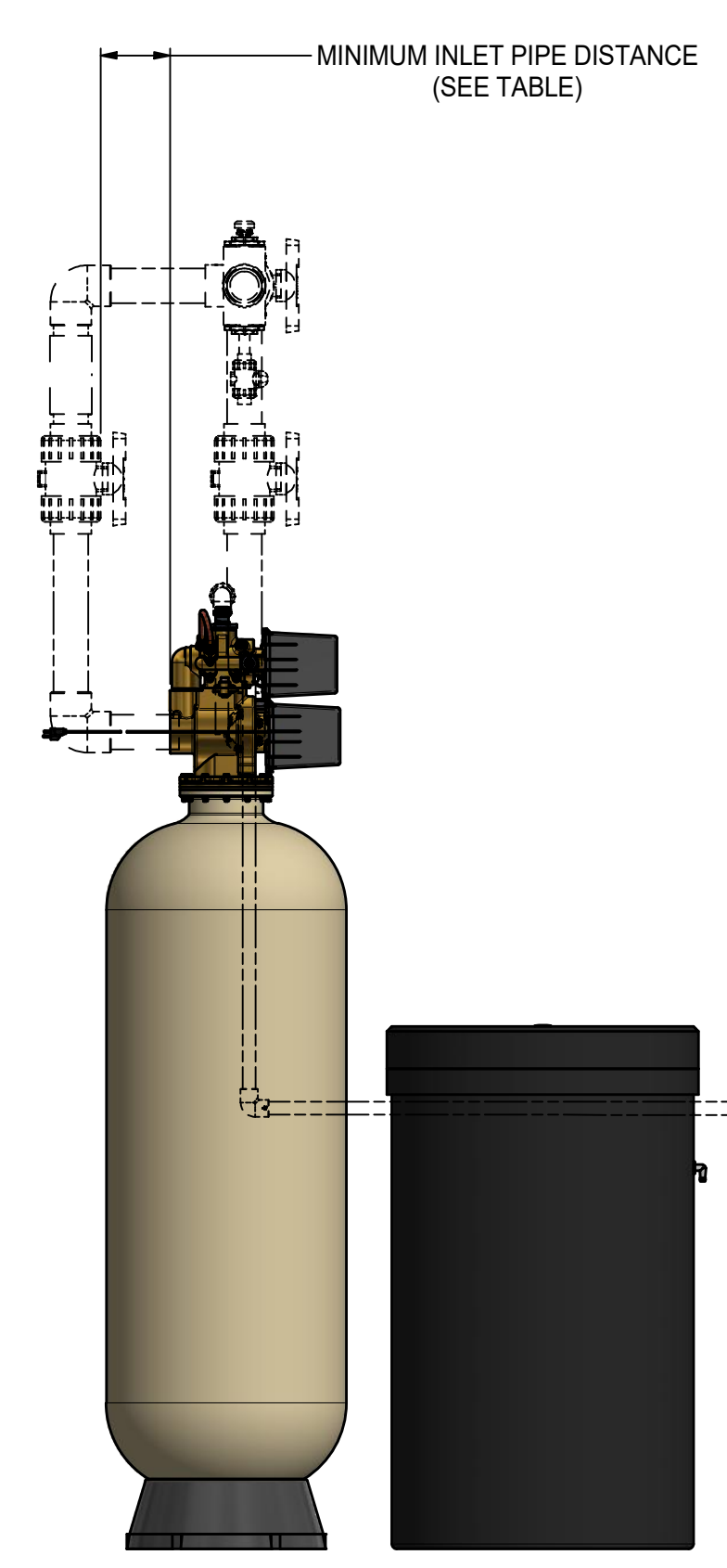
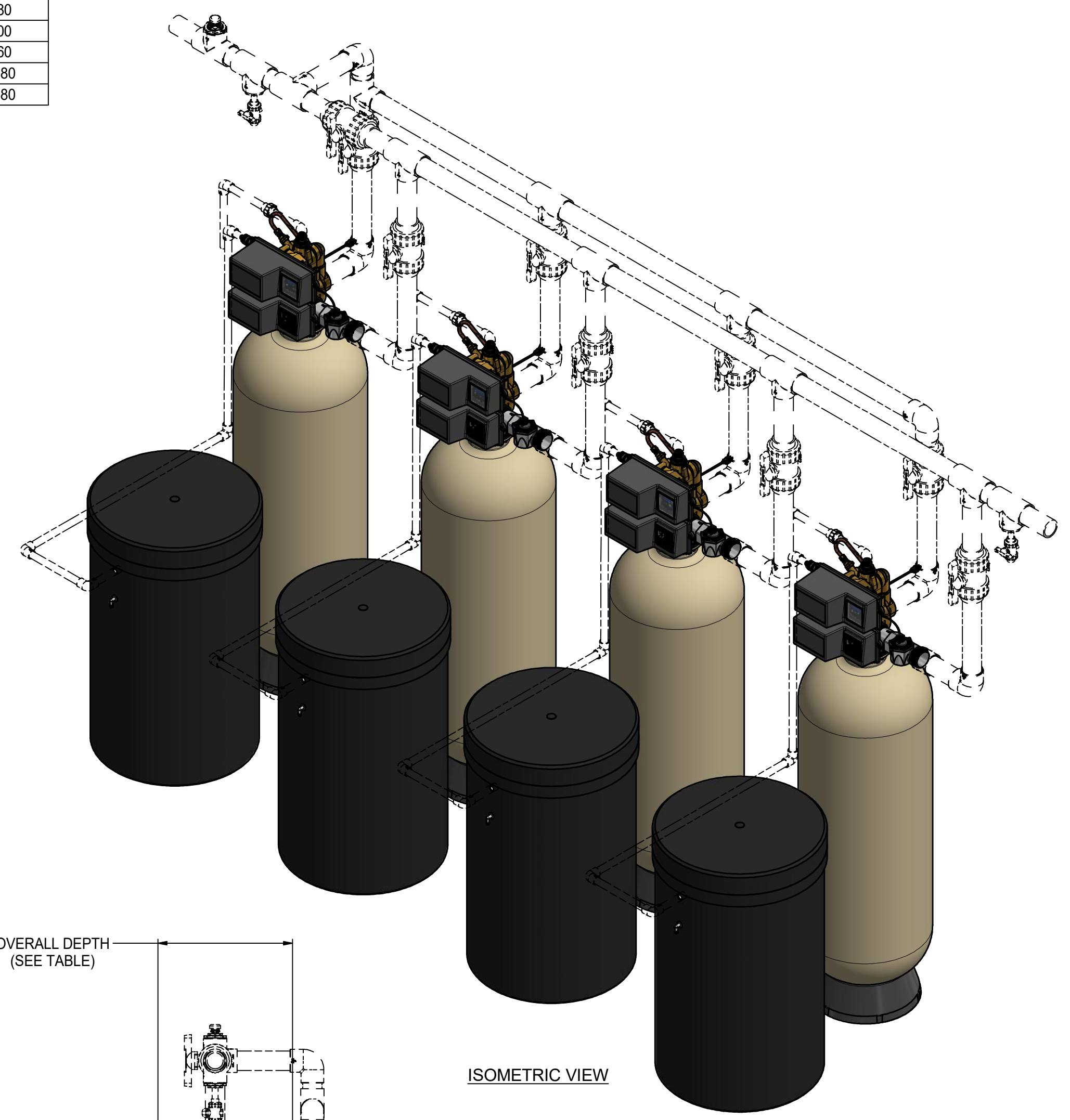
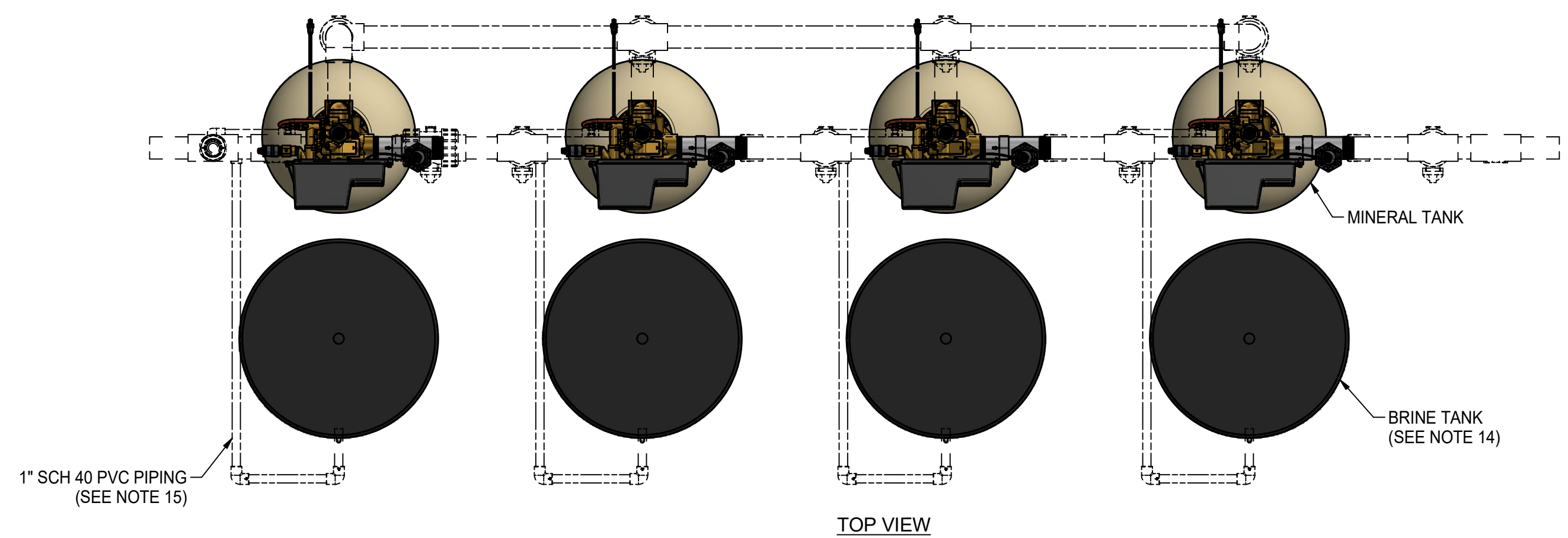
OTHER: ESTIMATED WEIGHT: SEE TABLE

EDP NO.: SEE TABLE

FILE TYPE: CAD

SIZE: D

REV: 1



CLIENT PROJECT SIGN-OFF

JOB NAME:	
JOB LOCATION:	
CONTRACTOR:	
CONTRACTOR APPROVAL:	
CONTRACTOR APPROVAL DATE:	
CONTRACTOR PO NO:	
ENGINEER:	
ENGINEER APPROVAL:	
ENGINEER APPROVAL DATE:	