

NOTES:

1. ALL DIMENSIONS SHOWN IN TABLE ARE IN INCHES, UNLESS OTHERWISE NOTED & ARE ± 1 INCH (25MM).
2. ALL ITEMS SHOWN IN PHANTOM LINE ARE TO BE PROVIDED BY OTHERS.
3. ALL DIMENSIONS ARE SUBJECT TO CHANGE WITHOUT ANY NOTICE.
4. INSTALL UNIONS FITTINGS ON INLET & OUTLET PLUMBING CONNECTIONS.
5. ALLOW A SPACE OF 3" MINIMUM BENEATH FILTER HOUSING FOR REMOVAL DURING FILTER CARTRIDGE REPLACEMENT.
6. FOR INSTALLATIONS USING METAL PLUMBING, CONNECT A METAL BONDING STRAP TO INLET & OUTLET METAL PLUMBING TO MAINTAIN ELECTRICAL CONTINUITY.
7. THE FULL WEIGHT OF THE PIPING AND VALVES MUST BE SUPPORTED BY PIPE HANGERS OR OTHER MEANS.
8. INLET AND OUTLET HEADERS NEED TO BE SIZED ACCORDING TO FLOW RATE REQUIREMENTS BY OTHERS.
9. LIMIT INLET PRESSURE TO NOT EXCEED MAXIMUM PUBLISHED OPERATING PRESSURE.
10. WALL ANCHOR BOLTS TO BE PROVIDED BY OTHERS.

MODEL OFTWH-C ONEFLOW ANIT-SCALE SYSTEMS DIMENSION (INCHES) & SPECIFICATIONS														
MODEL NO.	ORDERING CODES (EDP NO.)	INLET	OUTLET	OVERALL HEIGHT (SEE NOTE 5)	OVERALL DEPTH	OVERALL WIDTH	INLET/OUTLET PIPE SIZE (NPT)	MAXIMUM SERVICE FLOW RATE (GPM)	REPLACEMENT ONEFLOW FILTER CARTRIDGE MODEL NO.	FILTER CARTRIDGE SIZE	MIN/MAX OPERATING TEMP F°	MIN/MAX OPERATING PRESSURE (PSI)	ESTIMATED OPERATING WEIGHT (LBS)	ESTIMATED SHIPPING WEIGHT (LBS)
OFTWH-C	0002191	12.0	12.0	18.5	8.60	10.00	0.75	5.0	OFTWH-C-RM	4.5 X 9.75	40/100°F	15/90	19.0	12.0

**WATTS**  
 815 CHESTNUT ST.  
 NORTH ANDOVER, MA 01845

THIS DRAWING DISCLOSES CONFIDENTIAL AND OTHER DATA OF A PROPRIETARY NATURE OWNED BY WATTS WATER TECHNOLOGIES, INC. AND MAY NOT BE USED OR DISCLOSED TO OTHERS WITHOUT THE PRIOR WRITTEN CONSENT OF WATTS WATER TECHNOLOGIES, INC.

DWG BY: JR  
 CHD BY: RL  
 DATE: 6/16/2021  
 SCALE: NTS  
 SHEET: 1 OF 1

815 CHESTNUT ST.  
 NORTH ANDOVER, MA 01845

LIMITS UNLESS SPECIFIED  
 FRACTIONAL ANGULAR 1/16" 30°  
 DECIMAL DIMENSIONS 0.0001" 25.4 (COMMON DIMS 0.001")  
 SURFACE FINISH 32 R.M.S.  
 1293.2 R.M.S.  
 DO NOT SCALE DRAWING

TITLE: GENERAL INSTALLATION, MODEL OFTWH-C, ONEFLOW ANTI-SCALE SYSTEM

PART NO.: SEE TABLE

MATERIAL: N/A

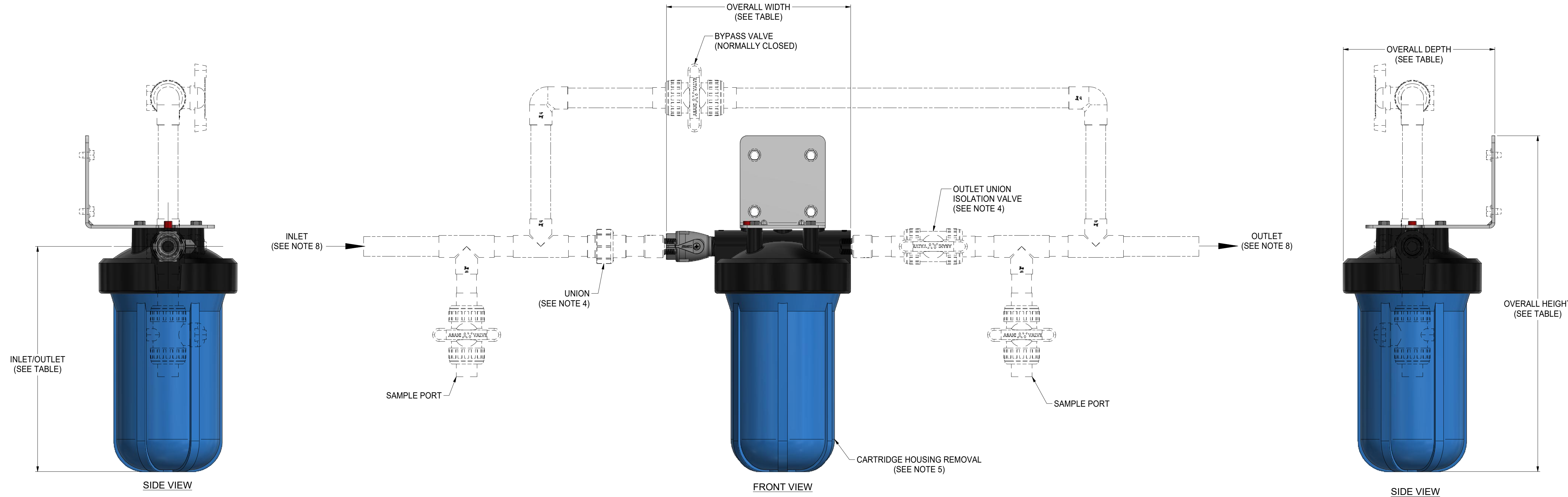
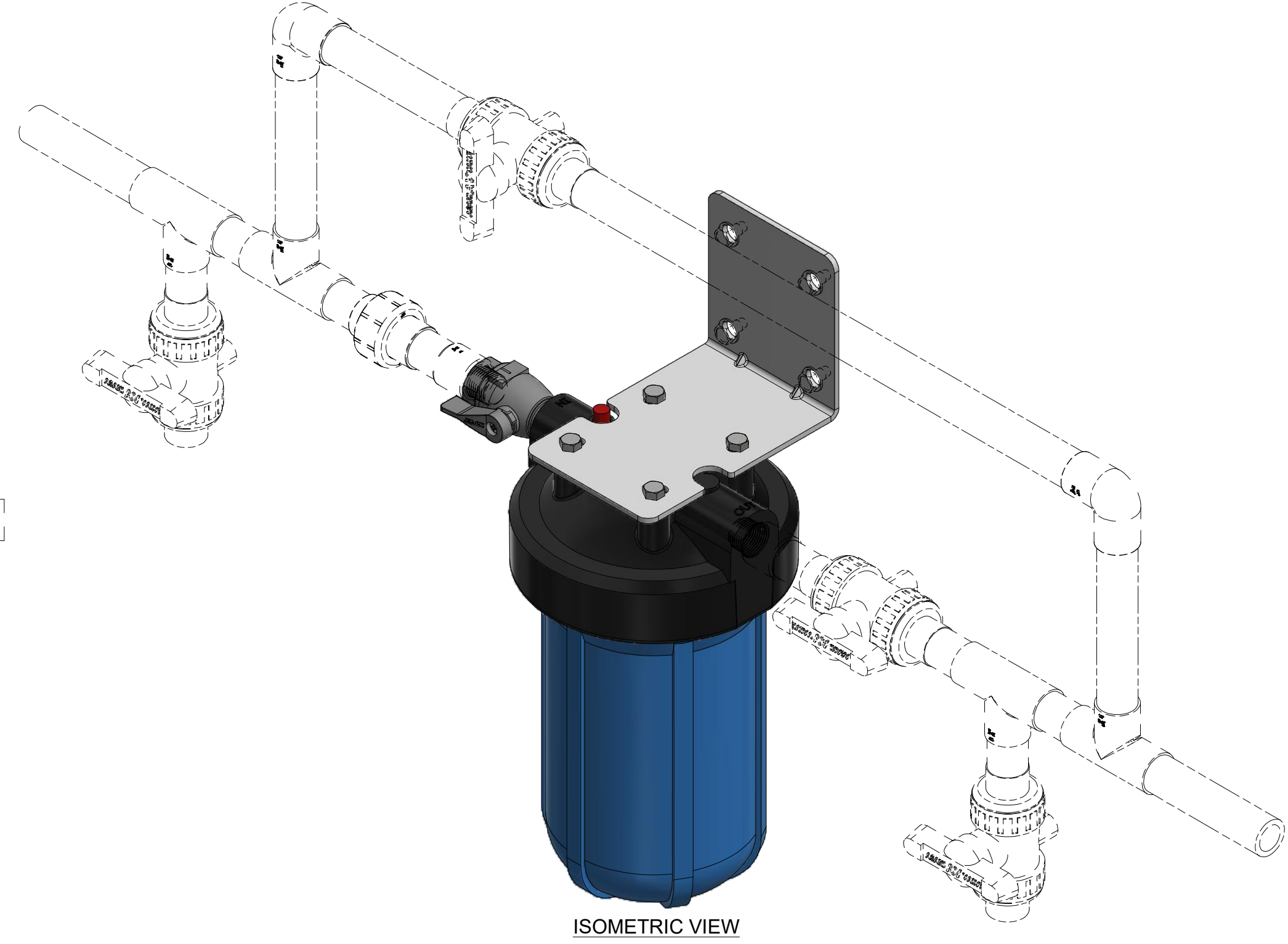
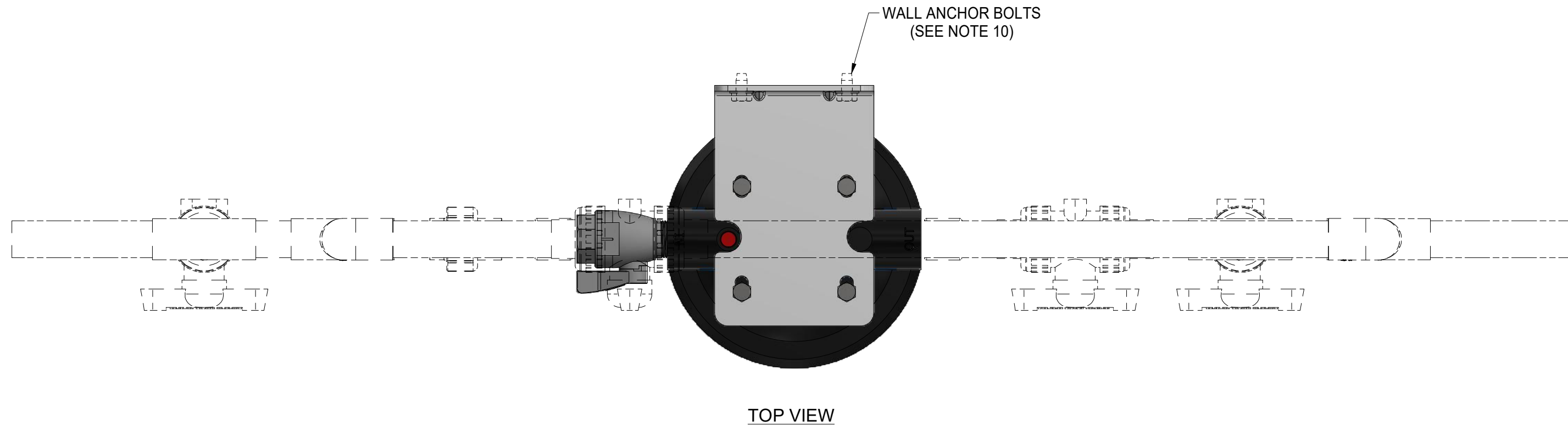
OTHER: ESTIMATED WEIGHT: SEE TABLE

EDP NO.: SEE TABLE

FILE TYPE: CAD

SIZE: D

REV: 0



CLIENT PROJECT SIGN-OFF

JOB NAME: \_\_\_\_\_

JOB LOCATION: \_\_\_\_\_

CONTRACTOR: \_\_\_\_\_

CONTRACTOR APPROVAL: \_\_\_\_\_

CONTRACTOR APPROVAL DATE: \_\_\_\_\_

CONTRACTOR PO NO: \_\_\_\_\_

ENGINEER: \_\_\_\_\_

ENGINEER APPROVAL: \_\_\_\_\_

ENGINEER APPROVAL DATE: \_\_\_\_\_