

- NOTES:
- ALL DIMENSIONS SHOWN IN TABLE ARE IN INCHES, UNLESS OTHERWISE NOTED & ARE ± 1 INCH (25MM).
  - ALL ITEMS SHOWN IN PHANTOM LINE ARE TO BE PROVIDED BY OTHERS.
  - ALL DIMENSIONS ARE SUBJECT TO CHANGE WITHOUT ANY NOTICE.
  - INSTALL UNIONS FITTINGS ON INLET, OUTLET & DRAIN PLUMBING CONNECTIONS.
  - PROVIDE A 2 FEET MINIMUM CLEARANCE ABOVE MINERAL TANK FOR FILLING MEDIA.
  - A GFCI EQUIPT ELECTRICAL OUTLET SHOULD BE PROVIDED WITHIN 5 FEET OF EQUIPMENT LOCATION.
  - USE DIELECTRIC UNIONS ON PLUMBING CONNECTIONS OF CONTROL VALVE WHEN DISSIMILAR METALS ARE PRESENT.
  - PROVIDED SYSTEM SHALL NOT BE SUBJECT TO ANY VACUUM. IF RISK OF VACUUM IS PRESENT, INSTALL SIPHON BREAK ON DRAIN LINE & INSTALL VACUUM RELIEF VALVE WATTS ORDERING CODE # 0556031 ON INLET LINE.
  - BRINE TANK DIMENSIONS SHOWN ON TABLE ARE FACTORY SELECTED FOR USE WITH THE SPECIFIED SYSTEM SIZE.
  - DO NOT INSTALL DRAIN LINE DIRECTLY TO A DRAIN. FOR PROPER DRAIN CONNECTION FOLLOW ALL NATIONAL, STATE AND LOCAL CODES. DO NOT CONSTRUCT DRAIN LINE TO ELEVATIONS THAT EXCEED 4 FEET ABOVE THE CONTROL VALVE'S DRAIN PORT.
  - THE FULL WEIGHT OF THE PIPING AND VALVES MUST BE SUPPORTED BY PIPE HANGERS OR OTHER MEANS.
  - INLET AND OUTLET HEADERS NEED TO BE SIZED ACCORDING TO FLOW RATE REQUIREMENTS BY OTHERS.
  - POWER REQUIREMENTS: 115V/60HZ 2.7 AMPS PER CONTROL VALVE UNLESS OTHERWISE SPECIFIED.
  - BRINE TANK MUST BE LOCATED WITHIN 10 FEET OF SYSTEM CONTROL VALVE AND ON A COMMON FLOOR ELEVATION WITH MINERAL TANK TO ENSURE PROPER BRINE DRAW OPERATION.
  - USE A MINIMUM OF 1 INCH SCH 40 PVC PIPING FOR CONSTRUCTION OF BRINE LINE.
  - LIMIT INLET PRESSURE TO NOT EXCEED MAXIMUM PUBLISHED OPERATING PRESSURE.

SERIES PWS30-P DUPEX PROGRESSIVE DIMENSION (INCHES) & SPECIFICATIONS

MODEL NO.	ORDERING CODES (EDP NO.)	MINERAL TANK SIZE	INLET	OUTLET	OVERALL HEIGHT (SEE NOTE 5)	OVERALL DEPTH	OVERALL WIDTH	MINIMUM INLET PIPE DISTANCE	BRINE TANK (SEE NOTE 9)	CONTROL VALVE INLET/OUTLET PIPE SIZE (NPT)	DRAIN CONN. SIZE (NPT)	SERVICE FLOW GPM @ 15 PSI DROP	PEAK SERVICE FLOW GPM @ 25 PSI DROP	DRAIN FLOW RATE (GPM)	MIN/MAX OPERATING TEMP F°	MIN/MAX OPERATING PRESSURE (PSI)	ESTIMATED OPERATING WEIGHT (LBS)	ESTIMATED SHIPPING WEIGHT (LBS)
PWS30151H22	7100651	24 X 72	79.44	79.44	95.25	24.5	73.4	7.0	30 X 50	3.0	1.0	240	340	15	34/110	25/125	6713	2140
PWS30151I22	7100652	30 X 72	81.44	81.44	96.75	30.13	79.6	9.5	39 X 48	3.0	1.5	316	424	25	34/110	25/125	10314	3200
PWS30151J22	7100653	36 X 72	87.25	87.25	101	36.13	84.6	12.0	39 X 60	3.0	1.5	370	500	35	34/110	25/125	13321	4030
PWS30151K22	7100654	42 X 72	95.25	95.25	108	44	92.6	14.5	42 X 60	3.0	2.0	400	536	50	34/110	25/125	17721	6490
PWS30151L22	7100655	48 X 72	99.63	99.63	112.38	50.38	106.6	17.0	50 X 60	3.0	2.0	426	560	60	34/110	25/125	24394	8590

**WATTS** 815 CHESTNUT ST. NORTH ANDOVER, MA 01845

THIS DRAWING IS THE PROPERTY OF WATTS TECHNOLOGIES, INC. AND MAY NOT BE REPRODUCED OR TRANSMITTED IN ANY FORM OR BY ANY MEANS, ELECTRONIC OR MECHANICAL, WITHOUT THE WRITTEN CONSENT OF WATTS TECHNOLOGIES, INC.

LIMITS UNLESS SPECIFIED: FRACTIONAL ANGULAR 1/16" DECIMAL 1/16" 30X30 X1 ± 0.00175 30X30 X1 ± 0.00175 SURFACE FINISH (unplated) 12.5 ± 0.001

DO NOT SCALE DRAWING

TITLE: GENERAL INSTALLATION, SERIES PWS30-P DUPEX PROGRESSIVE 3" WATER SOFTENERS

PART NO.: SEE TABLE

MATERIAL: N/A

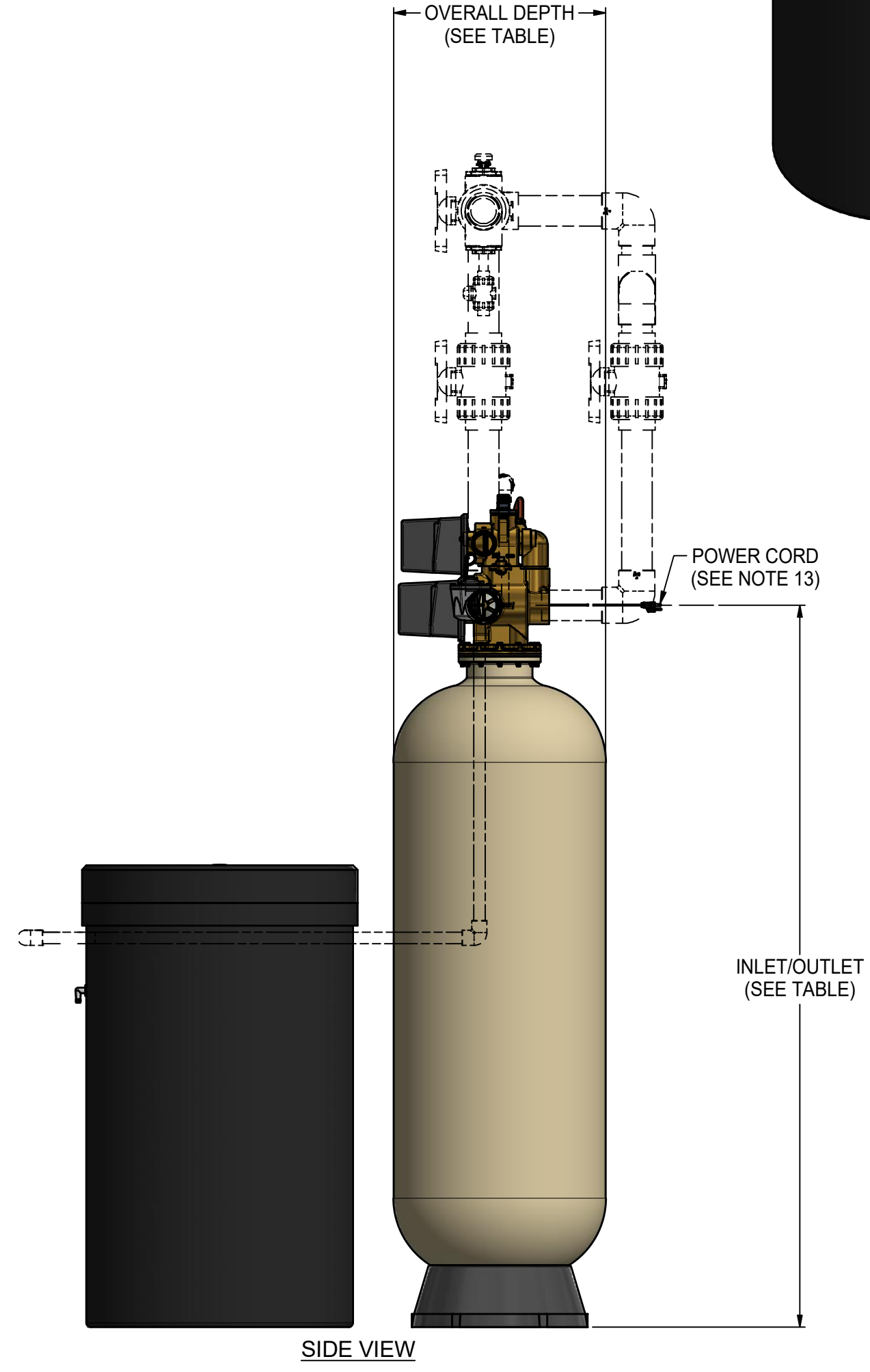
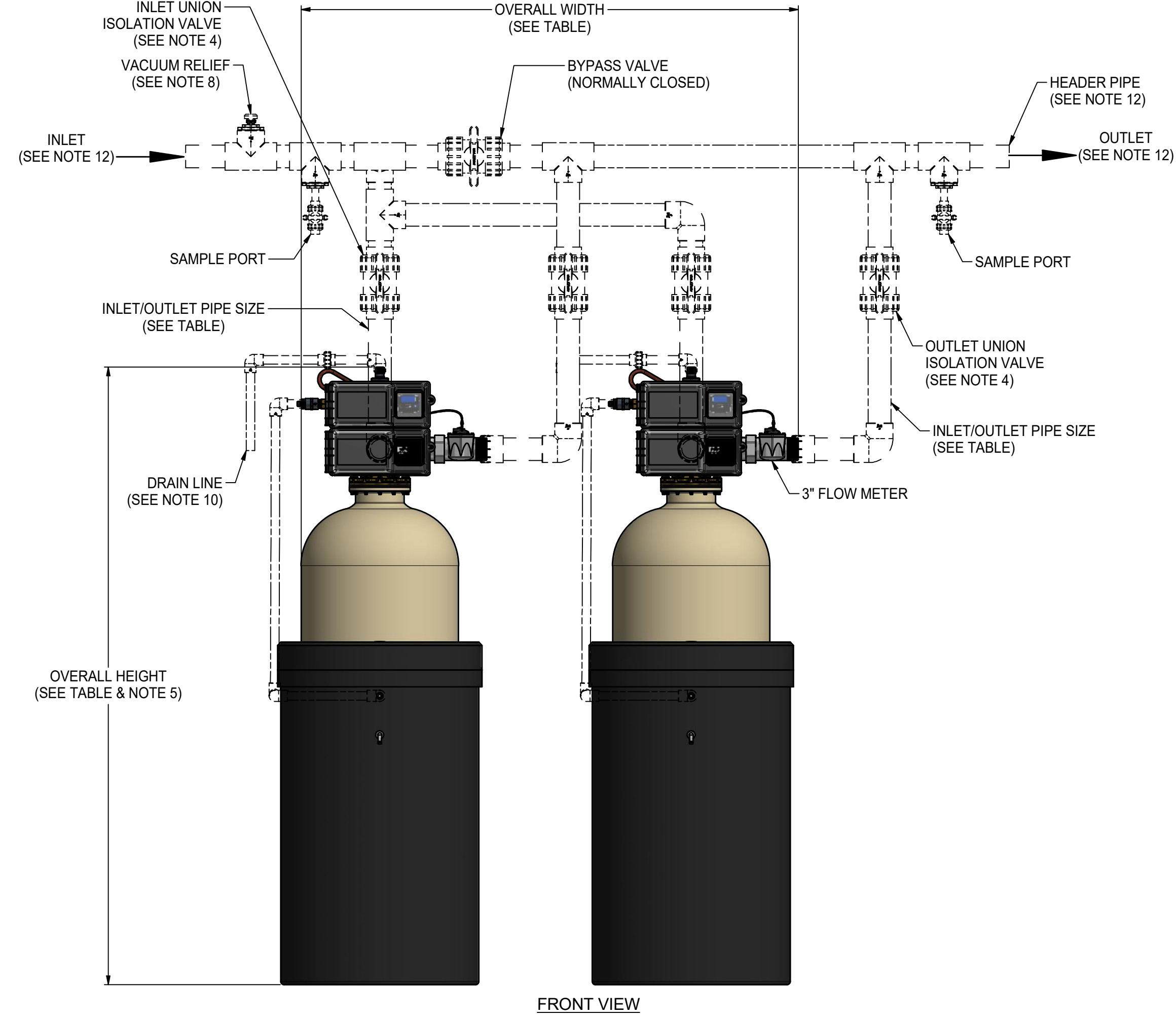
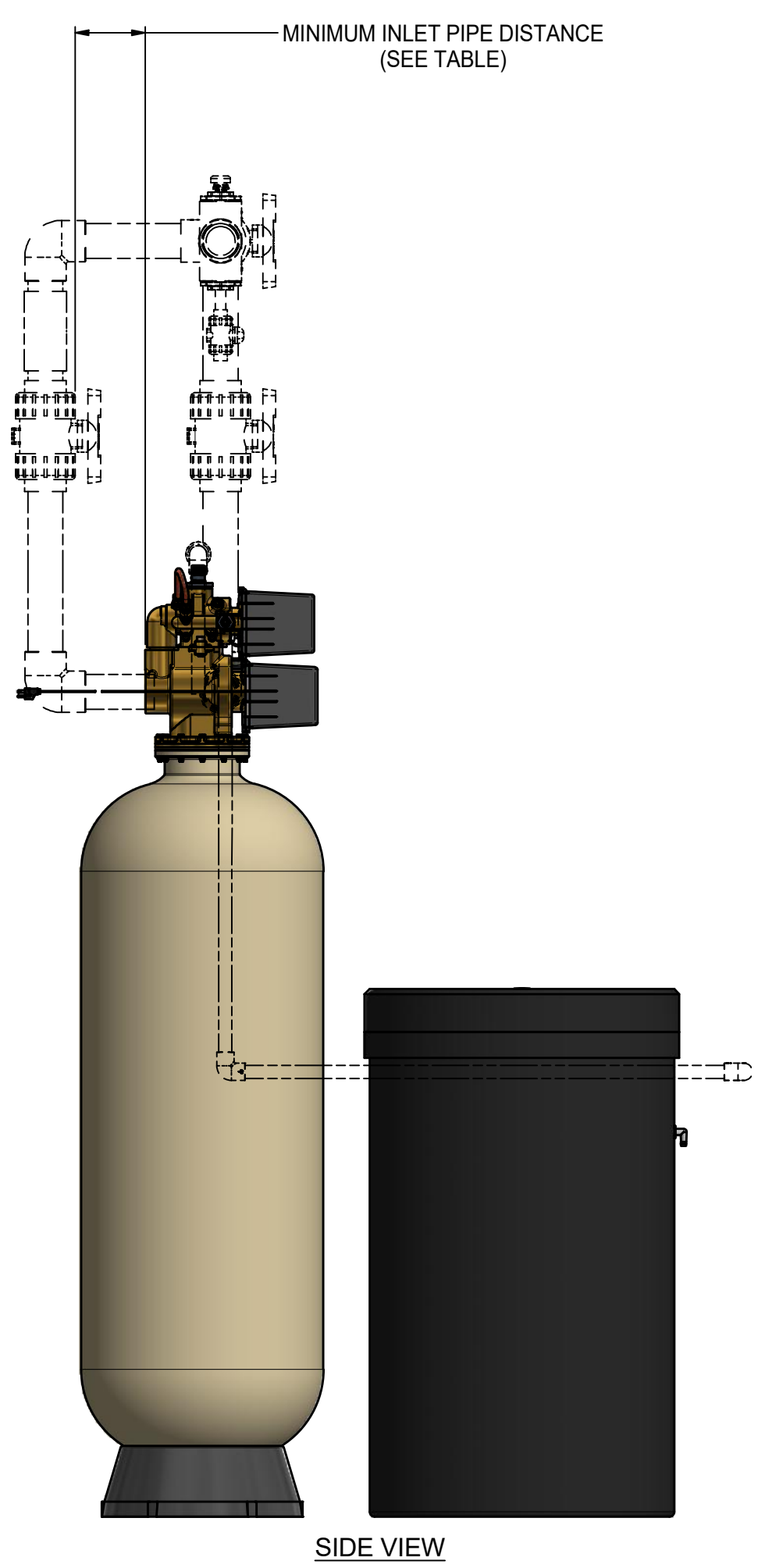
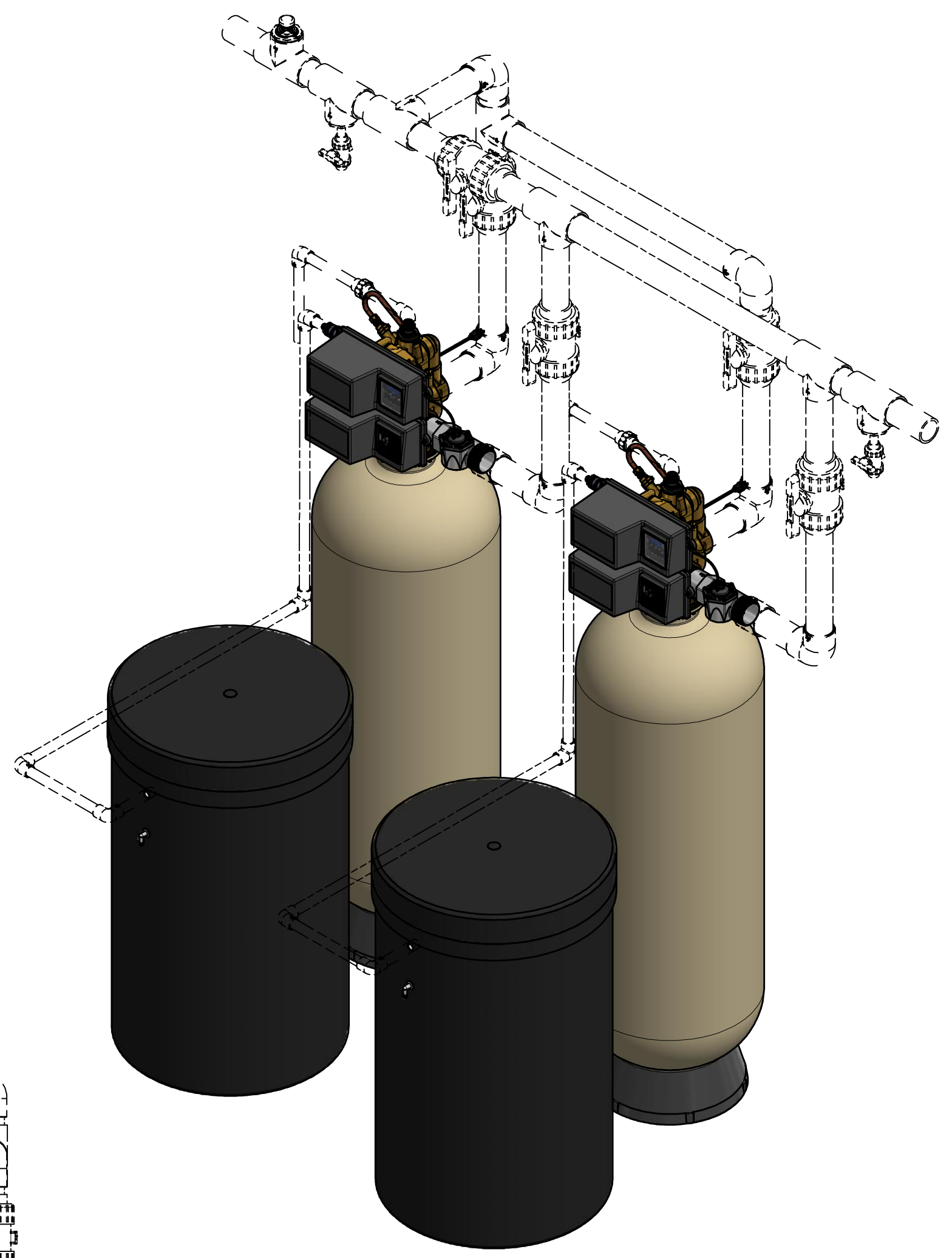
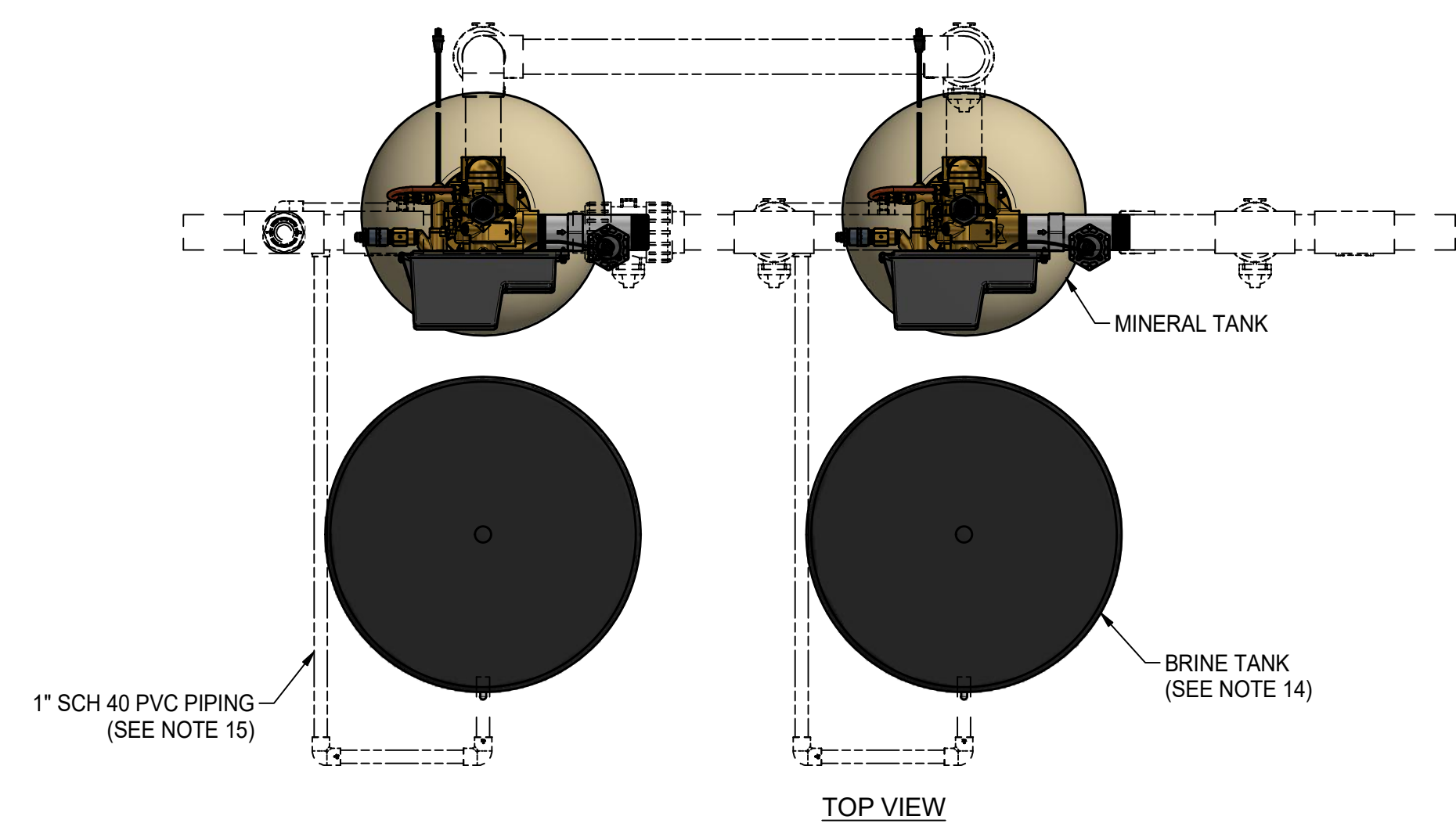
OTHER: ESTIMATED WEIGHT: SEE TABLE

EDP NO.: SEE TABLE

FILE TYPE: CAD

SIZE: D

REV: 1



CLIENT PROJECT SIGN-OFF

JOB NAME:	
JOB LOCATION:	
CONTRACTOR:	
CONTRACTOR APPROVAL:	
CONTRACTOR APPROVAL DATE:	
CONTRACTOR PO NO:	
ENGINEER:	
ENGINEER APPROVAL:	
ENGINEER APPROVAL DATE:	