

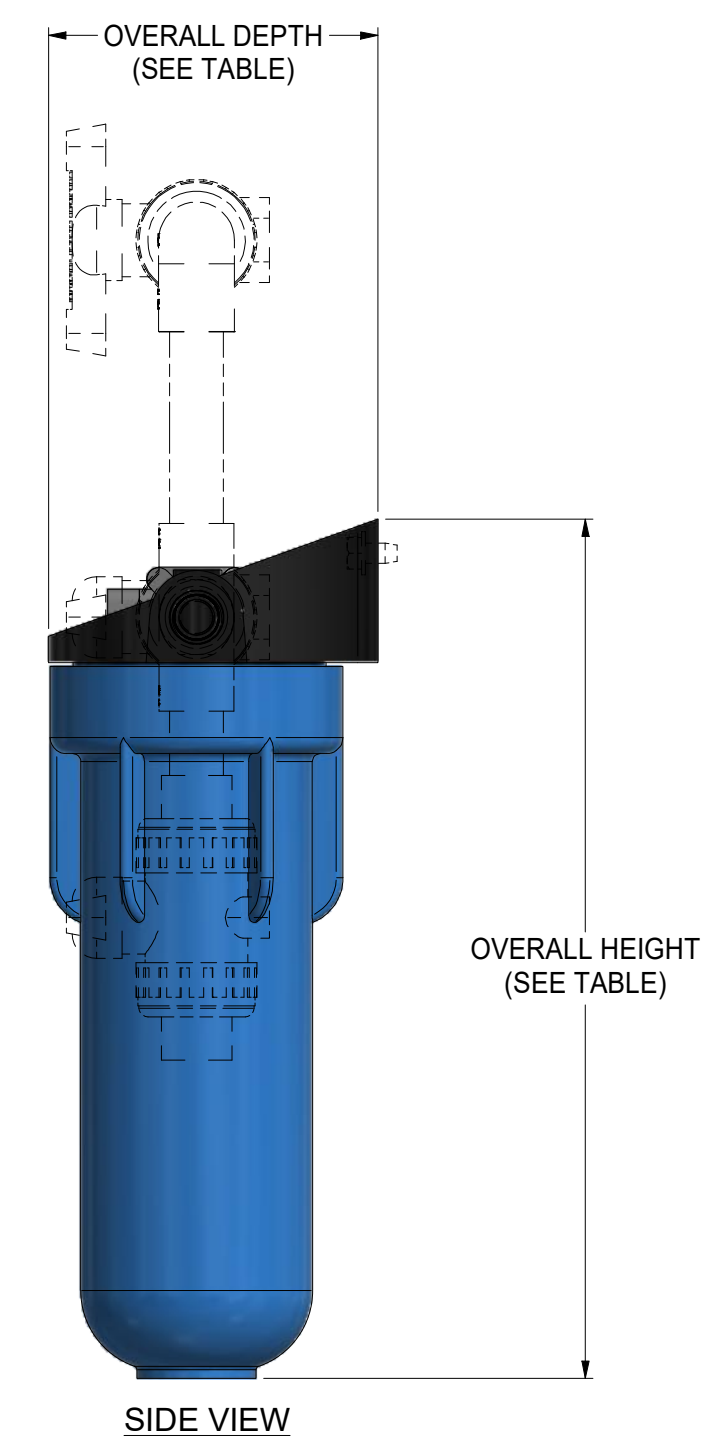
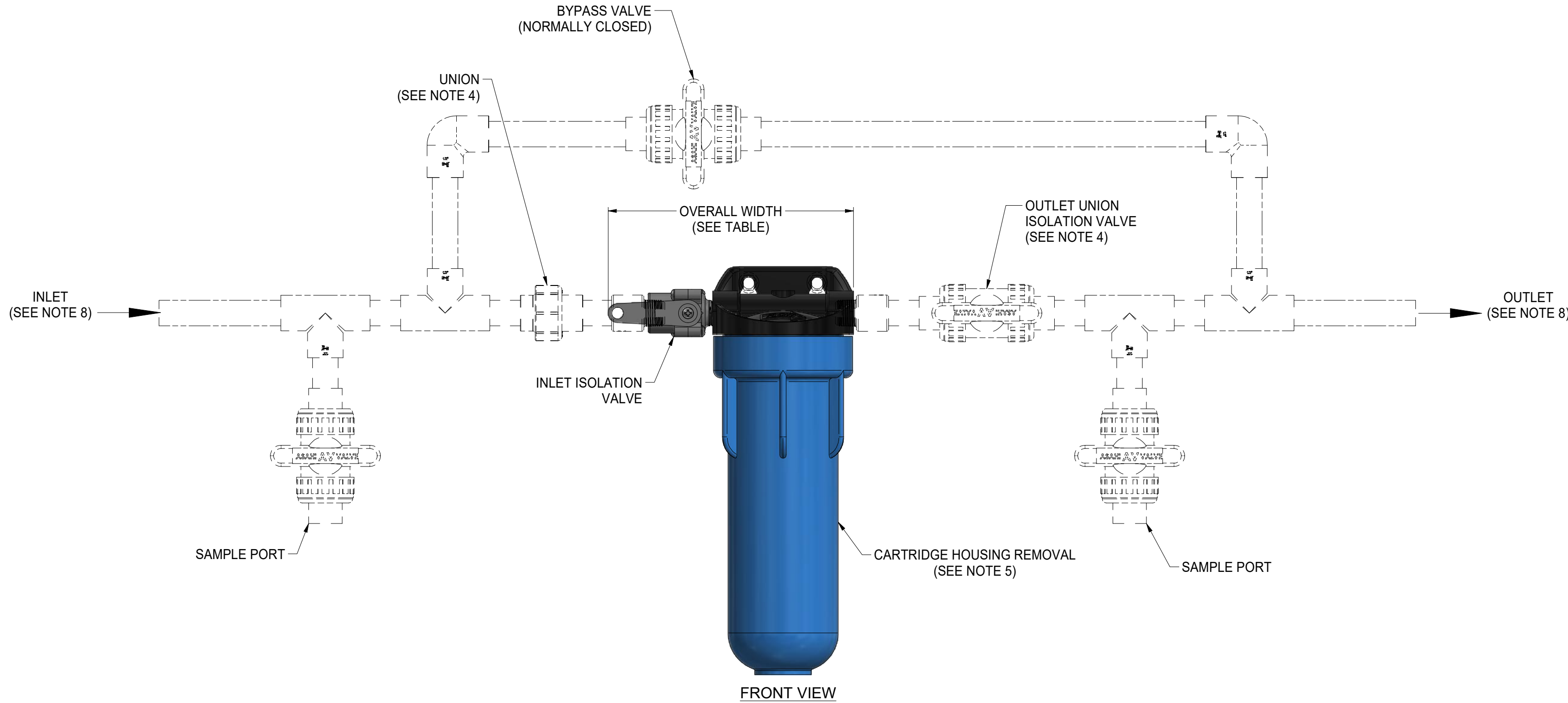
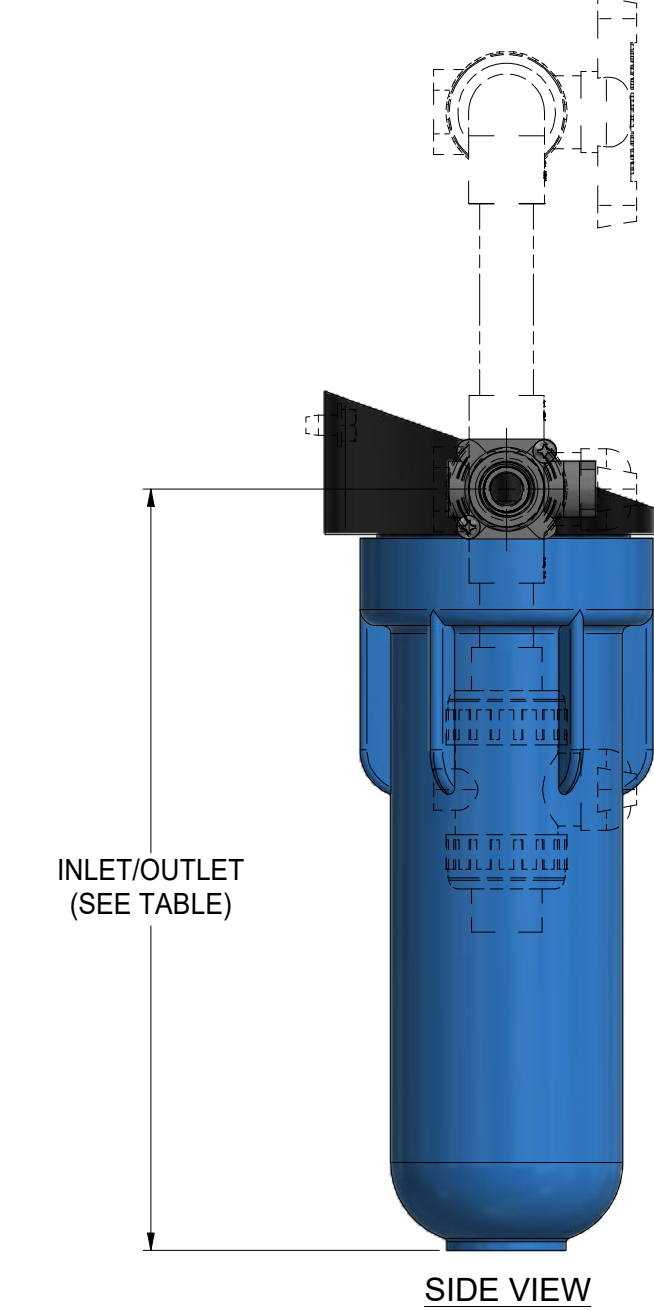
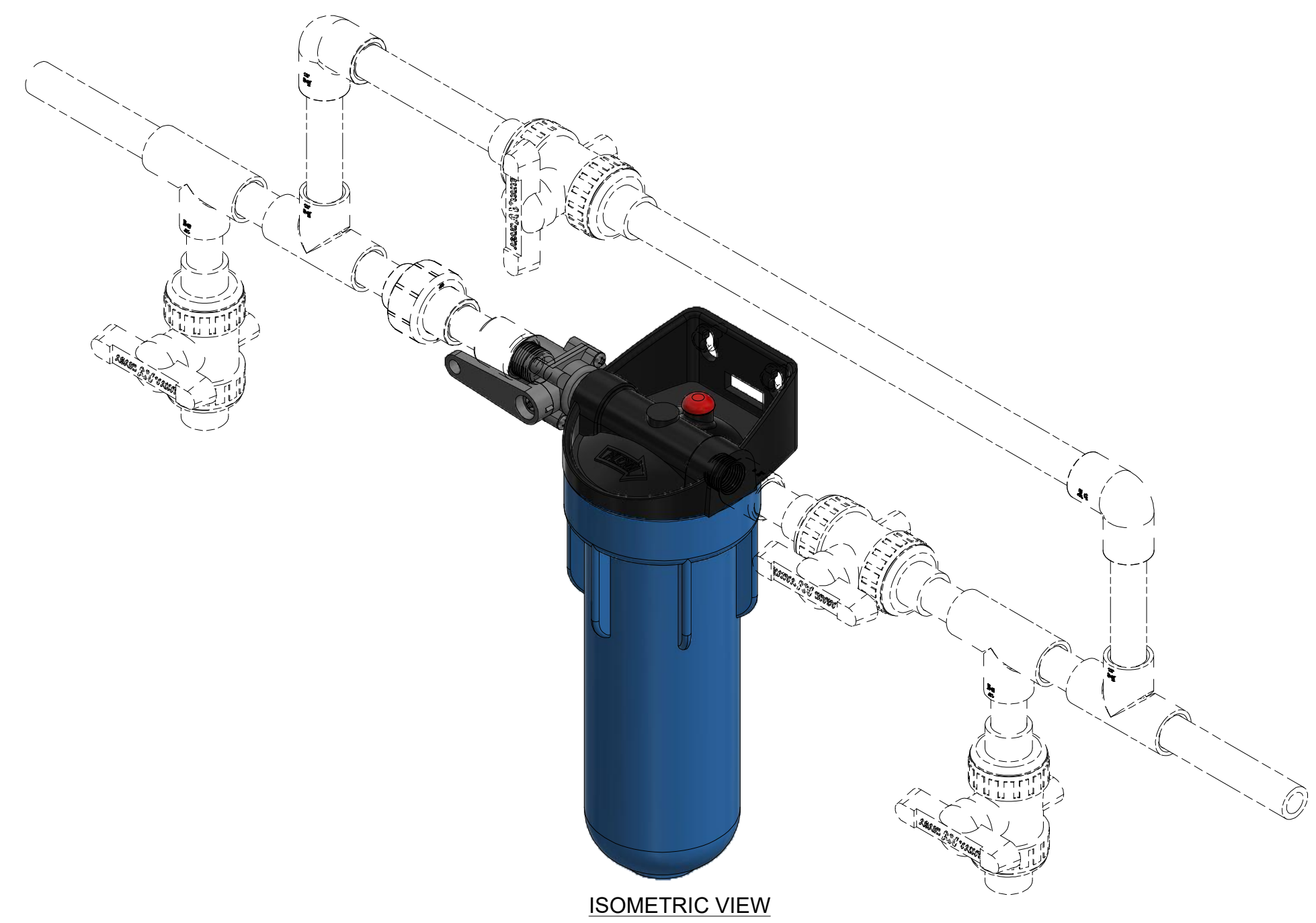
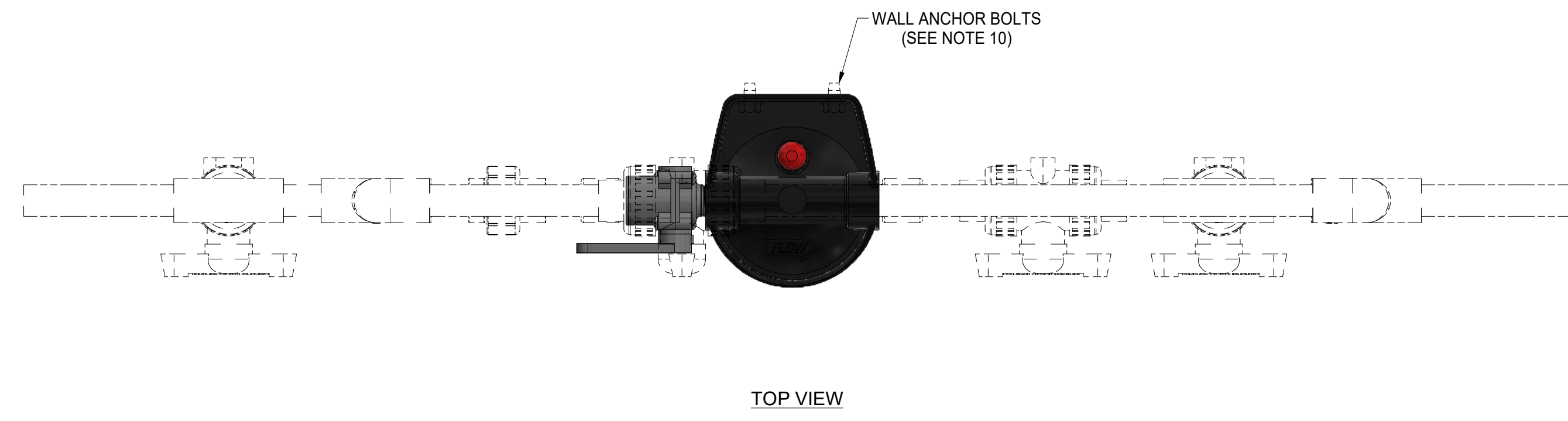
NOTES:

- ALL DIMENSIONS SHOWN IN TABLE ARE IN INCHES, UNLESS OTHERWISE NOTED & ARE ± 1 INCH (25MM).
- ALL ITEMS SHOWN IN PHANTOM LINE ARE TO BE PROVIDED BY OTHERS.
- ALL DIMENSIONS ARE SUBJECT TO CHANGE WITHOUT ANY NOTICE.
- INSTALL UNIONS FITTINGS ON INLET & OUTLET PLUMBING CONNECTIONS.
- ALLOW A SPACE OF 3" MINIMUM BENEATH FILTER HOUSING FOR REMOVAL DURING FILTER CARTRIDGE REPLACEMENT.
- FOR INSTALLATIONS USING METAL PLUMBING, CONNECT A METAL BONDING STRAP TO INLET & OUTLET METAL PLUMBING TO MAINTAIN ELECTRICAL CONTINUITY.
- THE FULL WEIGHT OF THE PIPING AND VALVES MUST BE SUPPORTED BY PIPE HANGERS OR OTHER MEANS.
- INLET AND OUTLET HEADERS NEED TO BE SIZED ACCORDING TO FLOW RATE REQUIREMENTS BY OTHERS.
- LIMIT INLET PRESSURE TO NOT EXCEED MAXIMUM PUBLISHED OPERATING PRESSURE.
- WALL ANCHOR BOLTS TO BE PROVIDED BY OTHERS.

MODELS OF 110-1, OF120-2, OF140-2 ONEFLOW ANIT-SCALE SYSTEMS DIMENSION (INCHES) & SPECIFICATIONS

MODEL NO.	ORDERING CODES (EDP NO.)	INLET	OUTLET	OVERALL HEIGHT (SEE NOTE 5)	OVERALL DEPTH	OVERALL WIDTH	INLET/OUTLET PIPE SIZE (NPT)	MAXIMUM SERVICE FLOW RATE (GPM)	REPLACEMENT ONEFLOW FILTER CARTRIDGE MODEL NO.	FILTER CARTRIDGE SIZE	MIN/MAX OPERATING TEMP F°	MIN/MAX OPERATING PRESSURE (PSI)	ESTIMATED OPERATING WEIGHT (LBS)	ESTIMATED SHIPPING WEIGHT (LBS)
OF110-1	0002148	12.0	12.0	13.5	5.15	8.00	0.5	1.0	OF110RM	2.5 X 9.75	40/100°F	10/90	8.0	5.0
OF120-2	0002149	22.2	22.2	23.6	5.54	7.75	0.5	2.0	OF120RM	2.5 X 20.0	40/100°F	10/90	15.0	8.0
OF140-4	0002150	22.3	22.3	28.1	8.00	9.80	0.75	4.0	OF140RM	4.5 X 20.0	40/100°F	10/90	32.0	18.0

	815 CHESTNUT ST. NORTH ANDOVER, MA 01845	LIMITS UNLESS SPECIFIED		TITLE: GENERAL INSTALLATION, MODELS OF 110-1, OF120-2, OF140-2 ONEFLOW ANTI-SCALE SYSTEM		PART NO.: SEE TABLE	
		FRACTIONAL ANGULAR #10 DECIMAL INCHES XXXX.XX ±.00175 XXX.X ±.005 COMMON ANGLES 1/4, 1/2, 3/4, 1, 1 1/4, 1 1/2, 2, 2 1/2, 3, 3 1/2, 4, 5, 6, 8, 10, 12, 15, 20, 24, 30, 36, 45, 60, 75, 90, 108, 120, 135, 150, 180 SURFACE FINISH 125 ±0.001 125 ±0.001	DWG BY: JR CHD BY: RL	DATE: 5/24/2021 DATE: 5/24/2021	SCALE: NTS SHEET: 1 OF 1	SUPERSEDES: SEE TABLE	MATERIAL: N/A



CLIENT PROJECT SIGN-OFF	
JOB NAME:	
JOB LOCATION:	
CONTRACTOR:	
CONTRACTOR APPROVAL:	
CONTRACTOR APPROVAL DATE:	
CONTRACTOR PO NO:	
ENGINEER:	
ENGINEER APPROVAL:	
ENGINEER APPROVAL DATE:	