

- NOTES:
- ALL DIMENSIONS SHOWN IN TABLE ARE IN INCHES, UNLESS OTHERWISE NOTED & ARE ± 1 INCH (25MM).
 - ALL ITEMS SHOWN IN PHANTOM LINE ARE TO BE PROVIDED BY OTHERS.
 - ALL DIMENSIONS ARE SUBJECT TO CHANGE WITHOUT ANY NOTICE.
 - INSTALL UNIONS FITTINGS ON INLET, OUTLET & DRAIN PLUMBING CONNECTIONS.
 - PROVIDE A 2 FEET MINIMUM CLEARANCE ABOVE MINERAL TANK FOR FILLING MEDIA.
 - A GFCI EQUIPT ELECTRICAL OUTLET SHOULD BE PROVIDED WITHIN 5 FEET OF EQUIPMENT LOCATION.
 - USE DIELECTRIC UNIONS ON PLUMBING CONNECTIONS OF CONTROL VALVE WHEN DISSIMILAR METALS ARE PRESENT.
 - PROVIDED SYSTEM SHALL NOT BE SUBJECT TO ANY VACUUM. IF RISK OF VACUUM IS PRESENT, INSTALL SIPHON BREAK ON DRAIN LINE & INSTALL VACUUM RELIEF VALVE WATTS ORDERING CODE # 0556031 ON INLET LINE.
 - BRINE TANK DIMENSIONS SHOWN ON TABLE ARE FACTORY SELECTED FOR USE WITH THE SPECIFIED SYSTEM SIZE.
 - DO NOT INSTALL DRAIN LINE DIRECTLY TO A DRAIN. FOR PROPER DRAIN CONNECTION FOLLOW ALL NATIONAL, STATE AND LOCAL CODES. DO NOT CONSTRUCT DRAIN LINE TO ELEVATIONS THAT EXCEED 4 FEET ABOVE THE CONTROL VALVE'S DRAIN PORT.
 - THE FULL WEIGHT OF THE PIPING AND VALVES MUST BE SUPPORTED BY PIPE HANGERS OR OTHER MEANS.
 - INLET AND OUTLET HEADERS NEED TO BE SIZED ACCORDING TO FLOW RATE REQUIREMENTS BY OTHERS.
 - POWER REQUIREMENTS: 115V/60HZ 2.7 AMPS PER CONTROL VALVE UNLESS OTHERWISE SPECIFIED.
 - BRINE TANK MUST BE LOCATED WITHIN 10 FEET OF SYSTEM CONTROL VALVE AND ON A COMMON FLOOR ELEVATION WITH MINERAL TANK TO ENSURE PROPER BRINE DRAW OPERATION.
 - USE A MINIMUM OF 1 INCH SCH 40 PVC PIPING FOR CONSTRUCTION OF BRINE LINE.
 - LIMIT INLET PRESSURE TO NOT EXCEED MAXIMUM PUBLISHED OPERATING PRESSURE.

SERIES HC-300 SIMPLEX DIMENSION (INCHES) & SPECIFICATIONS

MODEL NO.	ORDERING CODES (EDP NO.)	MINERAL TANK SIZE	INLET	OUTLET	OVERALL HEIGHT (SEE NOTE 5)	OVERALL DEPTH	OVERALL WIDTH	MINIMUM INLET PIPE DISTANCE	BRINE TANK (SEE NOTE 9)	CONTROL VALVE INLET/OUTLET PIPE SIZE (NPT)	DRAIN CONN. SIZE (NPT)	SERVICE FLOW GPM @ 15 PSI DROP	PEAK SERVICE FLOW GPM @ 25 PSI DROP	DRAIN FLOW RATE (GPM)	MIN/MAX OPERATING TEMP F°	MIN/MAX OPERATING PRESSURE (PSI)	ESTIMATED OPERATING WEIGHT (LBS)	ESTIMATED SHIPPING WEIGHT (LBS)
M4110B-39NT	68105467	24 X 72	79.44	79.44	95.25	24.5	28.63	7.0	30 X 50	3.0	1.0	120	170	15	34/110	25/125	3356	1070
M4112B-39NT	68105480	30 X 72	81.44	81.44	96.75	30.13	31.38	9.5	39 X 48	3.0	1.5	158	212	25	34/110	25/125	5157	1600
M4114B-39NT	68105493	36 X 72	87.25	87.25	101	36.13	36.13	12.0	39 X 60	3.0	1.5	185	250	35	34/110	25/125	6661	2015
M4116B-39NT	68105504	42 X 72	95.25	95.25	108	44	44	14.5	42 X 60	3.0	2.0	200	268	50	34/110	25/125	8861	3245
M4118B-39NT	68105516	48 X 72	99.63	99.63	112.38	50.38	50.38	17.0	50 X 60	3.0	2.0	213	280	60	34/110	25/125	12197	4295

WATTS 815 CHESTNUT ST. NORTH ANDOVER, MA 01845

THIS DRAWING IS THE PROPERTY OF WATTS TECHNOLOGIES, INC. AND MAY NOT BE USED OR REPRODUCED TO OTHERS WITHOUT THE PRIOR WRITTEN CONSENT OF WATTS TECHNOLOGIES, INC.

LIMITS UNLESS SPECIFIED: FRACTIONAL ANGULAR 1/16" 3/16" 1/8" 1/4" 3/8" 1/2" 5/8" 3/4" 1" 1 1/4" 1 1/2" 2" 2 1/2" 3" 4" 6" 8" 10" 12" 14" 16" 18" 20" 24" 30" 36" 42" 48" 60" 72" 96" 120" SURFACE FINISH: UNLESS OTHERWISE SPECIFIED: 125 ± 0.008 RMS

DO NOT SCALE DRAWING

TITLE: GENERAL INSTALLATION, HC-300 SIMPLEX 3" WATER SOFTENER

PART NO.: SEE TABLE

MATERIAL: N/A

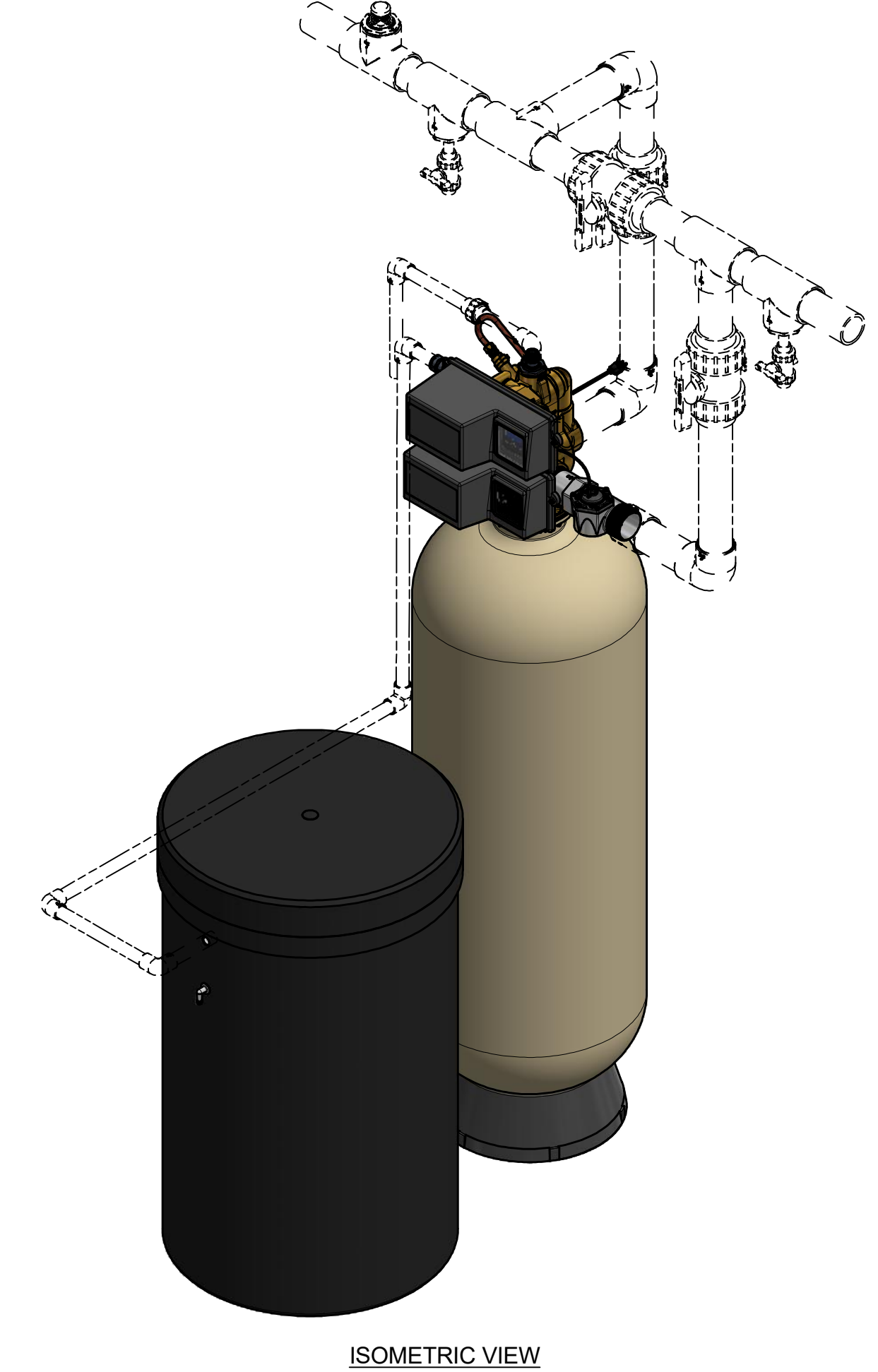
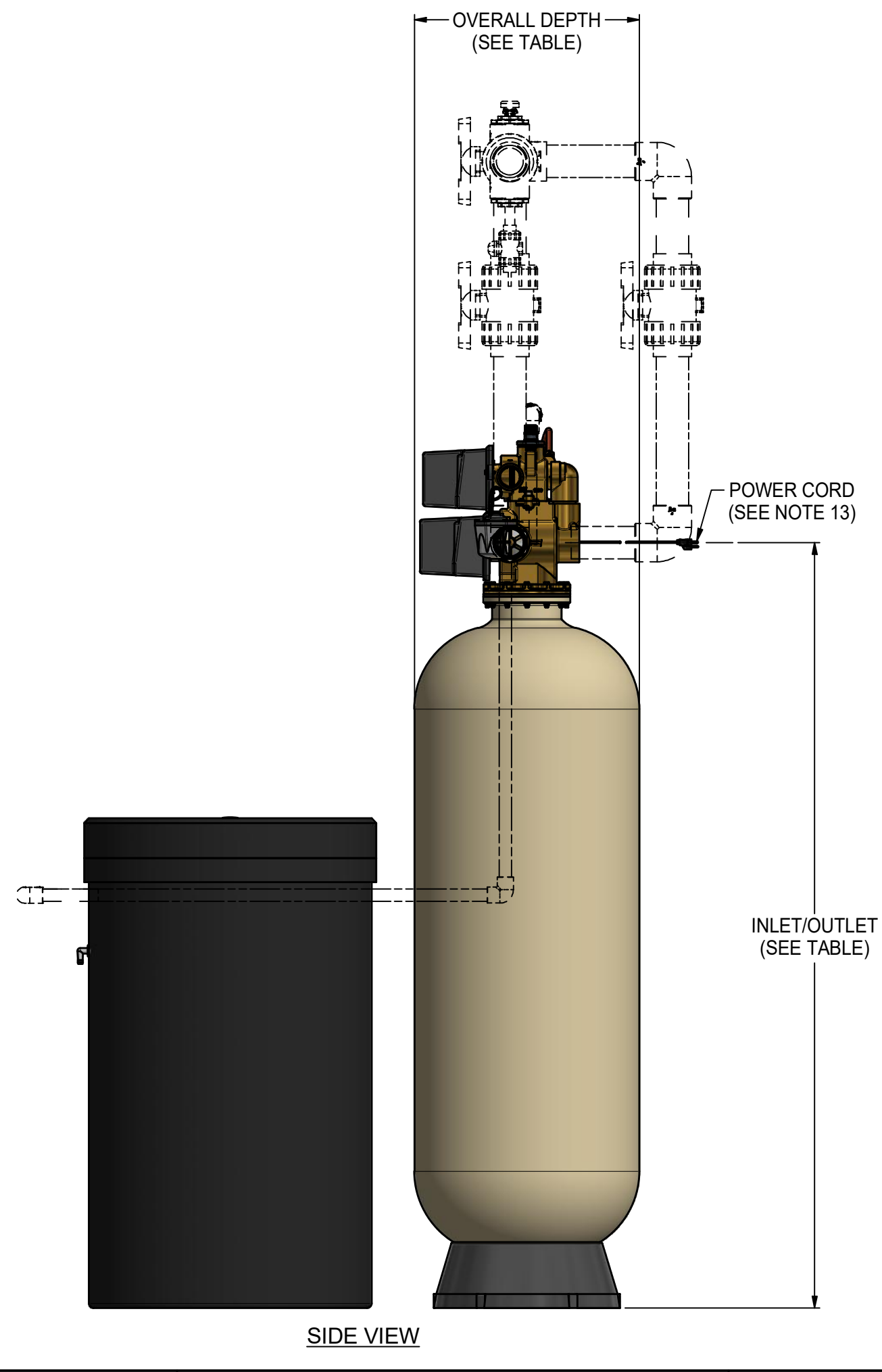
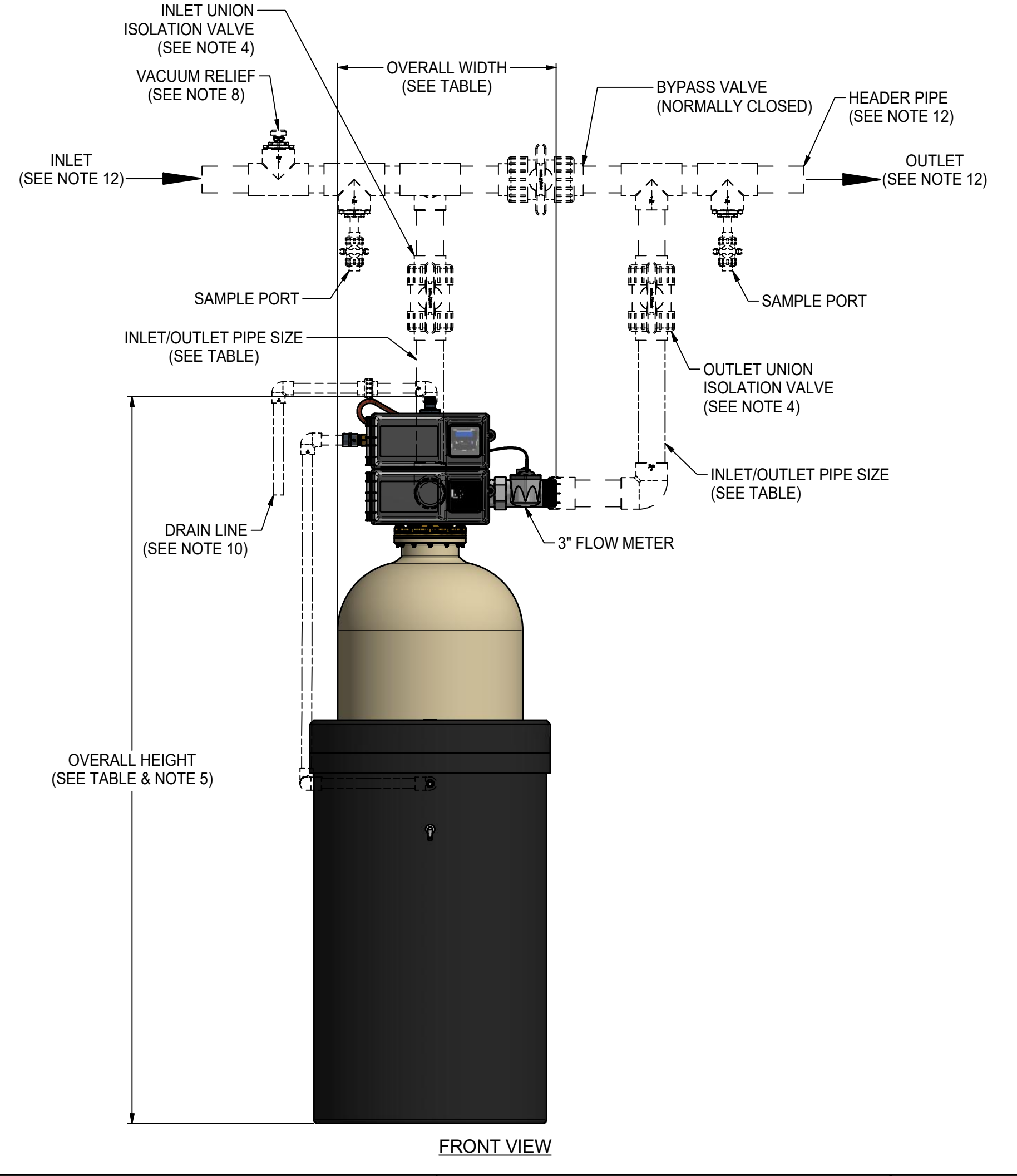
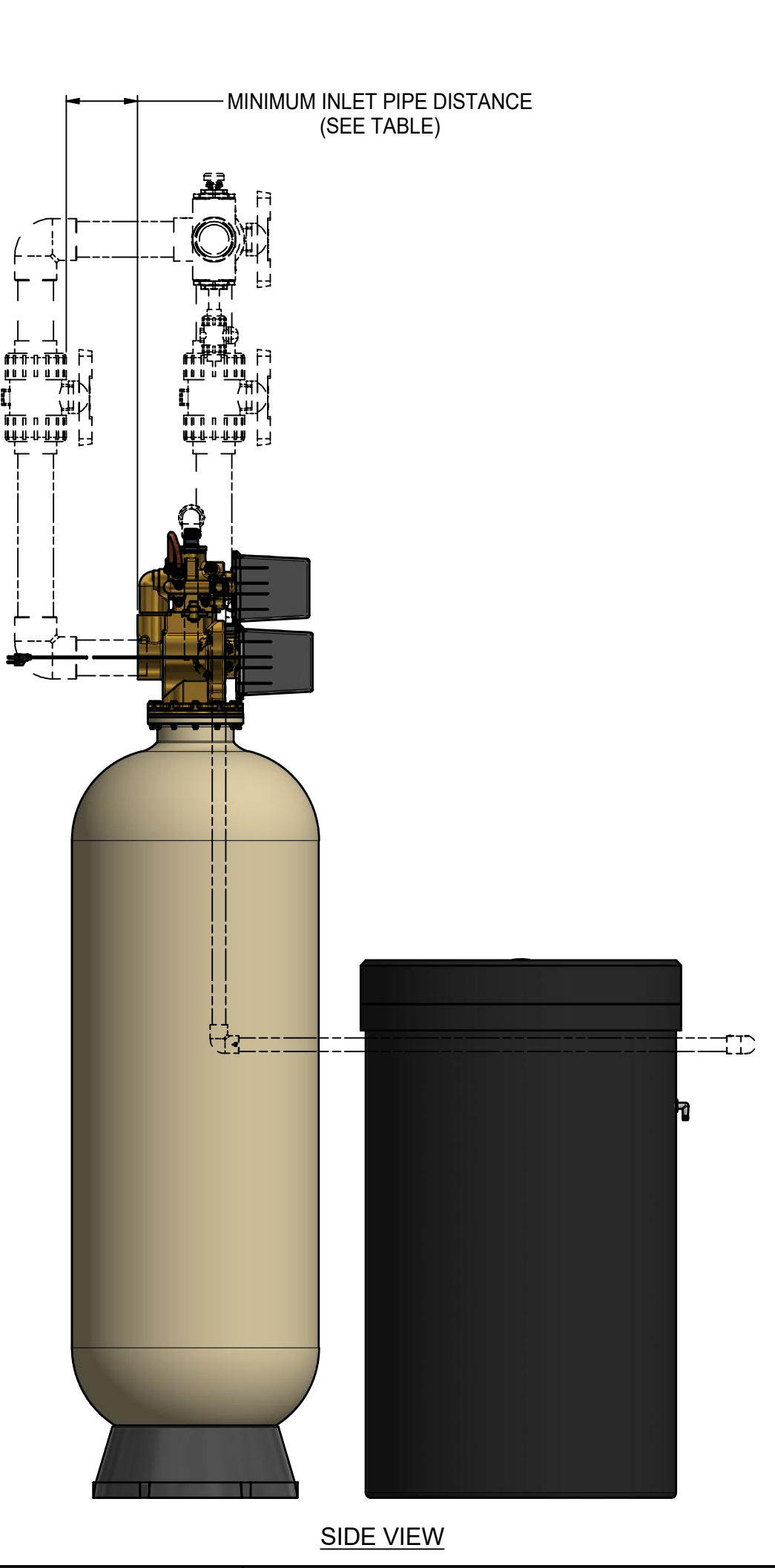
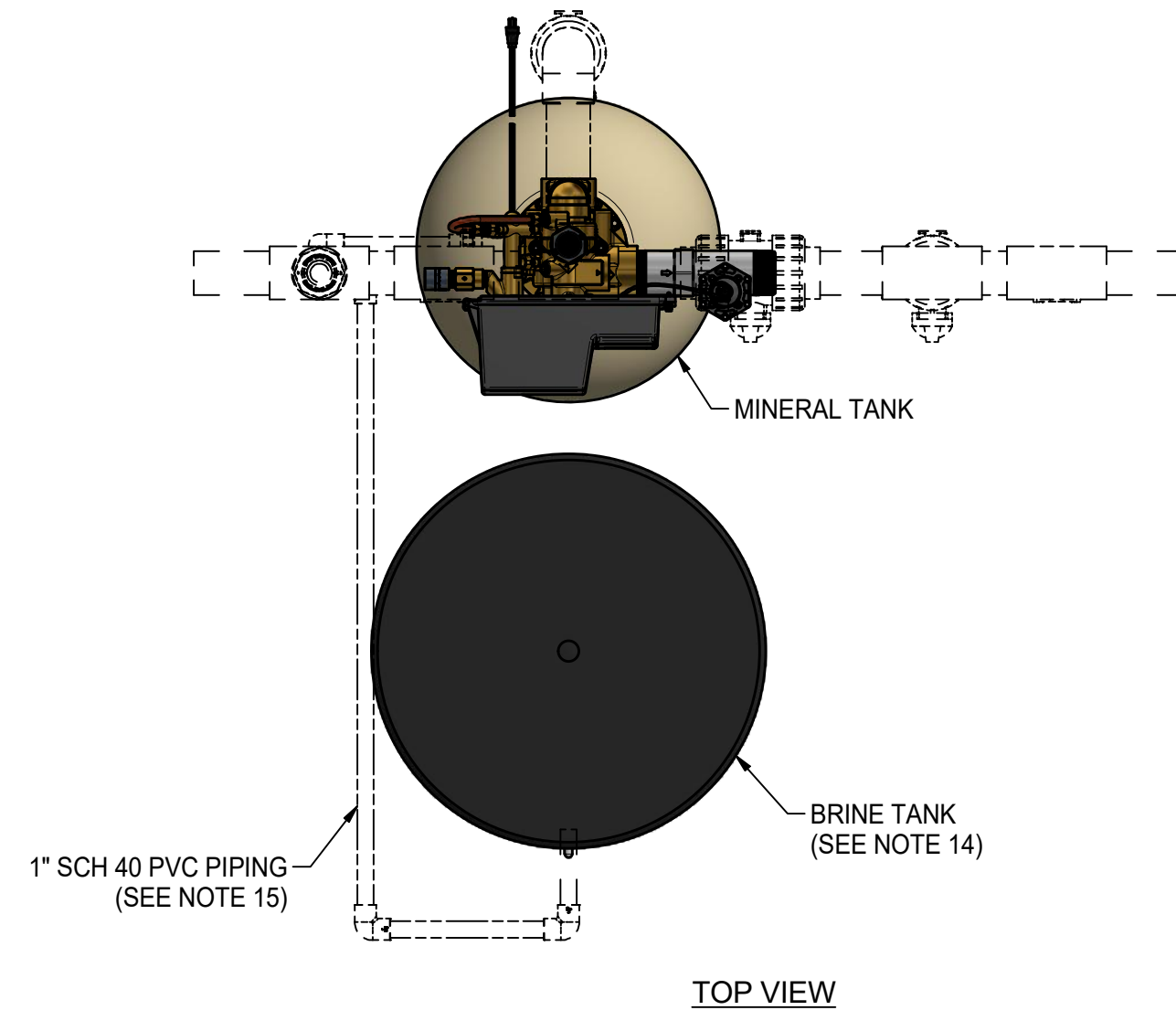
OTHER: ESTIMATED WEIGHT: N/A

EDP NO.: SEE TABLE

FILE TYPE: CAD

SIZE: D

REV: 1



CLIENT PROJECT SIGN-OFF

JOB NAME:	
JOB LOCATION:	
CONTRACTOR:	
CONTRACTOR APPROVAL:	
CONTRACTOR APPROVAL DATE:	
CONTRACTOR PO NO:	
ENGINEER:	
ENGINEER APPROVAL:	
ENGINEER APPROVAL DATE:	