

DUPLIX TABLE										TRIPLEX TABLE									
MODEL NO.	ORDERING CODES (EDP NO.)	MINERAL TANK SIZE	INLET (A)	OUTLET (B)	DRAIN (H)	OVERALL HEIGHT (C)	OVERALL DEPTH (D)	OVERALL WIDTH (E)	BRINE TANK (F & G)	MODEL NO.	ORDERING CODES (EDP NO.)	MINERAL TANK SIZE	INLET (A)	OUTLET (B)	DRAIN (H)	OVERALL HEIGHT (C)	OVERALL DEPTH (D)	OVERALL WIDTH (E)	BRINE TANK (F & G)
M4048TI-PPSM	68110288	18 X 65	72.50	57.00	77.00	87.00	42.00	82.00	24 X 41	M4048TR-PPSM	68110287	18 X 65	75.50	60.00	80.00	90.00	42.00	114.00	24 X 41
M4052TI-PPSM	68105423	21 X 62	75.50	60.00	80.00	90.00	42.00	82.00	24 X 50	M4052TR-PPSM	68105425	21 X 62	75.50	60.00	80.00	90.00	42.00	114.00	24 X 50
M4058TI-PPSM	68105438	24 X 72	78.50	63.00	83.00	95.00	42.00	82.00	30 X 50	M4058TR-PPSM	68105440	24 X 72	78.50	63.00	83.00	95.00	42.00	114.00	30 X 50
M4059TI-PPSM	68105451	30 X 72	84.50	69.00	89.00	100.00	48.00	102.00	39 X 48	M4059TR-PPSM	68105453	30 X 72	84.50	69.00	89.00	100.00	48.00	114.00	39 X 48
M4060TI-PPSM	68105463	36 X 72	90.00	75.00	95.00	100.00	48.00	102.00	39 X 60	M4060TR-PPSM	68105465	36 X 72	90.00	75.00	95.00	100.00	48.00	114.00	39 X 60

TWIN ALTERNATING TABLE										QUADPLEX TABLE									
MODEL NO.	ORDERING CODES (EDP NO.)	MINERAL TANK SIZE	INLET (A)	OUTLET (B)	DRAIN (H)	OVERALL HEIGHT (C)	OVERALL DEPTH (D)	OVERALL WIDTH (E)	BRINE TANK (F & G)	MODEL NO.	ORDERING CODES (EDP NO.)	MINERAL TANK SIZE	INLET (A)	OUTLET (B)	DRAIN (H)	OVERALL HEIGHT (C)	OVERALL DEPTH (D)	OVERALL WIDTH (E)	BRINE TANK (F & G)
M4018TA-PPSM	68110283	18 X 65	72.50	57.00	77.00	87.00	42.00	82.00	24 X 41	M4048QD-PPSM	68110286	18 X 65	72.50	57.00	77.00	87.00	42.00	150.00	24 X 41
M4052TA-PPSM	68105421	21 X 62	75.50	60.00	80.00	90.00	42.00	82.00	24 X 50	M4052QD-PPSM	68105418	21 X 62	75.50	60.00	80.00	90.00	42.00	150.00	24 X 50
M4058TA-PPSM	68105436	24 X 72	78.50	63.00	83.00	95.00	42.00	82.00	30 X 50	M4058QD-PPSM	68105434	24 X 72	78.50	63.00	83.00	95.00	42.00	150.00	30 X 50
M4059TA-PPSM	68105449	30 X 72	84.50	69.00	89.00	100.00	48.00	102.00	39 X 48	M4059QD-PPSM	68105447	30 X 72	84.50	69.00	89.00	100.00	48.00	150.00	39 X 48
M4060TA-PPSM	68105461	36 X 72	90.00	75.00	95.00	100.00	48.00	102.00	39 X 60	M4060QD-PPSM	68105459	36 X 72	90.00	75.00	95.00	100.00	48.00	150.00	39 X 60

WATTS 815 CHESTNUT ST. NORTH ANDOVER, MA 01845

THIS DRAWING DISCLOSES CONFIDENTIAL AND OTHER DATA OF A PROPRIETARY NATURE OWNED BY WATTS WATER TECHNOLOGIES, INC. AND MAY NOT BE USED OR REPRODUCED WITHOUT THE PRIOR WRITTEN CONSENT OF WATTS WATER TECHNOLOGIES, INC.

DWG BY: JR DATE: 3/19/2021 SCALE: NTS SHEET: 1 OF 1 SUPERSEDES:

LIMITS UNLESS SPECIFIED:
 FRACTIONAL: 1/16"
 DECIMAL: 0.0001"
 ANGULAR: 10"
 SURFACE FINISH: 32 RMS
 DIMENSIONS: UNLESS OTHERWISE SPECIFIED

TITLE: SERIES HCP-200-PPSM / HCTA-200-PPSM PROGRESSIVE 2" WATER SOFTENERS

MATERIAL: N/A

OTHER: ESTIMATED WEIGHT: SEE TABLE

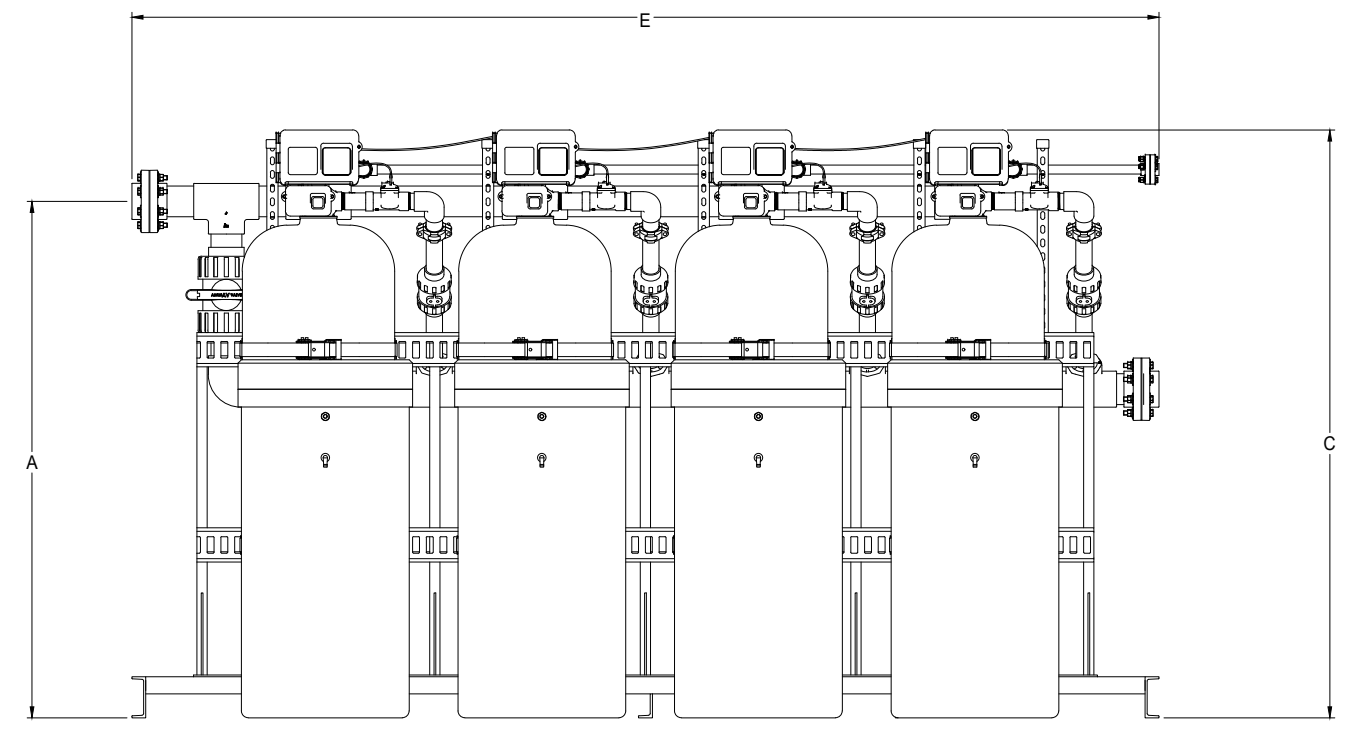
PART NO.: SEE TABLE

EOP NO.: SEE TABLE

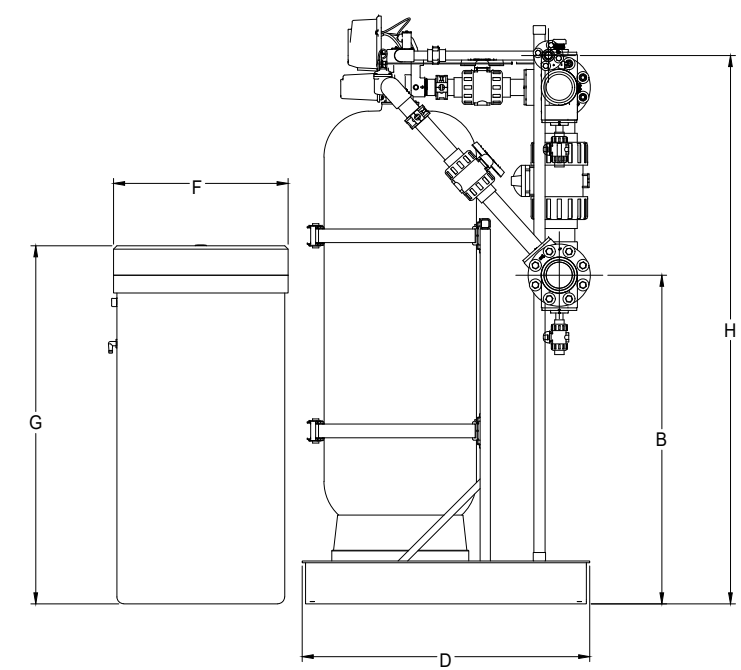
FILE TYPE: INVENTOR

SIZE: D

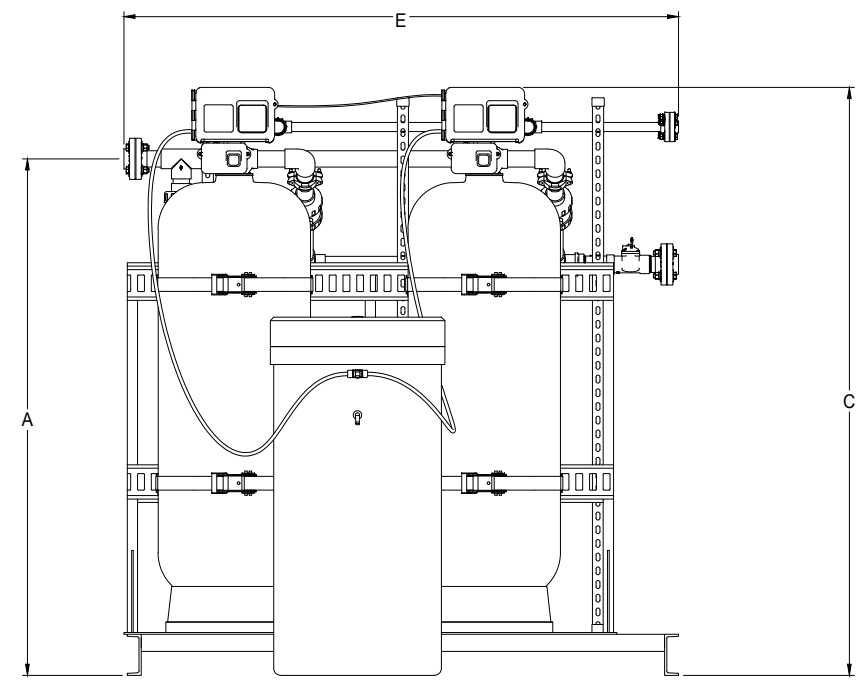
REV: 1



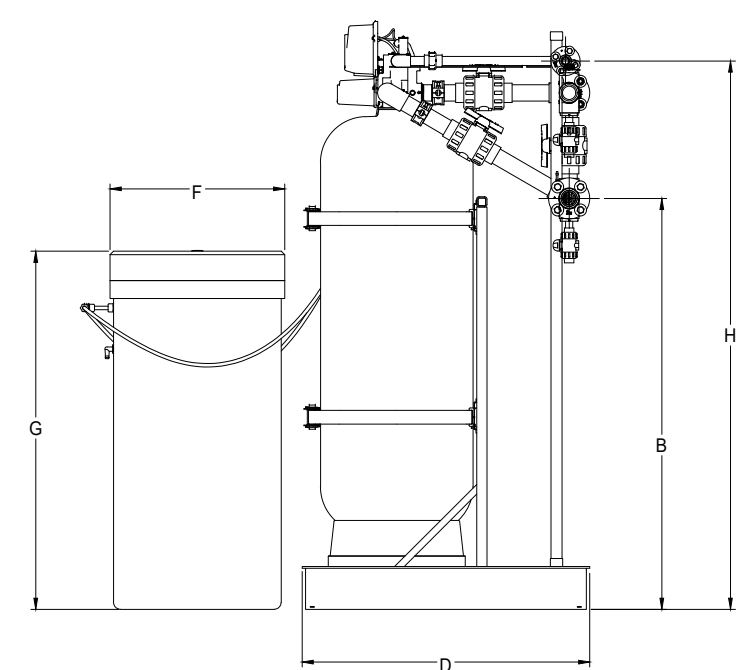
FRONT VIEW



SIDE VIEW



FRONT VIEW



SIDE VIEW

NOTE:
 DIMENSIONS ARE SUBJECT TO CHANGE WITHOUT NOTICE
 BRINE TANKS NOT ADDED TO OVERALL WIDTH