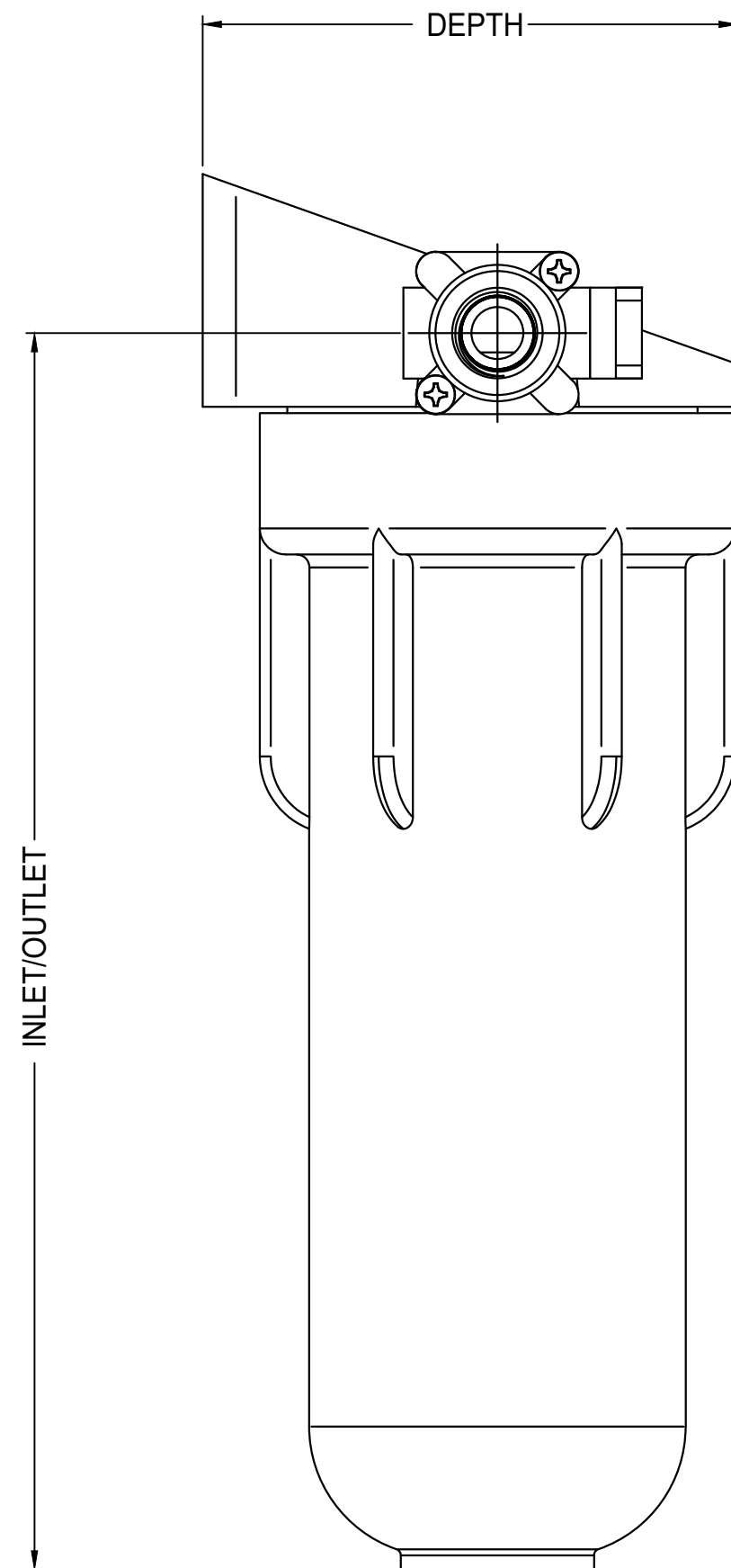
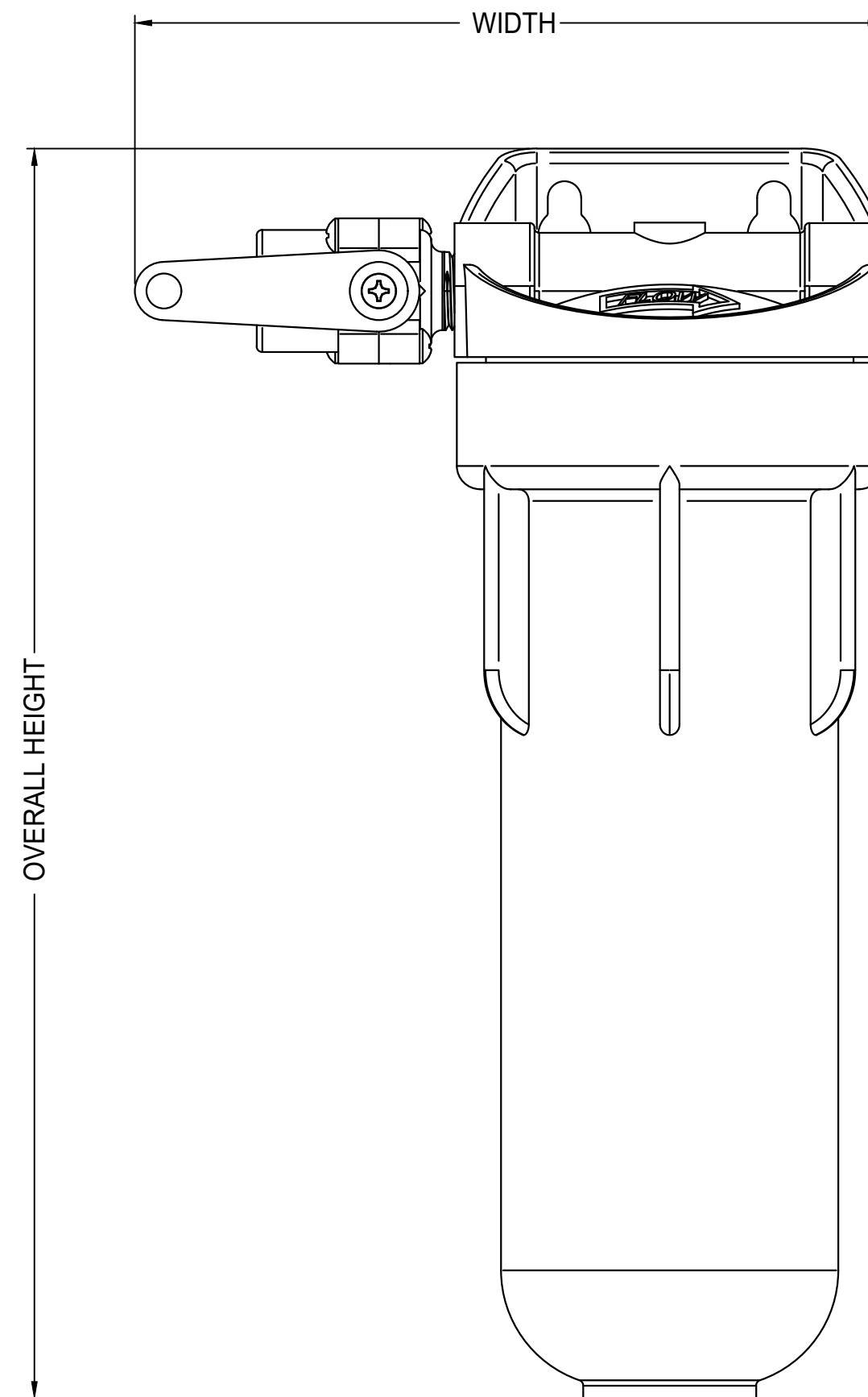


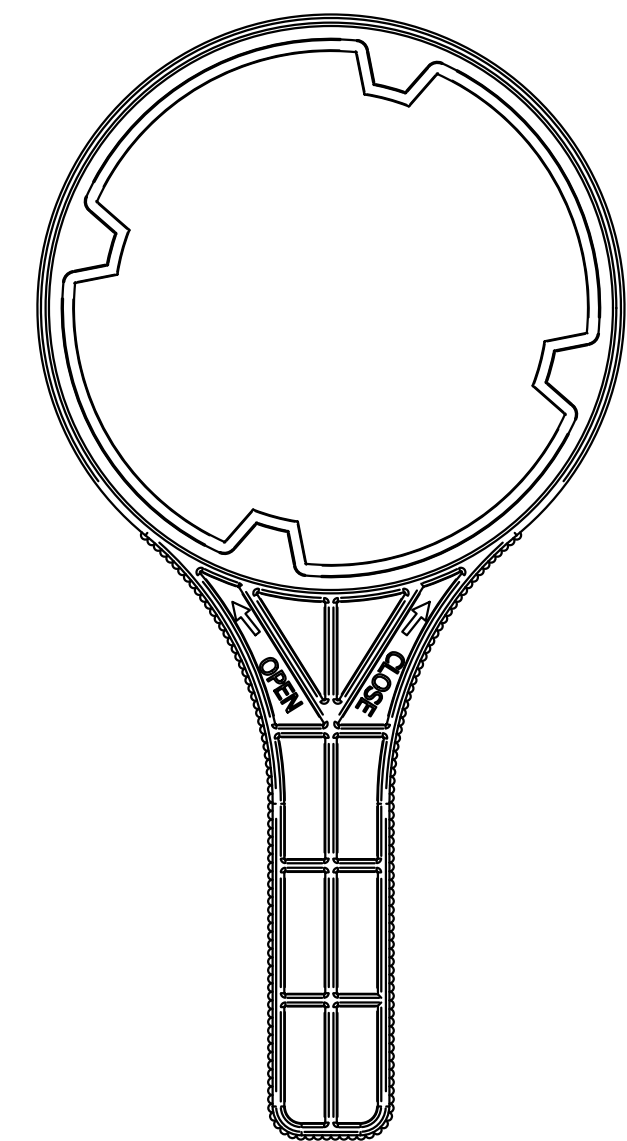
ONEFLOW® SERIES						
MODEL NO.	ORDERING CODES	INLET	OUTLET	OVERALL HEIGHT	OVERALL DEPTH	OVERALL WIDTH
OF110-1	0002148	12.0	12.0	13.5	5.15	8.0
OF120-2	0002149	22.2	22.2	23.6	5.54	7.75
OF140-4	0002150	22.3	22.3	28.1	8.00	9.80



SIDE VIEW



FRONT VIEW



NOTE:
DIMENSIONS ARE SUBJECT TO CHANGE WITHOUT NOTICE

CONFIDENTIAL & PROPRIETARY

This Document including all information contained thereon is the exclusive and confidential property of Watts Water Technologies. This Document and its information are not to be copied, reproduced or delivered to others in whole or part without the expressed written consent and is loaned subject to return on demand. All rights to design and invention are reserved.



OneFlow SERIES

DRAWN BY:	J.RIVAS
SCALE:	NOT TO SCALE
DATE:	5/12/2021
DWG No.	ONEFLOW SERIES