

Job Name _____

Contractor _____

Job Location _____

Approval _____

Engineer _____

Contractor's P.O. No. _____

Approval _____

Representative _____

LEAD FREE*

Series 408-OSYRW Outside Stem and Yoke, Resilient Wedge, Flanged Gate Valves

Sizes 2 1/2" – 12" – Epoxy Coated

Series 408-OSYRW Outside Stem and Yoke Resilient Wedge Flanged Gate Valves are available in sizes 2 1/2"-12" The valve body is fusion bonded powder coated cast iron and is operated by a handwheel. The resilient wedge disc design offers positive seating and resistance against high differential pressure. Series 408-OSYRW is best suited for service in either the fully open or closed position. It is also suitable for use as a throttling valve. This series is recommended for fire main shutoff and distribution service. The 408-OSYRW features Lead Free* construction to comply with Lead Free* installation requirements.



Features

- ASTM A126 Class B Cast Iron
- Full port flow, low head loss
- Fusion bonded coating, internal and external
- Encapsulated resilient wedge
- Easy in-line service
- Replaceable disc
- Boss tapped and plugged
- MSS-SP-70 conformance

Specifications

Valve shall be manufactured out of ASTM A126 Class B cast iron and comply with MSS-SP-70. Valve shall be pressure rated to 250psi (17 bar) CWP non-shock and have flanged ends. Valve shall have an outside stem and yoke, full port flow, replaceable disc and fusion bonded coating. Lead Free* Outside Stem and Yoke, Resilient Wedge, Flanged Gate Valves shall be constructed using Lead Free* materials. Lead Free 408-OSYRW shall comply with state codes and standards, where applicable, requiring reduced lead content. Valve shall be a Watts Series 408-OSYRW.

Approvals

Listed





AWWA C509

Standards

Face-to-face dimensions of the valves comply with the American Standard for face-to-face dimensions (ANSI B16.10) for Class 125 cast iron flanged valves.

End Flanges: The dimensions and drilling of end flanges conform to the American cast iron flange standard, Class 125 (ANSI B16.1). The flanges are flat faced and smooth finished.

NOTICE

The information contained herein is not intended to replace the full product installation and safety information available or the experience of a trained product installer. You are required to thoroughly read all installation instructions and product safety information before beginning the installation of this product.

NOTICE

Inquire with governing authorities for local installation requirements.

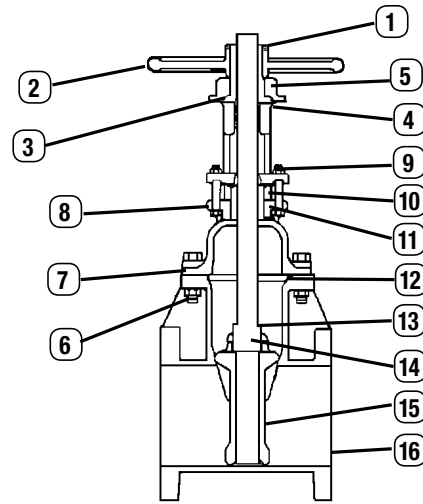
*The wetted surface of this product contacted by consumable water contains less than 0.25% of lead by weight.

Watts product specifications in U.S. customary units and metric are approximate and are provided for reference only. For precise measurements, please contact Watts Technical Service. Watts reserves the right to change or modify product design, construction, specifications, or materials without prior notice and without incurring any obligation to make such changes and modifications on Watts products previously or subsequently sold.



Parts - Materials

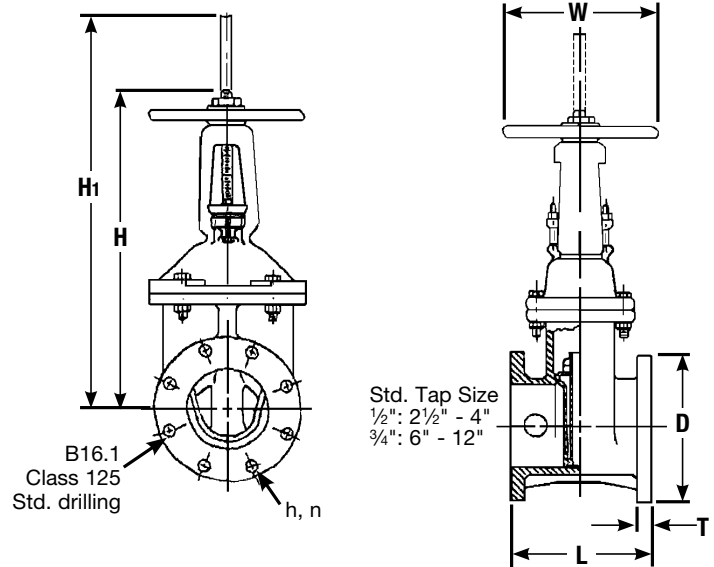
No.	Parts	Material	ASTM Designation
1	Handwheel Nut	Bronze (AWWA Grade A)	B584 CDA 8454
2	Handwheel	Cast Iron	A126 Class B
3	Upper Thrust Washer	Brass	B36 CDA 26D
4	Lower Thrust Washer	Nylatron	
5	Yoke Nut	Manganese Bronze	B584 CDA 862
6	Hex. Head Cover, Bolt & Nuts	Zinc Plated Steel	A307/A563
7	Bonnet	Cast Iron	A126 Class B
8	Packing Bolts	Zinc Plated Steel	A307
9	Packing Bolt Nuts	Brass	A563
10	Packing Gland	Cast Iron	A126 Class B
11	Packing	Graphite Impregnated Square Rope	
12	O-ring	Buna-N	
13	O-ring (Stem)	Buna-N	
14	Stem Assembly	Bronze	B584/B21
15	Wedge Disc	CI SBR Coated	A126 Class B
16	Body	Cast Iron	A126 Class B



Pressure - Temperature

250psi CWP, non-shock

Maximum Temperature: 140°F (60°C)



Dimensions - Weights

SIZE	FLANGE DIMENSIONS										WEIGHT						
	L		D		BOLT HOLES		T		H				H1				
in	in	mm	in	mm	in	mm	#of Holes	in	mm	in	mm	in	mm	lbs.	kgs.		
2½	7½	191	7	178	5/8	16	4	11/16	18	7¼	184	13⅞	352	16⅞	416	55	25
3	8	200	7½	191	5/8	16	4	¾	19	10	254	15⅞	397	18⅞	479	70	32
4	9	229	9	229	5/8	16	8	15/16	24	10	254	18¼	464	22¾	578	100	46
6	10½	267	11	279	¾	19	8	1	25	12	305	23¾	603	30⅞	765	150	82
8	11½	292	13½	343	¾	19	8	1⅛	29	14	356	29¼	743	37¾	959	250	114
10	13	330	16	406	7/8	22	12	1⅜	30	18	457	35⅞	899	45¾	1162	400	182
12	14	356	19	483	7/8	22	12	1¼	32	18	457	40⅞	1032	53⅞	1349	580	263



USA: T: (978) 689-6066 • F: (978) 975-8350 • Watts.com

Canada: T: (905) 332-4090 • F: (905) 332-7068 • Watts.com

Latin America: T: (52) 81-1001-8600 • Watts.com