

ACV Schematic

LEAD FREE*

S118-4 (Globe)

Non Surge Check Valve (6" and Larger)

Features

- Valve closes when downstream pressure is greater than upstream pressure
- Valve opens when upstream pressure is greater than downstream pressure
- Opening and Closing Speed are separately adjustable

Standard Components

- 1 - Main Valve (S100 - Single Chamber)
- 2 - Check Valve
- 3 - Adjustable Opening Speed
- 4 - Adjustable Closing Speed
- X - Isolation Cocks

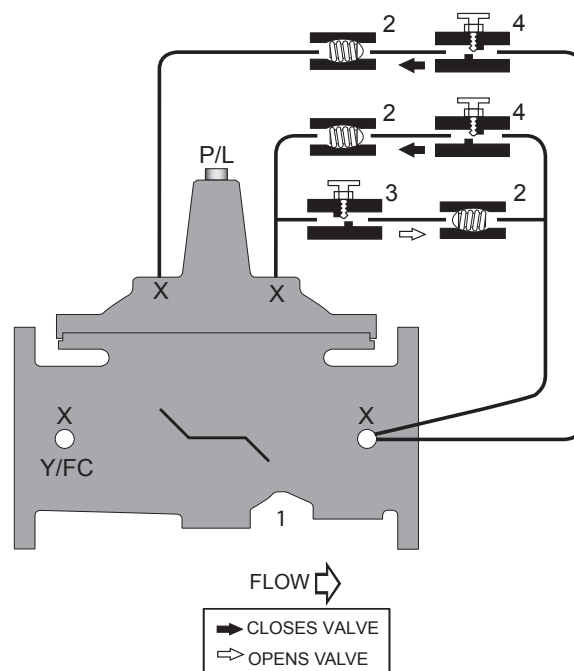
Options and Accessories

- P - Position Indicator
- L - Limit Switch

Operation

The ACV Non-Surge Check Valve is designed to control pipeline surges caused by flow reversal by slowly opening and closing at separate adjustable rates. The valve opens when upstream pressure is greater than downstream pressure. When upstream pressure is greater than downstream pressure, the Adjustable Opening Speed Control allows fluid out of the main valve cover chamber, providing a controlled rate of opening. When a pressure reversal occurs and downstream pressure becomes higher than upstream pressure, the two Adjustable Closing Speed Controls allows the higher downstream pressure to enter the main valve cover chamber, providing a controlled rate of closure.

NOTE: A maximum pipeline velocity of six feet-per-second is recommended when installing this type of check valve. When pipeline velocities exceed six FPS, consideration should be given to adding an ACV Model 116 Pressure Relief Valve or Model 116-52 Combination Surge Anticipator and Pressure Relief Valve to the system.



*The wetted surface of this product contacted by consumable water contains less than 0.25% of lead by weight.

NOTICE

The information contained herein is not intended to replace the full product installation and safety information available or the experience of a trained product installer. You are required to thoroughly read all installation instructions and product safety information before beginning the installation of this product.

Watts product specifications in U.S. customary units and metric are approximate and are provided for reference only. For precise measurements, please contact Watts Technical Service. Watts reserves the right to change or modify product design, construction, specifications, or materials without prior notice and without incurring any obligation to make such changes and modifications on Watts products previously or subsequently sold.

USA: Tel: (713) 943-0688 • Fax: (713) 944-9445 • Watts.com

Canada: Tel: (905) 332-4090 • Fax: (905) 332-7068 • Watts.ca

Latin America: Tel: (52) 81-1001-8600 • Fax: (52) 81-8000-7091 • Watts.com

SCH-ACV-S118-4 1626

© 2016 Watts