

# For Commercial Applications

Job Name \_\_\_\_\_  
 Job Location \_\_\_\_\_  
 Engineer \_\_\_\_\_  
 Approval \_\_\_\_\_  
 Tag \_\_\_\_\_

Contractor \_\_\_\_\_  
 Approval \_\_\_\_\_  
 Contractor's P.O. No. \_\_\_\_\_  
 Representative \_\_\_\_\_

## CB-624/CB-2424

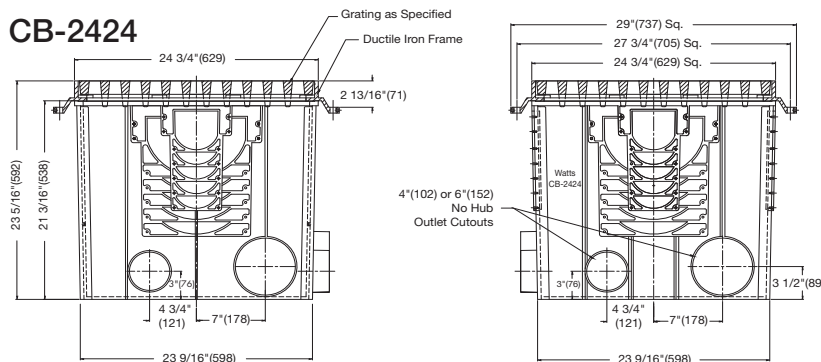
### Dead Level® Trench Drain System

### Catch Basins

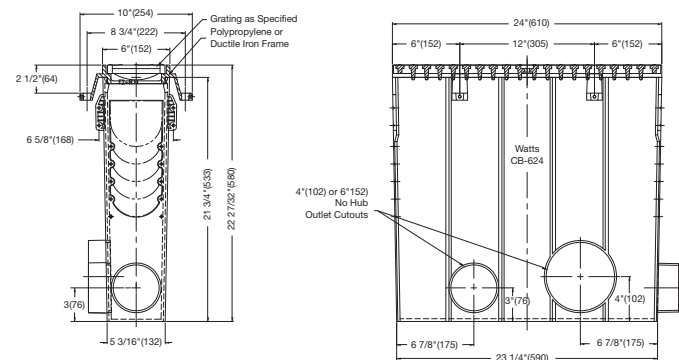
#### Specification

Watts CB-624/CB-2424 Catch Basin for Dead Level® Pre-Sloped Trench Drain System, 6"(152) or 24"(610) (specify) wide x 24"(610) long x 24"(610) deep, with UV stabilized talc-filled polypropylene body with 4"(102) and 6"(152) no hub outlet connections, and polypropylene (6" wide only) or ductile iron frame. Catch Basin shall be frame-anchored with (specify) grating and lockdowns to suit DIN Class (specify) load rating. Installation to be performed in accordance with manufacturer's recommendations.

#### CB-2424



#### CB-624



**Please refer to watts.com for BAA information on specific models.**

Watts product specifications in U.S. customary units and metric are approximate and are provided for reference only. For precise measurements, please contact Watts Technical Service. Watts reserves the right to change or modify product design, construction, specifications, or materials without prior notice and without incurring any obligation to make such changes and modifications on Watts products previously or subsequently sold.

Suffix	Grate Options Description	Load Class
<b>CB-624P 6x24x24" w/Polypropylene Frame</b>		
-BR	Decorative Bronze	Class B <input type="checkbox"/>
-DI	Ductile Iron	Class C <input type="checkbox"/>
-DI-ADA	Ductile Iron ADA	Class C <input type="checkbox"/>
-PP	Polypropylene	Class A <input type="checkbox"/>
-GP	Galvanized Perforated	Class A <input type="checkbox"/>
-GS	Galvanized Slotted	Class A <input type="checkbox"/>
-RGP	Reinforced Galvanized Perforated	Class C <input type="checkbox"/>
-RGS	Reinforced Galvanized Slotted	Class C <input type="checkbox"/>
-SP	Stainless Steel Perforated	Class A <input type="checkbox"/>
-SS	Stainless Steel Slotted	Class A <input type="checkbox"/>
-RSP	Reinforced Stainless Steel Perforated	Class C <input type="checkbox"/>
-RSS	Reinforced Stainless Steel Slotted	Class C <input type="checkbox"/>
-SCI	Solid Cast Iron	Class C <input type="checkbox"/>
<b>CB-624D 6x24x24" w/Ductile Iron Frame</b>		
-BR	Decorative Bronze	Class B <input type="checkbox"/>
-DI	Ductile Iron	Class F <input type="checkbox"/>
-DI-ADA	Ductile Iron ADA	Class F <input type="checkbox"/>
-PP	Polypropylene	Class A <input type="checkbox"/>
-GP	Galvanized Perforated	Class A <input type="checkbox"/>
-GS	Galvanized Slotted	Class A <input type="checkbox"/>
-RGP	Reinforced Galvanized Perforated	Class C <input type="checkbox"/>
-RGS	Reinforced Galvanized Slotted	Class D <input type="checkbox"/>
-SP	Stainless Steel Perforated	Class A <input type="checkbox"/>
-SS	Stainless Steel Slotted	Class A <input type="checkbox"/>
-RSP	Reinforced Stainless Steel Perforated	Class D <input type="checkbox"/>
-RSS	Reinforced Stainless Steel Slotted	Class E <input type="checkbox"/>
-SCI	Solid Cast Iron	Class F <input type="checkbox"/>
<b>CB-2424 24x24x24" w/Ductile Iron Frame</b>		
-None	Ductile Iron	Class F <input type="checkbox"/>
-RGS	Reinforced Galvanized Slotted	Class F <input type="checkbox"/>
-RSS	Reinforced Stainless Steel	Class F <input type="checkbox"/>

Suffix	Options Description	
-T	Galvanized Trash Basket	<input type="checkbox"/>
-TSS	Stainless Steel Trash Basket	<input type="checkbox"/>

**NOTICE**

The information contained herein is not intended to replace the full product installation and safety information available or the experience of a trained product installer. You are required to thoroughly read all installation instructions and product safety information before beginning the installation of this product.



USA: T: (800) 338-2581 • F: (828) 248-3929 • Watts.com  
 Canada: T: (888) 208-8927 • F: (888) 479-2887 • Watts.ca  
 Latin America: T: (52) 55-4122-0138 • Watts.com